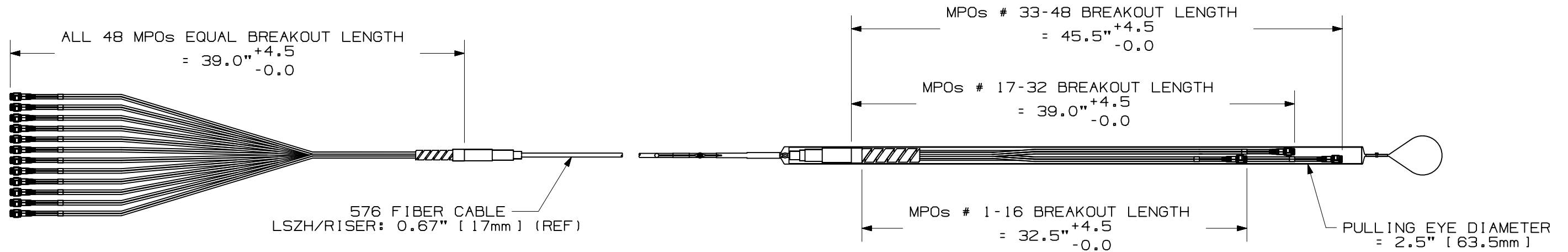


- NOTES:**
1. VISIT OUR ON-LINE CATALOG AT [WWW.PANDUIT.COM](http://WWW.PANDUIT.COM) FOR A LIST OF CURRENT PARTS APPLICABLE FOR USE WITH THIS PRODUCT.
  2. DIMENSIONS IN [ ] ARE METRIC.
  3. ALL MATERIALS AND COMPONENTS USED MEET THE MATERIAL RESTRICTIONS OF RoHS (EUROPEAN DIRECTIVE 2011/65/EU ON THE RESTRICTION OF HAZARDOUS SUBSTANCES) AS PROPOSED BY THE RoHS TECHNICAL ADAPTATION COMMITTEE.
  4. CONNECTORS MEET THE REQUIREMENTS OF TIA/EIA 568-D.
  5. PERFORMANCE LABELS FOR EACH CHANNEL ACCOMPANIES EACH CABLE ASSEMBLY.
  6. STANDARD BREAKOUT LENGTH SHOWN. CUSTOM BREAKOUT LENGTHS AVAILABLE UPON REQUEST.
  7. 576 FIBER CABLE IS RATED AS FOLLOWS: INDOOR/OUTDOOR, LSZH, EUROCLASS Cca-s1b, d0, a1, AND RISER (OFNR).
  8. THERE ARE 3 BREAKOUT LENGTHS FOR THE STAGGERED OPTION, WITH 16 MPOs AT EACH LENGTH.



**TABLE 1: 288-FIBER TRUNK PART NUMBER MATRIX**

1	2	3	4	5	6	7	8	9	10	11	12	13	14	15
F	B	B	N											

LENGTH:  
005 TO 999 M,  
016 TO 999 FT.

UNIT OF MEASURE:  
F = FEET (PLENUM ASSEMBLIES)  
M = METERS (LSZH ASSEMBLIES)

PULLING EYE:  
A = BLACK PULLING EYE, END A  
N = NO PULLING EYE

PERFORMANCE/POLARITY:  
A = POLARITY A, STANDARD IL  
B = POLARITY B, STANDARD IL

CONNECTOR VARIANT END A:  
D = 39.0" EQUAL BREAKOUT  
E = STAGGERED BREAKOUT AS SHOWN (32.5", 39.0", 45.5")  
N = NO VARIANT (PIGTAIL)

CONNECTORS END B:  
5 = 12 FIBER MPO FEMALE  
6 = 12 FIBER MPO MALE  
N = NO CONNECTOR (PIGTAIL)

CONNECTOR VARIANT END A:  
D = 39.0" EQUAL BREAKOUT  
E = STAGGERED BREAKOUT AS SHOWN (32.5", 39.0", 45.5")

CONNECTORS END A:  
5 = 12 FIBER MPO FEMALE  
6 = 12 FIBER MPO MALE

FLAME RATINGS:  
M = LSZH EUROCLASS Cca/RISER OFNR  
P = PLENUM OFNR

CABLE TYPE:  
N = INDOOR/OUTDOOR TRUNK

FIBER COUNT:  
0 = 576 FIBERS

FIBER TYPE:  
B = OS1/2 9/125um SINGLEMODE  
(CABLE SHOWN IS BEND-INSENSITIVE G.657.A2)

PRODUCT DESIGNATION:  
F=FIBER

00A	07-08-21	SAT	FJDU	EJH	INITIAL RELEASE	00598EAA-DC
REV	DATE	BY	CHK	APR	DESCRIPTION	ECN

PART NUMBER		SEE TABLE 1	
TITLE		576 FIBER CABLE ASSEMBLIES: OPTION 1. (48) 12F MPOs TO (48) 12F MPOs (PRE-TERM) OPTION 2. (48) 12F MPOs TO BLUNT END (PIGTAIL) CUSTOMER DRAWING	
ITEM REVISION NAME	00598EAA/01		
DATASET FILE NAME	00598EAA_DC/01A		
THIRD ANGLE PROJECTION			
MATERIAL	N/A	DRAWING NUMBER	
		00598EAA - DC	
DRAWN BY	DATE	CHK	SCALE
SAT	07-08-21	FJDU	NONE
SHEET 1 OF 1			SIZE
			B