



Product designation	Surge Protection Device (SPD)
Product type designation	SA1B
Operating voltage type	AC
Application	AC Power lines
Number of poles	3P
Number of DIN modules	6
Relay output	Yes
SPD according to IEC/EN 61643-11	YES

#### Electrical features

IEC Maximum continuous voltage $U_c$	V	320
IEC Impulse current $I_{imp}$ 10/350 (L-N/N-PE)	kA	25
IEC Maximum discharge current $I_{max}$ 8/20 (L-N/N-PE)	kA	100
IEC Rated discharge current (IEC) $I_n$ 8/20 (L-N/N-PE)	kA	25
IEC Voltage protection level $U_p$ (L-N/N-PE)	kV	<1.4
Temporary overvoltage (TOV) withstand $U_t$ (L-N for 5s)	V	334
Temporary overvoltage (TOV) safe fail (L-N for 120min)	V	438
IEC Residual voltage $U_{res}$ (L-N/N-PE) at 5kA (8/20)	kV	1.1
IEC Follow current $I_f$ (N-PE) rms	A	No
Tripping time $t_a$ (L-N/N-PE)	ns	<25
Thermal insulation protection		YES
IEC Backup protection fuse with supply line fuse >250A (L-N/N-PE)	Class/A	250A gL/gG
IEC Maximum short circuit current at 50Hz	kA	50
Status indicator - operating / end of life		Frontal indication/Aux contact

#### Ambient conditions

Operating temperature	min	°C	-40
	max	°C	+80
Max altitude		m	2000

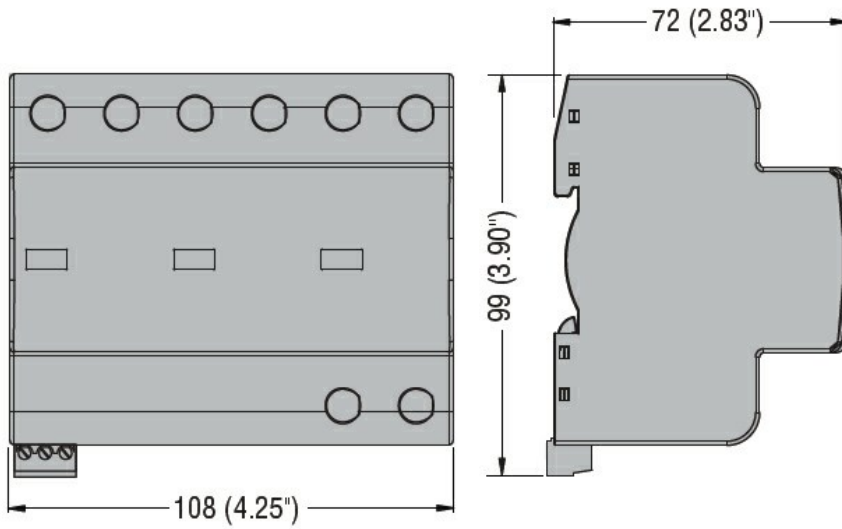
#### Mechanical features

Fixing		Din rail
Conductor section Flexible max (IEC)	mm <sup>2</sup>	25
Conductor section Rigid max (IEC)	mm <sup>2</sup>	35
Weight	g	595

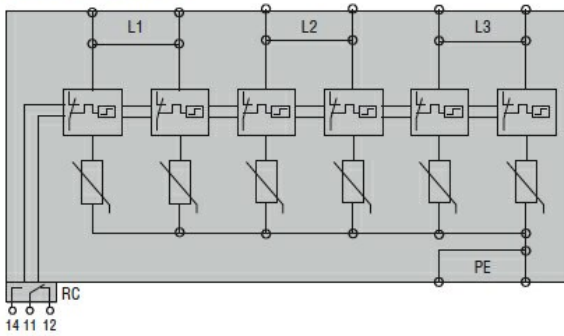
#### Relay output for remote status indication

Type of contact		CO	
Rated current at	125V AC	A	3
	250V AC	A	0.5
	125V DC	A	0.2
	250V DC	A	0.1

#### Dimensions



### Wiring diagrams



### Certifications and compliance

#### Compliance

IEC/EN 61643-11

#### Certificates

EAC

### ETIM classification

ETIM 8.0

EC000941 -  
Surge protection  
device for power  
supply systems