



Automatic transfer switch controller for 2 power sources, three phase control, with LCD display, 110...240VAC supply ATL600

Product designation

Product type designation

General characteristics

Number of controlled power sources	Nr.	2
Display		Backlit LCD graphic display 128x80 pixel
Languages	Nr.	5
Expandability		No
AC Power supply		
Rated supply voltage AC	VAC	110...240
Operating supply voltage range AC	VAC	90...264
Rated frequency	Hz	50/60
Operating frequency range	Hz	45...66
Immunity time for microbreakings		
	110VAC	ms ≤50
	220VAC	ms ≤250
Power consumption AC (Max)	VA	9.5

Voltage inputs

Maximum rated voltage Ue		100...480VAC L-L (277VAC L-N)
Measurement range	V	50...576VAC L-L (333VAC L-N)
Frequency range	Hz	45...65
Measurement method		True root mean square (TRMS)
Input impedance		
	phase-phase	>1.0MΩ
	phase-neutral	>0.5MΩ
Measuring accuracy		±0.25% f.s. ±1 digit

Wiring mode

Single-phase, two-phase, three-phase line with or without neutral and balanced three-phase system

Digital inputs

Number of digital input	Nr.	6
-------------------------	-----	---

Type of digital input				Negative
Digital current inputs		mA		<8
Low input signal		VDC		≤2.2
High input signal		VDC		≥3.4
Input signal delay		ms		≥50
Relay outputs				
Number of relay output		Nr.		7
Contact arrangement				6 x 1NO-SPST + 1 x C/O-SPDT
Electrical life		cycles		10 ⁵
Mechanical life		cycles		10 ⁷
Interface				
Front optical USB communication port				Yes, with CX01 USB dongle (optional)
Front optical Wi-Fi communication port				Yes, with CX02 Wi-Fi dongle (optional)
Functions				
Programmable source type				Single-phase, two-phase, three- phase with or without neutral
User alarms				Yes
Limits				Yes
Event logging				100
Ambient conditions				
Temperature				
	Operating temperature			
		min	°C	-30
		max	°C	+70
	Storage temperature			
		min	°C	-30
		max	°C	+80
Relative humidity			%	<80%
Maximum Pollution degree				2
Overvoltage category				3
Measurement category				III
Climatic sequence				Z/ABDM (IEC/EN 60068-2-61)
Shock resistance				15g (IEC/EN 60068-2-27)
Vibration resistance				0.7g (IEC/EN 60068-2-6)
Housing				
Execution				Flush mount
Material				Polycarbonate
Mounting				Flush mount - panel cut-out 138x138 mm
Degree of protection				IP40 on front, IP65 with optional gasket code EXP8001, IP20 on terminals

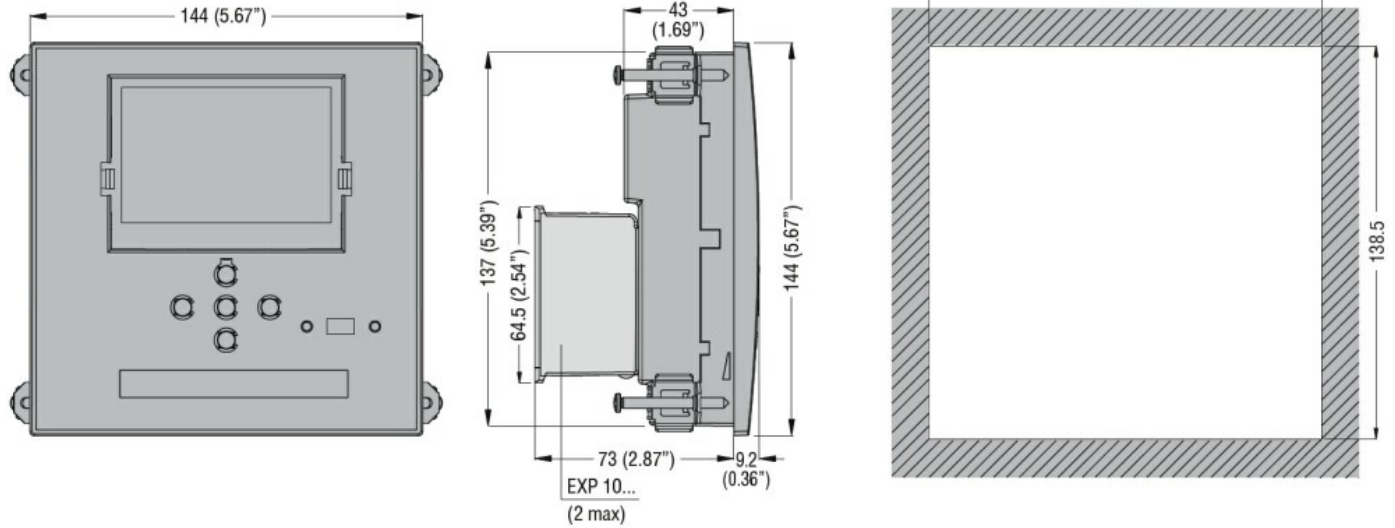
Dimensions (W x H x D)

mm 144 x 144 x
52.2mm

Weight

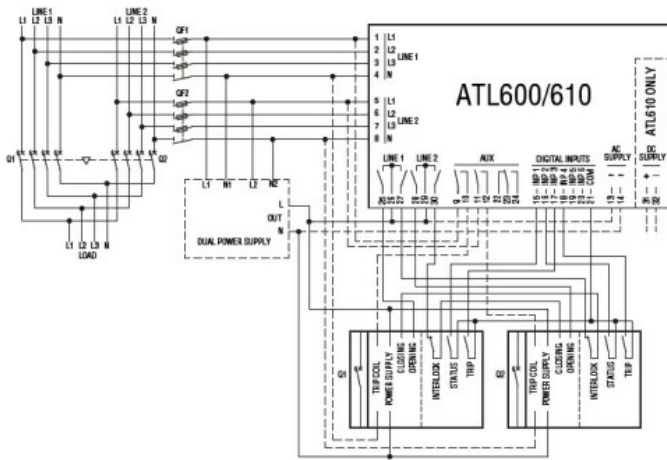
g 600

Dimensions

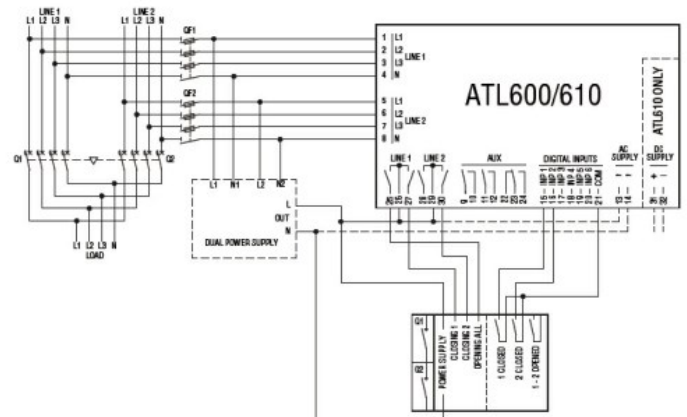


Wiring diagrams

Connection diagrams
Motorised breaker control



Connection diagrams
Motorised changeover switches control



Certifications and compliance

Compliance

- CSA C22.2 n°14
- IEC/EN 60947-1
- IEC/EN 60947-6-1
- IEC/EN 61000-6-2
- IEC/EN 61000-6-3
- UL508

Certificates

- cULus
- EAC
- RCM

ETIM classification

ETIM 8.0

EC000236 - PLC
CPU-module