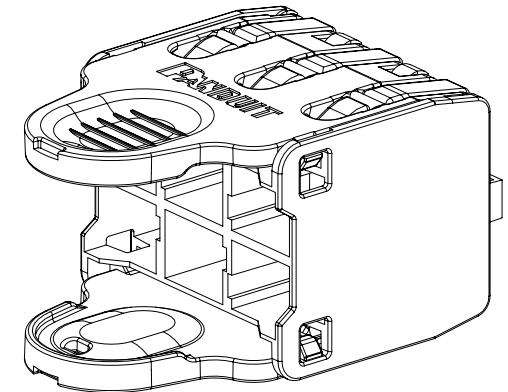
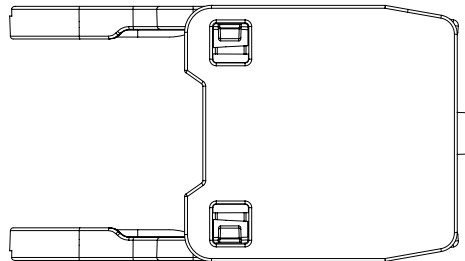
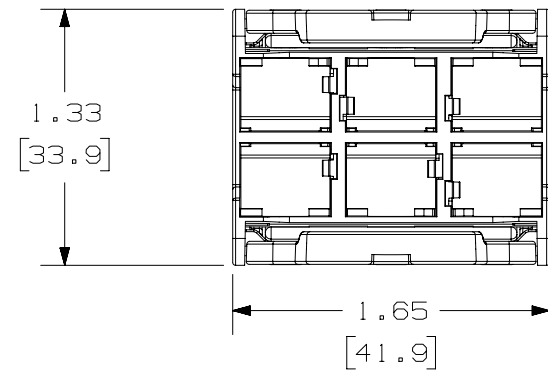
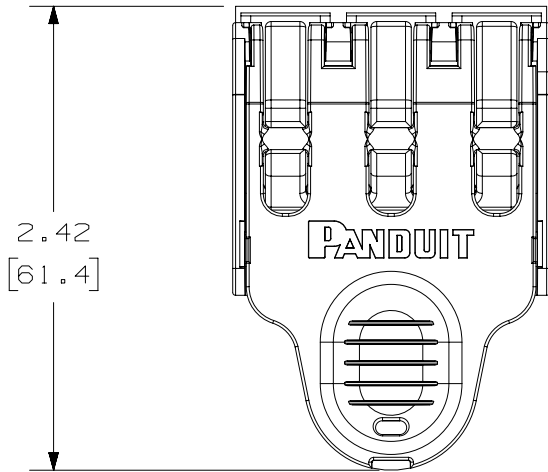


THIS COPY IS PROVIDED ON A RESTRICTED BASIS AND IS NOT TO BE USED IN ANY WAY DETRIMENTAL TO THE INTERESTS OF PANDUIT CORP.



NOTES:

1. VISIT OUR ON-LINE CATALOG AT WWW.PANDUIT.COM FOR A LIST OF CURRENT PARTS APPLICABLE FOR USE WITH THIS PRODUCT.
2. DIMENSIONS IN [ ] ARE METRIC.
3. ALL MATERIALS AND COMPONENTS USED MEET THE MATERIAL RESTRICTIONS OF RoHS (EUROPEAN DIRECTIVE 2011/65/EU ON THE RESTRICTION OF HAZARDOUS SUBSTANCES) AS PROPOSED BY THE RoHS TECHNICAL ADAPTATION COMMITTEE.
4. WEIGHT: 0.084-LB (38.1g)
5. PART INCLUDES:
  - 1- LOW PROFILE SIX-POSITION PLUG PACK ASSEMBLY
  - 1- PLUG ORGANIZER - PC
  - 2- LATCH DEPRESSORS - PBT 30% GLASS-FILLED
  - 2- COMPRESSION LEVERS - PBT 30% GLASS-FILLED
  - 2- INNER HOUSING CLIPS - PC
  - 1 - MARKER TIE
6. RoHS COMPLIANT

COLOR	**
BLACK	BL
BLUE	BU
WHITE	WH
RED	RD

PART NUMBER		QPPNS6**		
TITLE		LOW PROFILE SIX-POSITION PLUG PACK ASSEMBLY		
		CUSTOMER DRAWING		
ITEM REVISION NAME		01763NAA/02		
DATASET FILE NAME		01763NAA_DC/02A		
		THIRD ANGLE PROJECTION		
MATERIAL		SEE NOTE 5		
		DRAWING NUMBER 01763NAA-DC		
REV	DATE	BY	CHK	SCALE
02A	11-13-20	ROJC	ROJC	FULL
DESCRIPTION		ECN		SHEET 1 OF 1
UPDATED COMPONENT GEOMETRIES		01763NAA-DC		A

A-SIZE CUSTOMER

2

1

2

1