



Product designation	Solid state relay		
Product type designation	HS1B		
Type	single-phase		
Input characteristics			
Control voltage	18...280VAC/DC		
Operating voltage limits			
	Operating voltage pick-up	V	18
	Operating voltage drop-out	V	8
Input current at min...max voltage		mA	4.5...6
Operating times			
Switching-on	Half cycle max		
Switching-off	Half cycle max		
Output characteristics			
Switching mode	Zero crossing		
Rated operating voltage	VAC		24...600
Blocking voltage	V		1200
Operational frequency (min...max)	Hz		45...65
Rated operating current AC-51 (resistive load) at 40°C	A		40
Rated operating current AC-51 (resistive load) at 55°C	A		35
Heatsink for use at 40°C and 55°C at rated current AC-51	K/W		≤0.9
Operational current min	A		0.05
Non repetitive surge peak on state current t=10ms	A		500
Off state leakage current	mA		1
On state output voltage drop	V		1.5
Critical rate of rise of off-state voltage dv/dt	V/μs		500
Input - Output isolation	V		4000
Input - Output to metal base	V		4000
Output protection type	TVS		
I2t	A2s		1250
Terminal characteristics			
Control terminals	Type	Screw M4	
Terminals tool	PZ2		
Tightening torque control terminals			
	Nm	1.2...2	
	Ibin	10.6...17.7	
Conductor section connectable (control terminals) with 1 or 2 wires min...max			
	AWG stranded	n°	18...14
	Flexible w/o lug	mm2	0.75...2.5
	Flexible c/w insulated spade lug	mm2	0.75...2.5
Load terminals	Type	Screw M5	
Load terminals tool	PZ2		
Tightening torque load terminals			
	Nm	2...3	
	Ibin	20.4	
Conductor section connectable (load terminals) with 1 or 2 wires min...max			

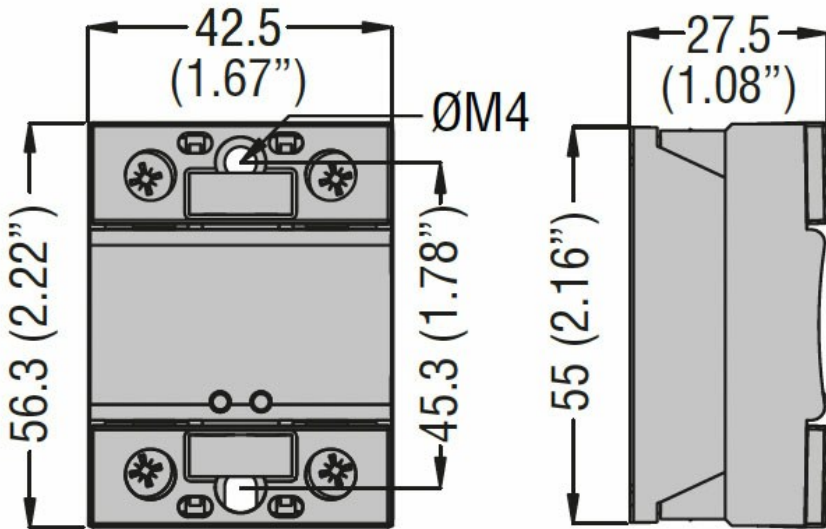
AWG stranded	n°	16...10
Flexible w/o lug	mm2	1.5...6
Flexible c/w insulated spade lug	mm2	1.5...6

Operating position	allowable	Any
Fixing		Screw

Ambient conditions

Temperature	Operating temperature	min	°C	-40
		max	°C	+90
	Storage temperature	min	°C	-40
		max	°C	+100

Dimensions



Certifications and compliance

Certifications	IEC/EN/BS 60947-4-2
	IEC/EN/BS 60947-4-3
	IEC/EN/BS 62314
	IEC/EN/BS 6335-1

Compliance	cURus
	VDE

ETIM classification

EC000066 - Power contactor, AC switching