

Product designation				Rotary cam switches
Product type designation				7GN20
General characteristics				
Switching diagram				19 - Dahlander motor control switch 0-1-2
N° of elements				4
Mounting form				O - Rear mounting with black handle
Contact characteristics				
Rated insulation voltage U_i	IEC/EN	V	690	
	UL/CSA	V	600	
Rated impulse withstand voltage U_{imp}		kV	6	
Conventional free air thermal current I_{th}	IEC/EN	A	20	
	UL/CSA	A	20	
Rated operational voltage		V	480	
Rated operational impulse voltage		kV	4	
Maximum fuse size for short-circuit protection I_n (gG)	10kA	A	20	
	15kA	A	16	
	25kA	A	16	
Rated short time current I_{cw}				
	1s	A	250	
Conductivity				10/5 mA/V
Operational current I_e IEC/EN	AC1/AC21A			
		A	20	
AC15	110V	A	10	
	220/230V	A	8	
	380/400V	A	6	
	660/690V	A	1.5	
Rated operational power in AC	Three-phase AC-3			
	220/230V	kW	3	
	380/440V	kW	5.5	
	500/690V	kW	5.5	
	Single-phase AC-3			
	110V	kW	0.8	
	220/230V	kW	2.2	
	380/440V	kW	3	
	Three-phase AC23A			
	220/230V	kW	5	
	380/440V	kW	7.5	
	500/690V	kW	7.5	
Single-phase AC23A				
110V	kW	0.8		
220/230V	kW	2.5		
380/440V	kW	3.7		

Rated operational current in DC

DC21A

48V	A	20
60V	A	20
110V	A	4
220V	A	0.6
440V	A	0.25

DC23A (poles in series)

24V	A	20 (1)
48V	A	20 (2)
60V	A	20 (3)
110V	A	10 (3)
220V	A	8 (4)

DC13

24V	A	20
48V	A	16
60V	A	12
110V	A	1
220V	A	0.4
440V	A	0.15

Power dissipation

W	0.8
---	-----

Mechanical features

Terminals screw

M3

Tightening torque for terminals max

Nm	0.5
----	-----

Conductor size

AWG - Rigid cable

min	AWG	20
Max	AWG	12

AWG - Flexible cable

min	AWG	20
Max	AWG	14

Conductor size (IEC) - Flexible cable

min	mm ²	0.5
Max	mm ²	2.5

Conductor size (IEC) - Rigid cable

min	mm ²	0.5
Max	mm ²	2.5

Mechanical life

cycles	5x10 ⁶
--------	-------------------

UL technical data

Motor power for direct-on-line control

for three-phase motor

120V	HP	1.5
240V	HP	3
480V	HP	7.5
600V	HP	10

for single-phase motor

120V	HP	0.75
240V	HP	2

Ambient conditions

Temperature

Operating temperature

min	°C	-25
max	°C	+55

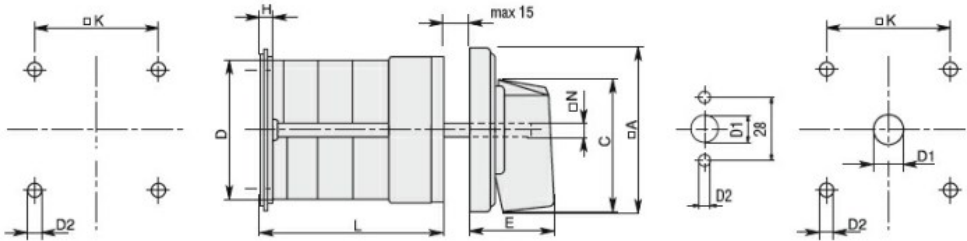
Storage temperature

min °C -40
max °C +70

Resistance & Protection

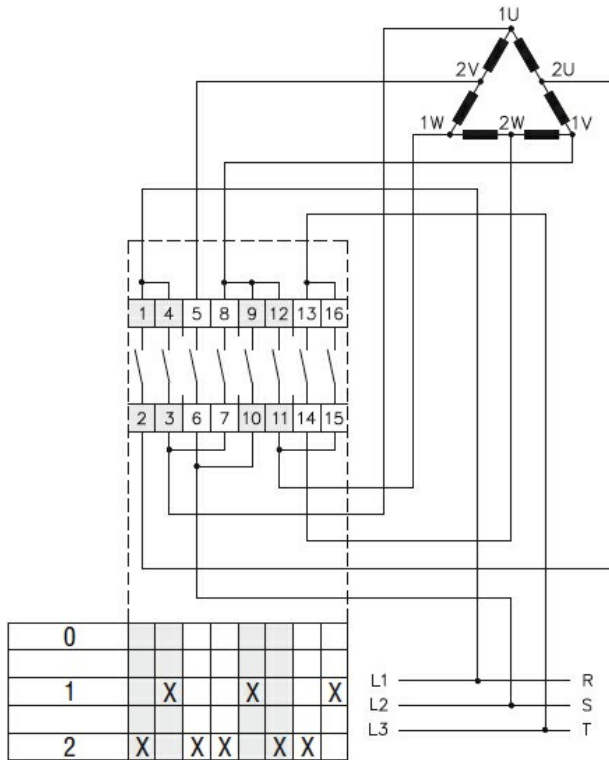
Frontal IP degree	IP40
Terminals IP degree	IP00

Dimensions



Series	Dimensions								L Number of elements											
	□A	C	ØD	ØD2	E	H	□K	□N	1	2	3	4	5	6	7	8	9	10	11	12
7GN12	48	39.5	39	5	26.5	5	36	6	38.1	47.8	57.5	67.2	76.9	86.6	96.3	106	115.7	125.4	135.1	144.8
7GN20	48	39.5	39	5	26.5	5	36	6	38.1	47.8	57.5	67.2	76.9	86.6	96.3	106	115.7	125.4	135.1	144.8
7GN25	48	39.5	43	5	26.5	5	36	6	42.5	56.1	69.7	83.3	96.9	110.5	124.1	137.7	151.3	164.9	178.5	192.1
7GN32	65	53	58	5	34.5	5.5	48	7	48.5	63.6	78.7	93.8	108.9	124	139.1	154.2	169.3	184.4	199.5	214.6
7GN40	65	53	58	5	34.5	5.5	48	7	48.5	63.6	78.7	93.8	108.9	124	139.1	154.2	169.3	184.4	199.5	214.6
7GN63	65	53	62	6	34.5	7.5	68	7	53.3	71.4	89.5	107.6	125.7	143.8	161.9	180	198.1	216.2	234.3	252.4
7GN125	90	70.5	86	6	41.4	7.5	68	9	74.8	103.9	133	162.1	191.2	220.3	249.4	278.5	307.6	336.7	365.8	394.9

Wiring diagrams



Certifications and compliance

Compliance

CSA C22.2 n° 14
IEC/EN/BS 60947-1
IEC/EN/BS 60947-3

IEC/EN/BS 60947-5-1

UL60947-4-1

Certificates

cCSAus

EAC

UL

ETIM classification

ETIM 8.0

EC001029 -
Selector switch,
complete