



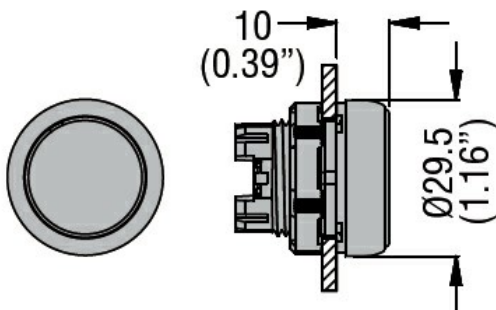
Product designation	ILLUMINATED push-push button actuators - Flush
Product type designation	LPCQL10
<b>General characteristics</b>	
Colour	Transparent
Type of positions	Flush pushbutton. Push on-push off
Material	Polyamide
IEC degree of protection	IP66, IP67 and IP69K

<b>Mechanical features</b>	
Operating force	kg-lb <0.5Kg / 1.1lb
Mechanical life - Push-Push actuators	cycles 500000
Mounting adapter	LPXAU120
Weight	g 25

<b>UL technical data</b>	
UL degree of protection	Type1, 2, 3R, 4, 4X, 12, 12K

<b>Ambient conditions</b>	
Temperature	
Operating temperature	
min	°C -25
max	°C +70
Storage temperature	
min	°C -40
max	°C +85

**Dimensions**



**Certifications and compliance**

Compliance	CSA C22.2 n° 14
	IEC/EN/BS 60947-1
	IEC/EN/BS 60947-5-1
	UL508

**Certificates**

CCC

---

cULus

---

EAC

---

RINA

**ETIM classification**

ETIM 8.0

EC000221 -  
Front element for  
push button