



Modular socket  
Italian and  
German (Schuko)  
standard; 16A.  
P1X7  
2.5

Product designation

Product type designation

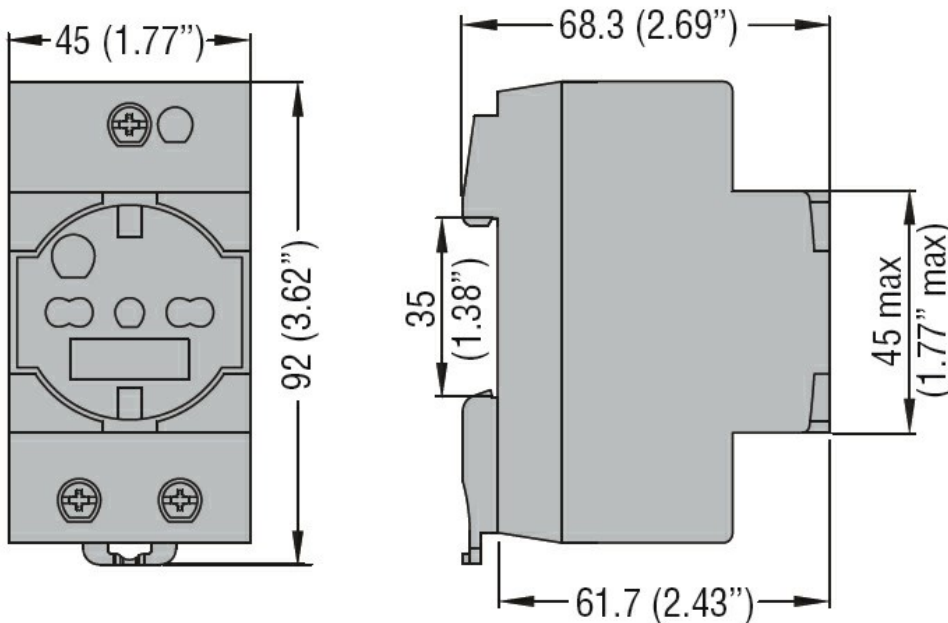
Number of DIN modules

**Mechanical features**

Weight

g 123

**Dimensions**



**Certifications and compliance**

Compliance

IEC/EN 80884-1

Certifications

EAC

**ETIM classification**

ETIM 8.0

EC000330 -  
Multiple socket