



BLUETOOTH® WIRELESS
TECHNOLOGY DEVICES
AS RELAIS



BLUETOOTH® WIRELESS TECHNOLOGY DEVICES AS RELAIS

Blu2Light - The intelligent wireless lighting control solution

Blu2Light is the first completely open Bluetooth® wireless technology system with mesh functionality for the professional lighting market, which, in addition to a variety of functions for lighting control, offers the luminaire manufacturer added IoT benefits with maximum system security.

Blu2Light Relais

With the use of the Blu2Light Relais, non-dimmable luminaires (or similar loads) can be integrated into the Blu2Light system. The Blu2Light Relais can also be used to control a roller shutter motor. The relay is set up via app.



Blu2Light Relais

- **CONTROL VIA BLU2LIGHT MESH**
- **SMALL HOUSING DESIGN**
- **CAN BE USED FOR AUTOMATIC CONTROL OF SHUTTERS**
- **LONG LIFE UP TO 50,000 HOURS**
- **PRODUCT GUARANTEE: 5 YEARS**
- **INDEPENDENT MOUNTING**



Blu2Light Light Management – Blu2Light Relais

General Safety Information

- The Blu2Light Relais must be installed and commissioned only by authorized trained staff.
- To ensure safe and correct handling of the equipment, please read these instructions with care prior to installation and commissioning.
- The devices must be in a voltage-free state before any work is carried out on them.
- All applicable safety and accident-prevention instructions must be observed.
- The products must never be inexpertly opened since this poses a lethal danger due to electrical voltage. Repairs must only be carried out by the manufacturer.

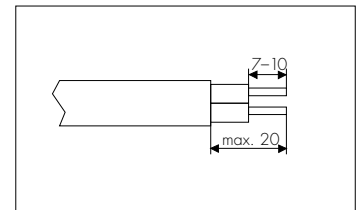


Mounting

- Independent installation
- Surface: solid, device must not be able to sink into insulation
- Attachment: using 4-mm screws

Installation Notes

- Conductor cross-section for all screw terminals: 0.75 mm² – 2.5 mm²
- Lead preparation (see right)
- Screw terminals: max. torque = 0.4 Nm
- The device must be installed in such a way as to ensure users do not have direct access to the area of the mains power supply terminal.
- The maximum permissible current is 4 A per channel.
- The DALI bus line can be laid alongside the power supply line in a single cable, up to a maximum length of 100m, e.g. with NYM 5 x1,5 mm².



Configuration

- The Blu2Light Relais is configured via the LiNA Connect app.

Important note:

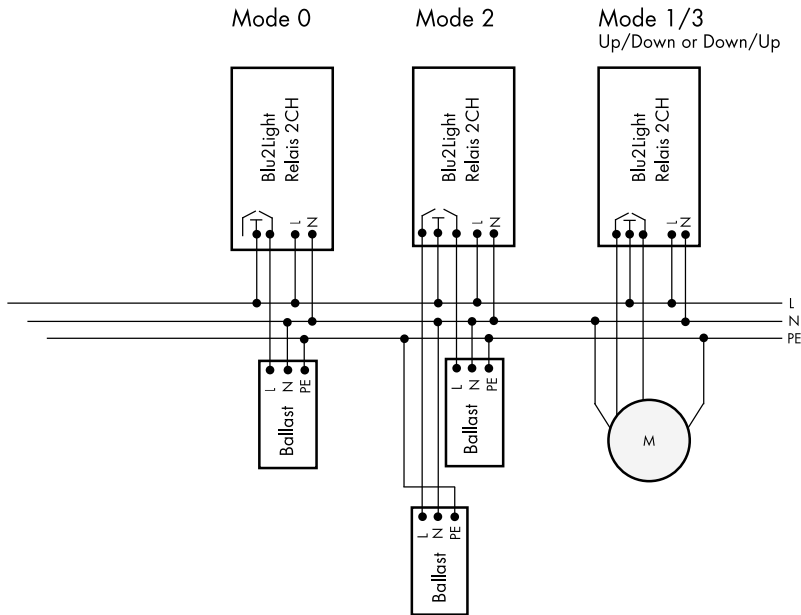
Please refer to the installation instructions included with the product and the applicable Blu2Light system data sheet "How to Blu2Light" before installation. Make sure that the Bluetooth radio signal can propagate freely according to the specifications.

Further Information

- The outputs of various Blu2Light Relais must not be connected to one another.
- To ensure safe operation of the Blu2Light Relais, the maximum permissible casing temperature at measuring point (t_c) must not be exceeded.
- For information on the iOS and Android operating systems that can currently be used, refer to the LiNA Connect/ LiNA Touch manual:



Blu2Light Relais



Device	Blu2Light Relais 187236
Communication:	Blu2Light mesh network
Frequency range:	2402–2480 MHz
Power consumption (standby):	< 0.25 W
Output power:	< 10 mW EIRP
Power supply:	95–240 V AC bei 50/60 Hz
Switching capacity AC max.	4 A Ohmic load
Switching capacity DC max.	4 A Ohmic load
Ambient temperature t_a :	5–50 °C
Degree of protection:	IP20
Protection class:	II
Dimensions (LxVxH):	103 x 36 x 22 mm
Casing:	plastic, white
Weight:	59 g
Screw terminals for lead cross section:	0,75–2,5 mm ²
Automatic circuit breaker:	B13 (or more sensitive)

■ SOFTWARE IN OPERATION MODE 0 "1-channel switch"

Initial operation

Connect the Blu2Light Relais to relay output and the mains voltage to be switched according to the connection scheme. Take care of safety instructions and precautions as described above.

Functional description

For setup and operation an iPad of iOS version 13 or higher is required. By use of the Blu2Light Relais non-dimmable luminaires (or similar load) can be integrated into the Blu2Light system from Vossloh-Schwabe.
 For detailed description of the system configuration in combination with a Light Controller please refer to the respective manual, available at www.vossloh-schwabe.com

■ SOFTWARE IN OPERATION MODE 1 RESP. 3 "JALOUSIE (UP/DOWN) RESP. (DOWN/UP)"

Initial operation

Connect the Blu2Light Relais to relay output and the mains voltage to be switched according to the connection scheme. Take care of safety instructions and precautions as described above.

Functional description

The Blu2Light Relais can be used to control a roller shutter motor, for the exact wiring please refer to the wiring diagram above.
 For information to set up the network, please refer to the manual of the Light Controller IP, available on product page at www.vossloh-schwabe.com.

Note:

If intermediate positions are approached several times (e.g. from 30% to 60%), errors of several cm may occur. However, this is corrected by moving to an end point.