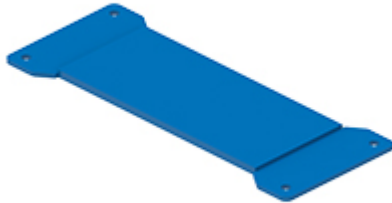


Part number

# CR 24 GTPC



Gasket for surface mounting housings T-TYPE/H e T-TYPE/C series, for size "104.27"

#### Product description

<b>Product type</b>	Gasket
<b>Specification</b>	For surface mounting housings T-TYPE/H and T-TYPE/C series For size "104.27"

#### Further technical details

<b>Weight</b>	13,00 g
---------------	---------

#### Material properties

<b>Main material</b>	Silicone rubber
<b>Colour</b>	RAL 5015 blue
<b>RoHs conformity</b>	Compliant
<b>China RoHs - EFUP</b>	E
<b>REACH SVHC substances</b>	No

#### General ordering information

<b>EAN13 code</b>	8015747274722
<b>eCl@ss 8.1</b>	27449290
<b>ETIM 7.0</b>	EC002943

#### Packaging Information

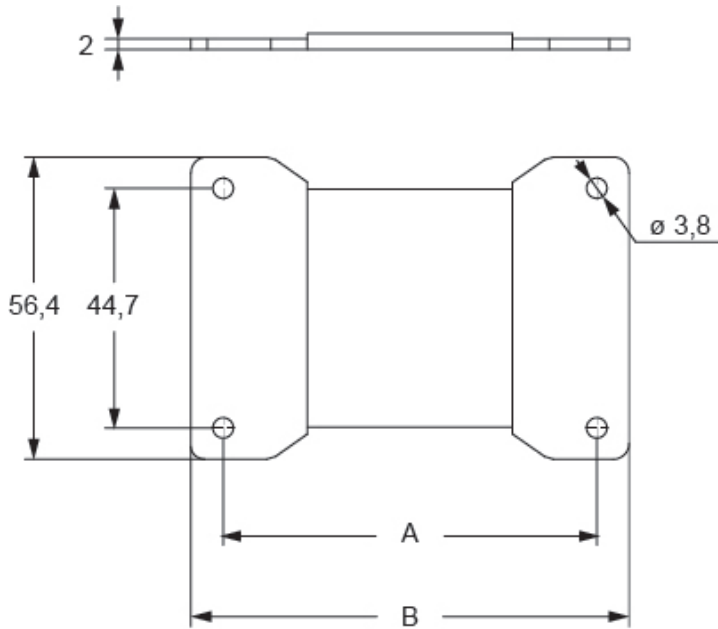
<b>Sub-packaging weight</b>	0,13 kg
<b>Sub-packaging description</b>	Plastic bag
<b>Sub-packaging quantity</b>	10 Pcs
<b>Sub-packaging EAN barcode</b>	8015747274869

Part number

# CR 24 GTPC



## Catalogue drawings



part No.	polarity	A	B
<b>CR 06 GTPC</b>	06	69,7	81,7
<b>CR 10 GTPC</b>	10	81,7	93,9
<b>CR 16 GTPC</b>	16	104,7	116,7
<b>CR 24 GTPC</b>	24	131,7	143,6

Notes