

Part number

# CQS 08 IAP



Bulkhead mounting housing, EMC series, with 1 lever, Pg21 cable entry, size "32.13"

Product description	
<b>Product type</b>	Angled bulkhead mounting housing
<b>Series</b>	EMC
<b>Closing type</b>	With 1 lever
<b>Size</b>	Size "32.13"
<b>Cable entry</b>	Pg21
Technical data	
<b>IP degree of protection</b>	IP65 / IP66 / IP69
Further technical details	
<b>Weight</b>	41,00 g
<b>Operating temperature range (min, max)</b>	-40°C...+125°C

Material properties	
<b>Other materials</b>	Lever: Polyamide (PA) Gasket: conductive elastomer
<b>RoHs conformity</b>	Compliant
<b>China RoHs - EFUP</b>	E
<b>REACH SVHC substances</b>	No
Approvals / Standards	
<b>Certifications</b>	DNV, BV
<b>UL</b>	ECBT2
<b>cUL</b>	ECBT8
General ordering information	
<b>EAN13 code</b>	8015747175135
Packaging Information	
<b>Sub-packaging weight</b>	0,04 kg
<b>Sub-packaging description</b>	Plastic bag
<b>Sub-packaging quantity</b>	1 Pcs
<b>Sub-packaging EAN barcode</b>	8015747175166

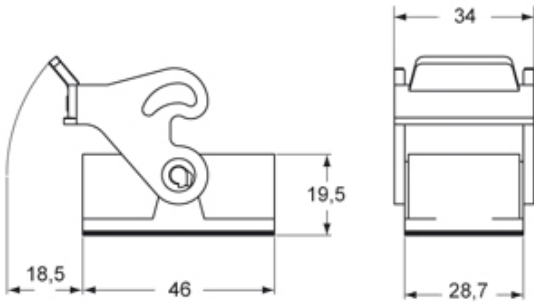
Part number

# CQS 08 IAP

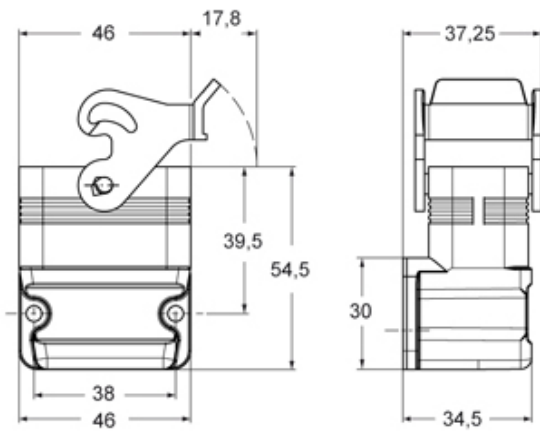


Catalogue drawings

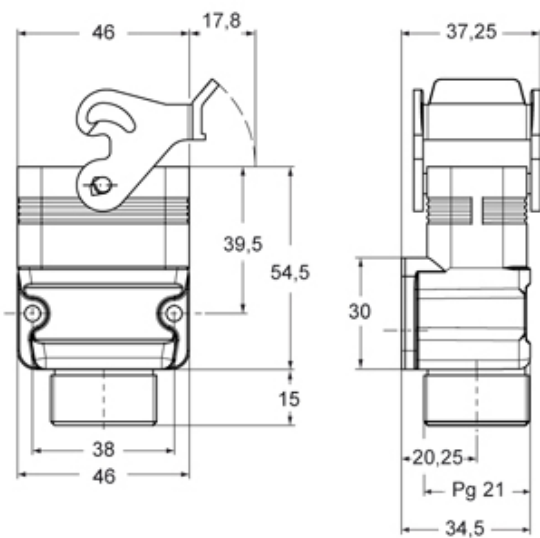
CQS I



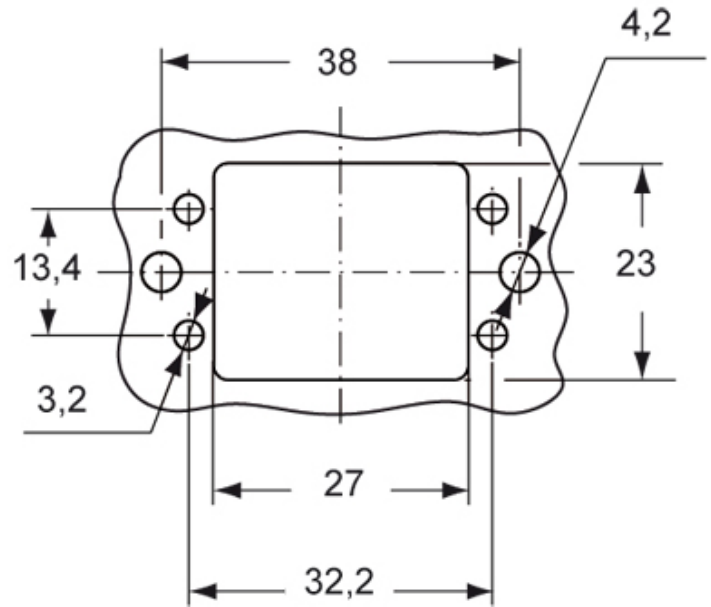
CQS IA



CQS IAP



Catalogue drawings



Notes

CQS enclosures:

- metallized thermoplastic enclosures
  - when using EMC CQS 08 series enclosures, please remove the gasket from the male insert and replace it with the CR 08 EMC conductive gasket
  - CQ 08 IAP/V/VG version with Pg male thread on outside of enclosure
- 

Dimensions shown in mm are not binding and may be changed without notice.

---