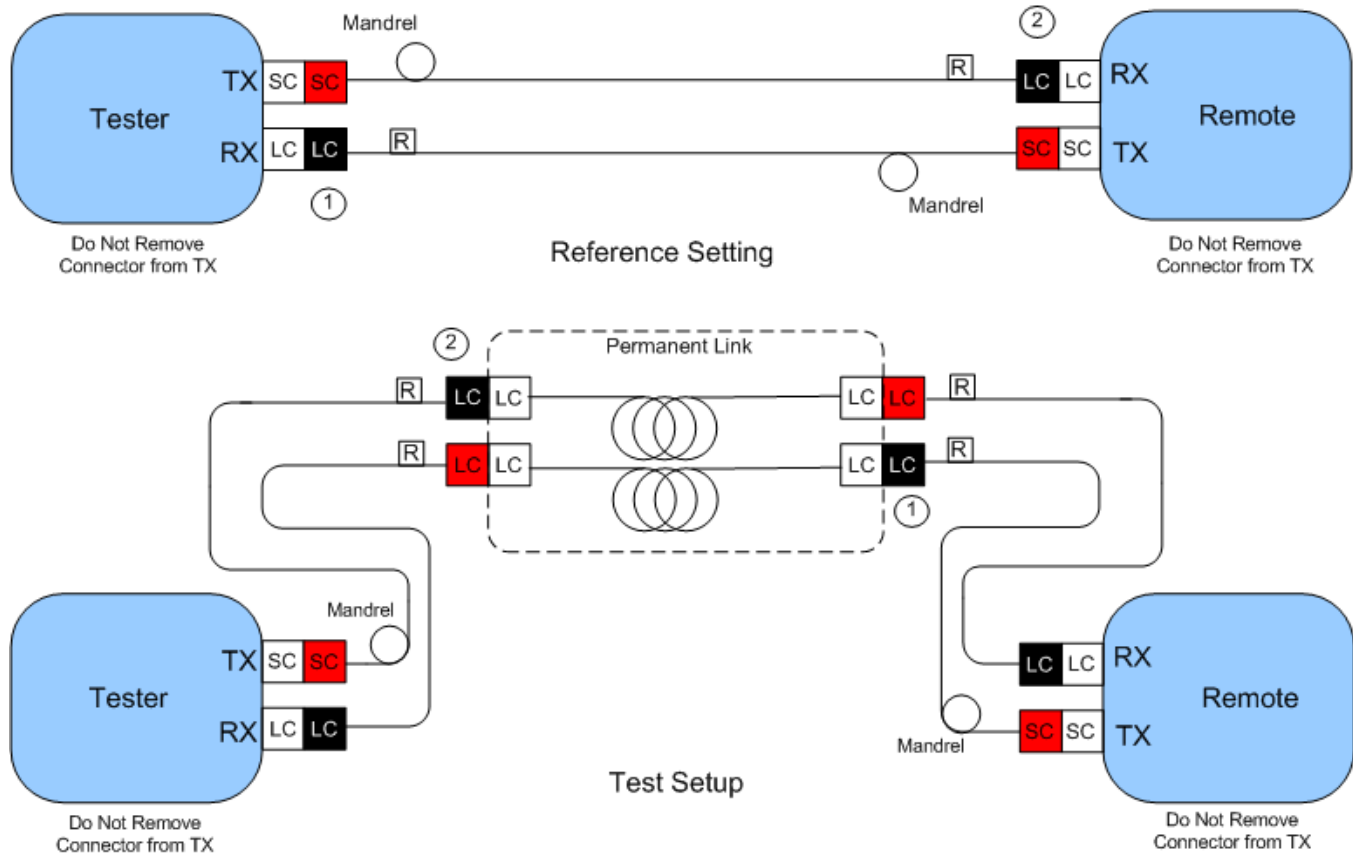


## LC Perm Link with SC TX and LC RX on Test Set (Test Method B)



To complete this test you will need two (2) Simplex Standard SC to Reference Grade LC Cords and two (2) Simplex Standard LC to Reference Grade LC Cords (part numbers as follows per fiber type):

- 2 - [FR1XS3-R1M02](#) (50µm)
- 2 - [FR1XS1-R1M02](#) (50µm)
- 2 - [FR16S3-R1M02](#) (62.5µm)
- 2 - [FR16S1-R1M02](#) (62.5µm)
- 2 - [FR19S3-R1M02](#) (9µm)
- 2 - [FR19S1-R1M02](#) (9µm)

### Master Kits

- [FR1XS1-R1KIT](#) (50µm)
- [FR16S1-R1KIT](#) (62.5µm)
- [FR19S1-R1KIT](#) (9µm)

Note: Mandrels included in Master Kits

**R** Reference Quality Connector