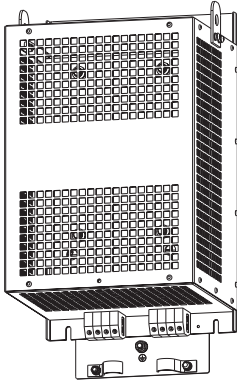
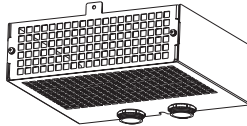




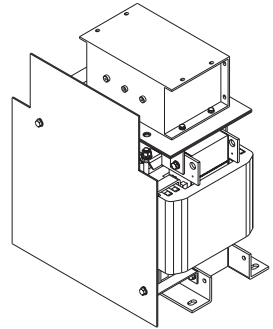
VW3A5401
VW3A5402
VW3A5403
VW3A5404
VW3A5405



VW3A53901
VW3A53902
VW3A53903
VW3A53904



VW3A5406
VW3A5407



⚠ ⚠ DANGER

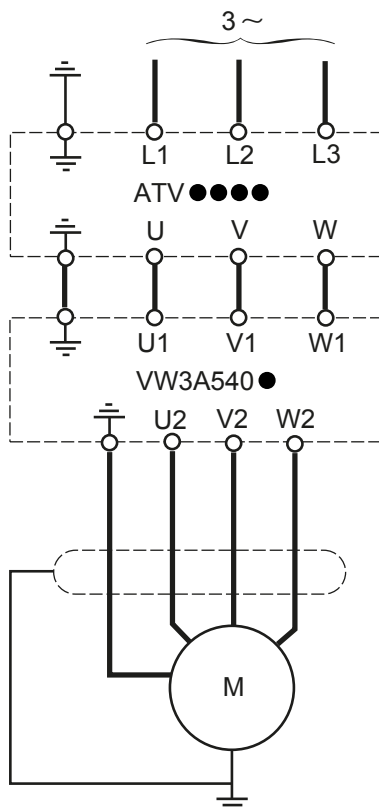
HAZARD OF ELECTRIC SHOCK, EXPLOSION, OR ARC FLASH

- Only appropriately trained persons who are familiar with and understand the contents of this manual and all other pertinent product documentation and who have received safety training to recognize and avoid hazards involved are authorized to work on and with this drive system. Installation, adjustment, repair, and maintenance must be performed by qualified personnel.
 - The system integrator is responsible for compliance with all local and national electrical code requirements as well as all other applicable regulations with respect to grounding of all equipment.
 - Many components of the product, including the printed circuit boards, operate with mains voltage. Do not touch. Use only electrically insulated tools.
 - Do not touch unshielded components or terminals with voltage present.
 - Motors can generate voltage when the shaft is rotated. Prior to performing any type of work on the drive system, block the motor shaft to prevent rotation.
 - AC voltage can couple voltage to unused conductors in the motor cable. Insulate both ends of unused conductors of the motor cable.
 - Do not short across the DC bus terminals or the DC bus capacitors or the braking resistor terminals.
 - Before performing work on the drive system:
 - Disconnect all power, including external control power that may be present.
 - Place a "Do Not Turn On" label on all power switches.
 - Lock all power switches in the open position.
 - Wait 15 minutes to allow the DC bus capacitors to discharge. The DC bus LED is not an indicator of the absence of DC bus voltage that can exceed 800 Vdc.
 - Measure the voltage on the DC bus between the DC bus terminals (PA/+ and PC/-) using a properly rated voltmeter to verify that the voltage is <42 Vdc.
 - If the DC bus capacitors do not discharge properly, contact your local Schneider Electric representative. Do not repair or operate the product.
 - Install and close all covers before applying voltage.
- Failure to follow these instructions will result in death or serious injury.**

Electrical equipment should be installed, operated, serviced, and maintained only by qualified personnel. No responsibility is assumed by Schneider Electric for any consequences arising out of the use of this product.

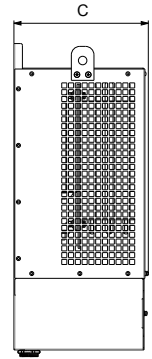
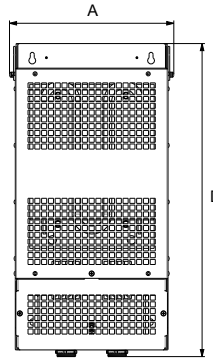
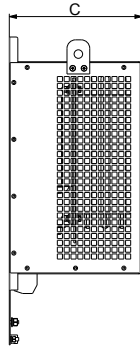
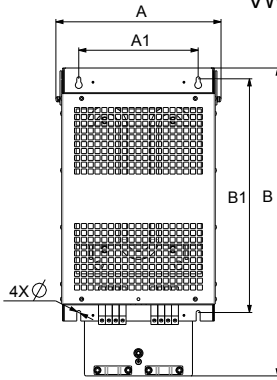
© 2017 Schneider Electric. All Rights Reserved.

OUTPUT SINUS FILTERS		METAL KIT IP21
VW3A5401	6A	VW3A53901
VW3A5402	15A	VW3A53901
VW3A5403	25A	VW3A53902
VW3A5404	50A	VW3A53903
VW3A5405	95A	VW3A53904
VW3A5406	180A	-
VW3A5407	305A	-

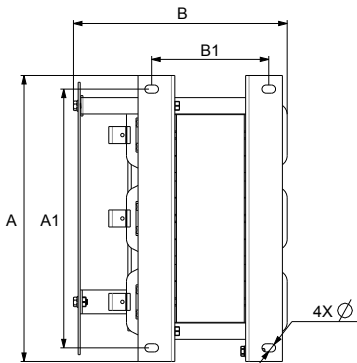


VW3A5401
 VW3A5402
 VW3A5403
 VW3A5404
 VW3A5405

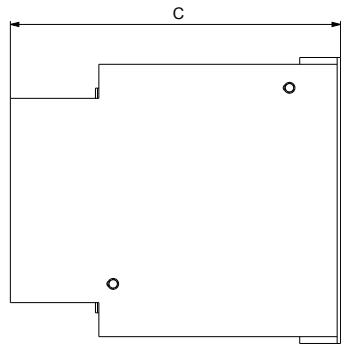
VW3A5401 + VW3A53901
 VW3A5402 + VW3A53901
 VW3A5403 + VW3A53902
 VW3A5404 + VW3A53903
 VW3A5405 + VW3A53904



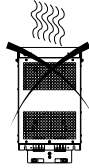
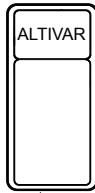
OUTPUT SINUS FILTERS	A		B		C		D		A1		B1		Ø	
	mm	in	mm	in	mm	in	mm	in	mm	in	mm	in	mm	in
VW3A5401 + VW3A53901	210	8.3	445	17.5	210	8.3	455	17.9	160	6.3	351	13.8	7	0.28
VW3A5402 + VW3A53901	210	8.3	445	17.5	210	8.3	455	17.9	160	6.3	351	13.8	7	0.28
VW3A5403 + VW3A53902	280	11.0	520	20.5	215	8.5	530	20.9	210	8.3	411	16.2	7	0.28
VW3A5404 + VW3A53903	300	11.8	545	21.5	245	9.6	560	22.0	210	8.3	411	16.2	7	0.28
VW3A5405 + VW3A53904	375	14.8	740	29.1	285	11.2	760	29.9	290	11.4	565	22.2	10	0.39



VW3A5406
 VW3A5407

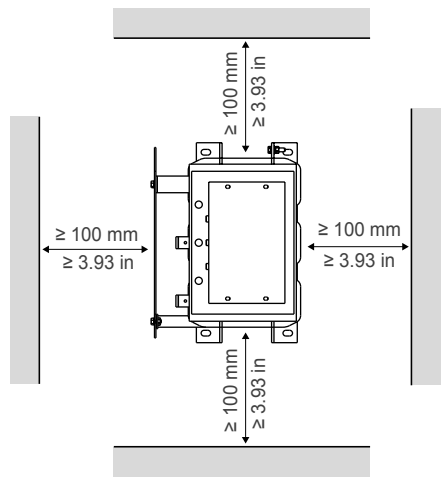
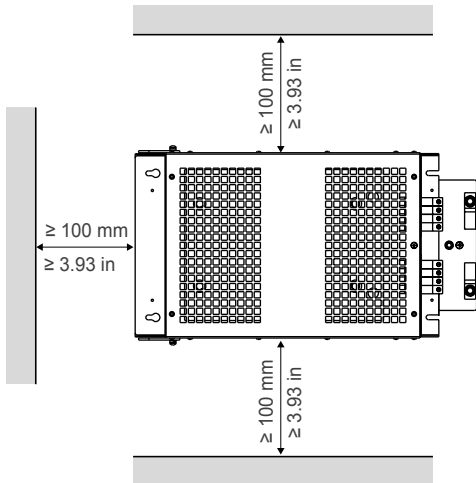
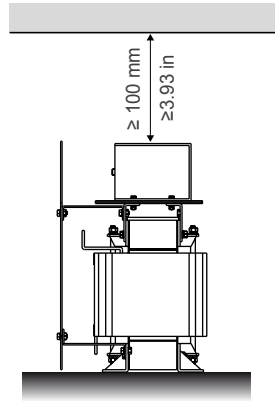
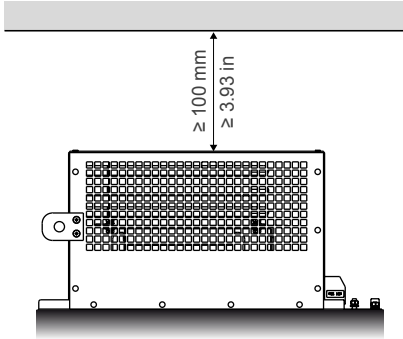


OUTPUT SINUS FILTERS	A		B		C		A1		B1		Ø	
	mm	in	mm	in	mm	in	mm	in	mm	in	mm	in
VW3A5406	430	16.9	325	12.8	495	19.5	380	15.0	172	6.8	12	0.47
VW3A5407	460	18.1	370	14.6	565	22.2	410	16.1	204	8.0	15	0.59

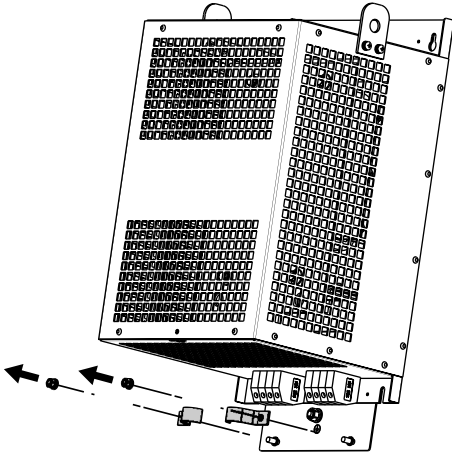


VW3A5401
VW3A5402
VW3A5403
VW3A5404
VW3A5405

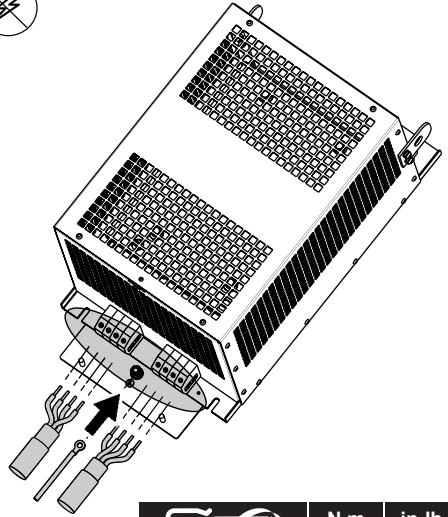
VW3A5406
VW3A5407




1

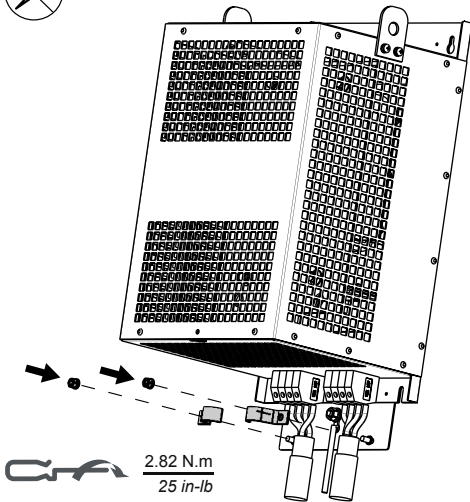


2

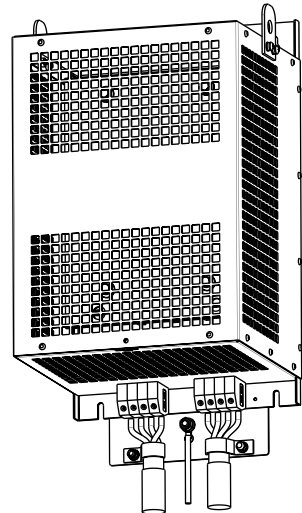


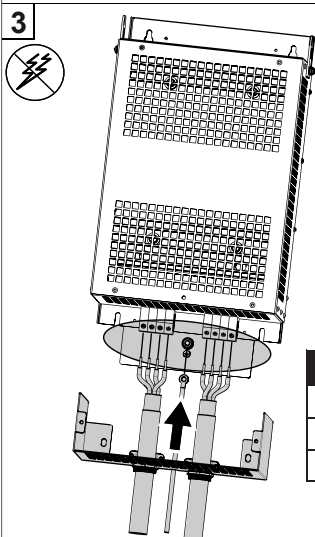
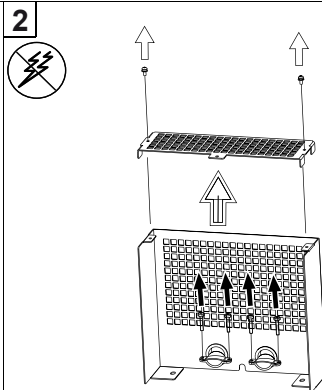
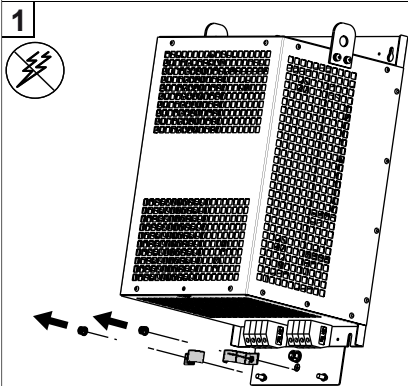
	N.m	in-lb
VW3A5401 ... 03	1.45	13
VW3A5404	2.82	25
VW3A5405	4.52	40


3

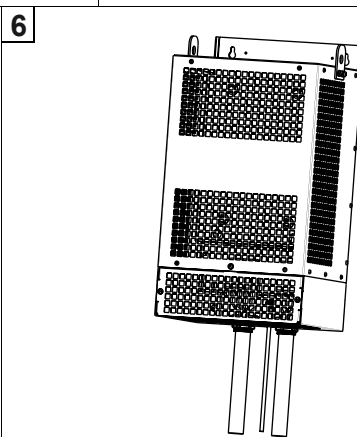
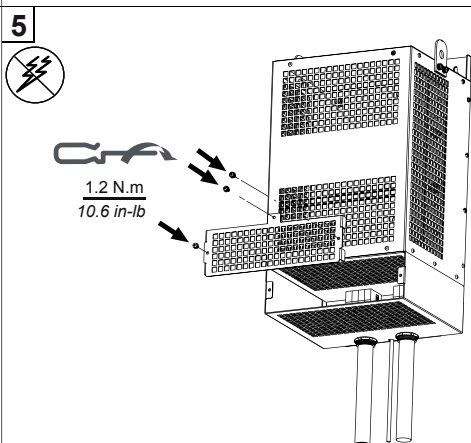
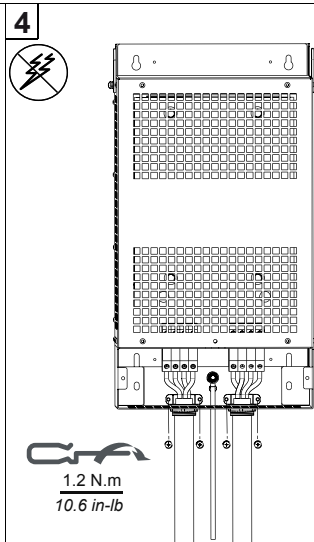


4

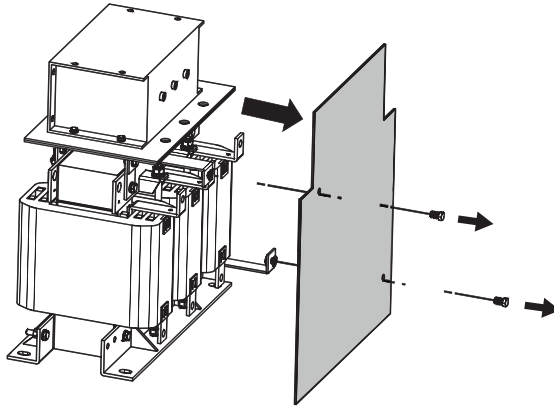




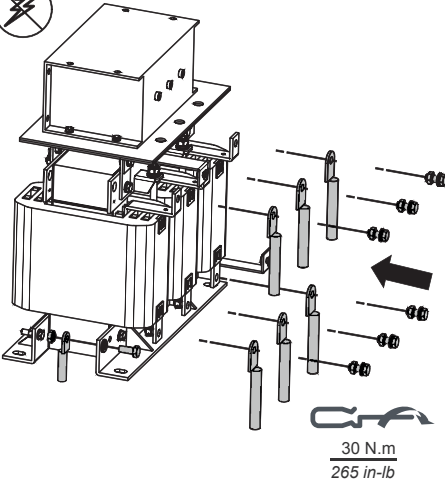
	N.m	in-lb
VW3A5401 ... 03	1.45	13
VW3A5404	2.82	25
VW3A5405	4.52	40



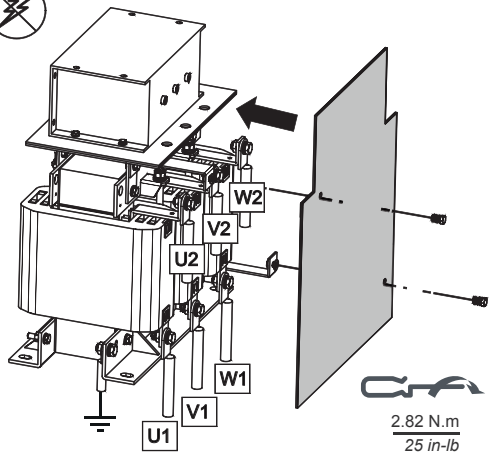
1



2



3



4

