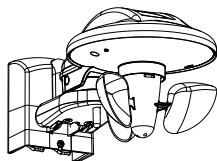


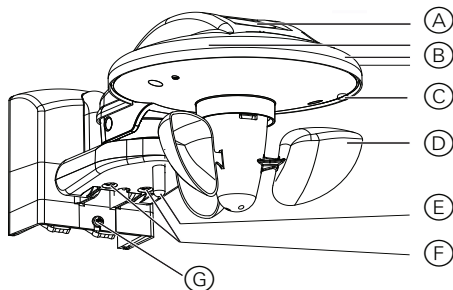
Connections, displays and operating elements

KNX weather station basic V2

Operating instructions



Art. no. MTN6904-0001

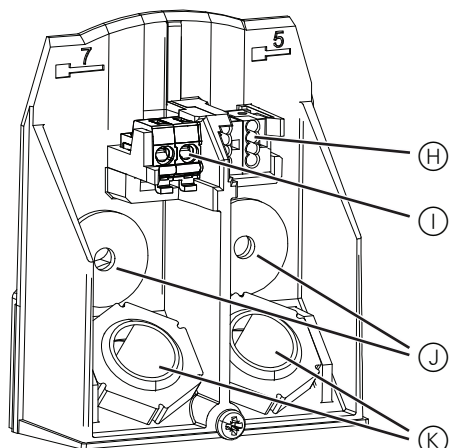


- (A) Rain sensor with heating
- (B) Three light sensors (front, right and left)
- (C) Programming push button and LED for the physical address
- (D) Rotor
- (E) Temperature sensor
- (F) Screws for aligning the weather station
- (G) Screw for fastening the weather station on the wall bracket



Rain sensor becomes hot during use
Do not touch the rain sensor.

Wall bracket with connection for mains supply and bus connection (KNX)



- (H) Bus terminal for bus connection
- (I) Screwless terminal for connecting mains voltage
- (J) Washer and screw
- (K) Rubber seal

Mounting the weather station

Installation location

- Do not install the wind sensor in a sheltered position.
- Avoid shadows (e.g. from masts etc.) and reflected light.
- Pay attention to mounting position
 - Rain sensor pointing up
 - Rotor pointing down

Wall-mounting

- Secure the wall bracket to the wall etc. with the screws and washers (J) provided. The washers are important to achieve the IP 44 protection rating.

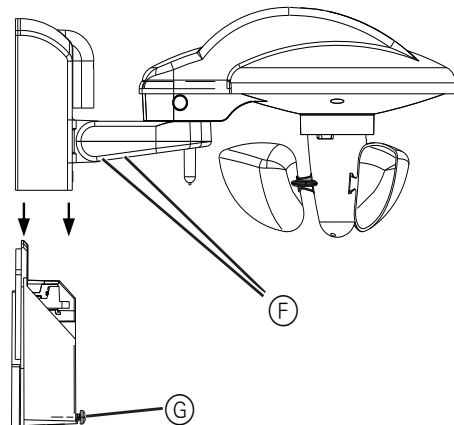


Feed the mains cable (left) and the bus cable (right) through the two rubber seals.

Stripping and connecting the cables/wires in the terminals.

=> Connections.

- Loosen the screws (F). Flapping the weather station upwards.
- Push down the weather station until it clicks into place.



- Tighten screw (G).
- Install the weather station horizontally and tighten screws (F).

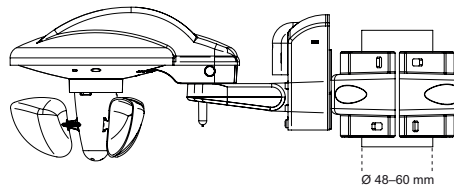
Mast or corner bracket fixing

The weather station can also be attached to a mast with mast or corner fixing (accessory).

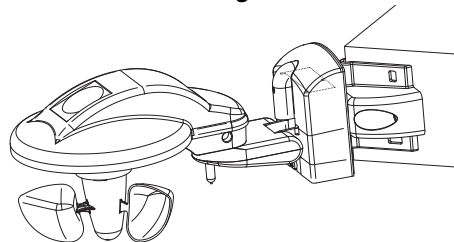
Mast and corner fastening for KNX weather station basic V2 (Art. no. MTN6904-0002)

Mast fixing

This installation method is recommended if wind is to be registered from all directions.



Corner bracket fixing



Accessories

- Mast and corner fastening for KNX weather station basic V2 (Art. no. MTN6904-0002)

For your safety



DANGER

Risk of serious damage to property and personal injury, e.g. from fire or electric shock, due to incorrect electrical installation.

Safe electrical installation can only be ensured if the person in question can prove basic knowledge in the following areas:

- Connecting to installation networks
- Connecting several electrical devices
- Laying electric cables
- Connecting and establishing KNX networks

These skills and experience are normally only possessed by skilled professionals who are trained in the field of electrical installation technology. If these minimum requirements are not met or are disregarded in any way, you will be solely liable for any damage to property or personal injury.

Getting to know the weather station

The weather station measures temperature, brightness and wind speed. A rain sensor is also installed on the top of the device. The device is designed for use on buildings.

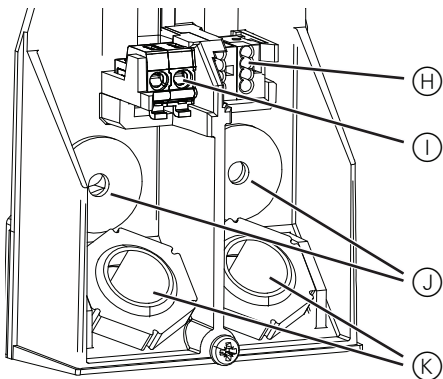
The ETS (Engineering Tool Software) enables application programs to be selected, specific parameters and addresses to be assigned and transferred to the device.



Note

- Rain is only detected when the rain sensor is sufficiently wet. There can be a delay between the first raindrops in a shower to the point where rain is detected.
- When the rain stops, and despite heating, it can take several minutes before the sensor is dry again and the device is able to detect that correctly.
- When it is windy, awnings/blinds take time to retract. Configure the wind thresholds below the value provided by the awning/blinds manufacturer.

Connections



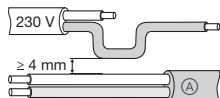
Feed cable for mains connection (left) or for bus (right) through the rubber seals (K) provided. Plug the wires into the screwless terminal (I) or the bus terminal (H).



WARNING

Risk of death from electric shock. The device can be damaged.

Safety clearance must be guaranteed in accordance with IEC 60664-1. There must be at least 4 mm between the individual cores of the 230 V supply cable and the KNX line (A).

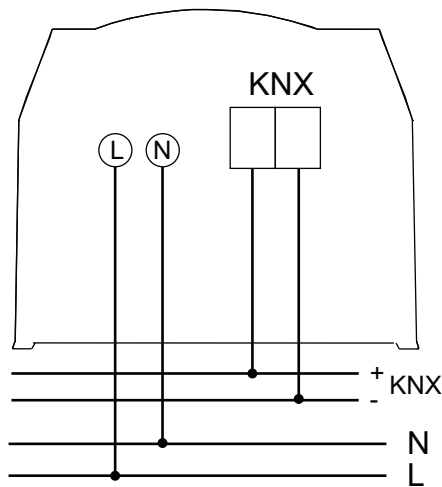


WARNING Risk of death from electric shock.

Safety clearance must be guaranteed in accordance with IEC 60664-1. There must be at least 4 mm between the individual cores of the 230 V supply cable and the washer or screw.



The stripped wires of the 230V cable must be fixed with the cable tie.



The weather station can also be operated without mains supply.

The heating of the rain sensor module will not function then.

Technical data

Operating voltage:	110–230 V AC, 50–60 Hz
Power consumption:	typically 0.7 W (max. 5.5 W)
Standby min.:	max. 0.5 W
Permissible ambient temperature:	–20 °C ... +55 °C
Protection class::	II subject to correct installation
Protection rating:	IP 44 in accordance with EN 60529
Operating voltage	bus voltage 21–32 V DC/
KNX:	≤ 3 mA
Cable:	max. cable cross-section 1.5 mm ² NYM 5 x 1.5 mm ² (mains cable) JSTY 2 x 2 x 0.8 mm (bus cable)
Mount installation:	Ø 48–60 mm (accessory)
Wind sensor::	2–30 m/s
Brightness sensor (3x):	1–100,000 Lux
Temperature sensor:	–30 °C to +60 °C
Rain sensor display:	rain/no rain

Schneider Electric Industries SAS

If you have technical questions, please contact the Customer Care Centre in your country.

schneider-electric.com/contact

Programming the device

- Press the programming push button (C) on the bottom of the device with a screwdriver.
- The programming LED flashes.
- The device is in program mode.