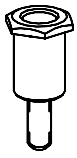
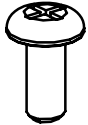


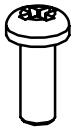
#### Components Included



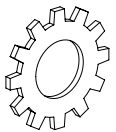
End Panel Bushing  
Qty: 1



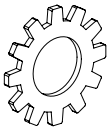
#12-24 Screw  
Qty: 6



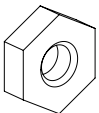
#10-32 Screw  
Qty: 10



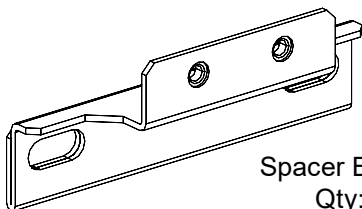
#12 Lockwasher  
Qty: 6



#10 Lockwasher  
Qty: 14



#10-32 Hex Nut  
Qty: 4



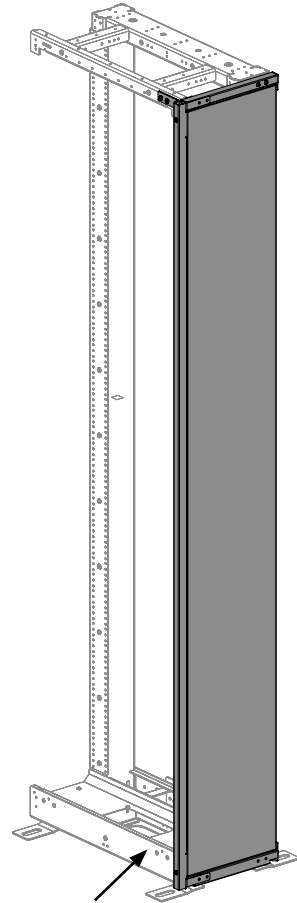
Spacer Bracket  
Qty: 1



Corner Post  
Qty: 1

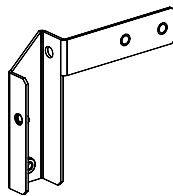


End Panel Assembly  
Qty: 1

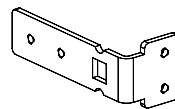


Front of Frame

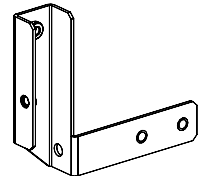
Right End Configuration Shown



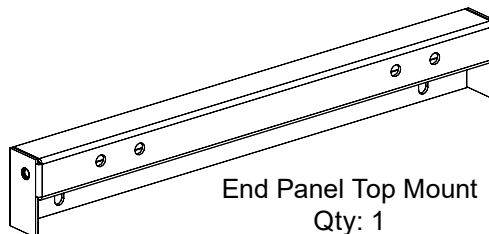
Corner Post Bracket A  
Qty: 1



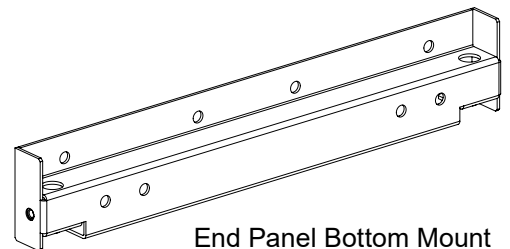
Rack Halo End Panel Bracket  
Qty: 1



Corner Post Bracket B  
Qty: 1

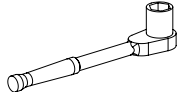


End Panel Top Mount  
Qty: 1

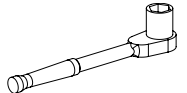


End Panel Bottom Mount  
Qty: 1

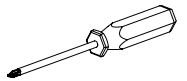
#### Tool List



3/8" Socket Wrench



1/2" Socket Wrench

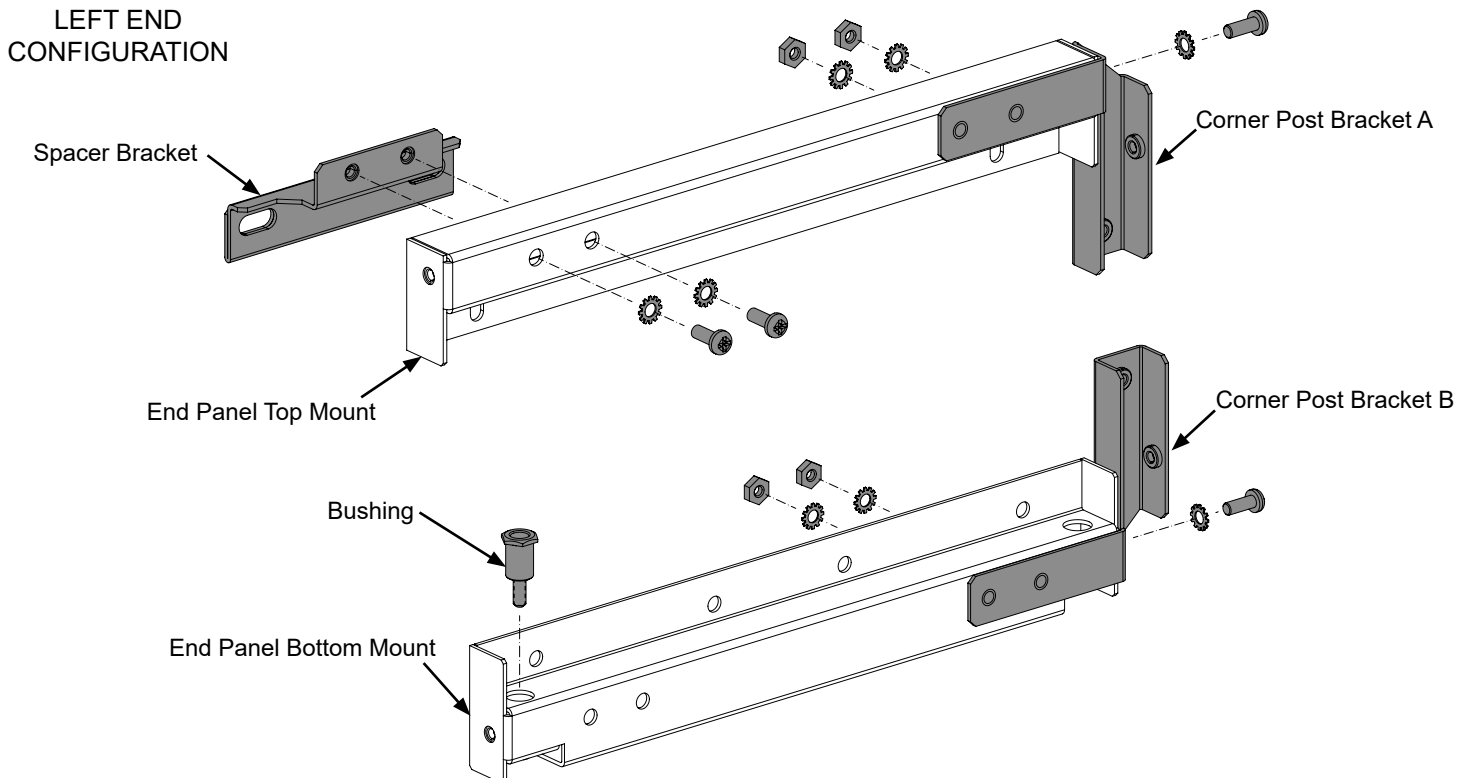
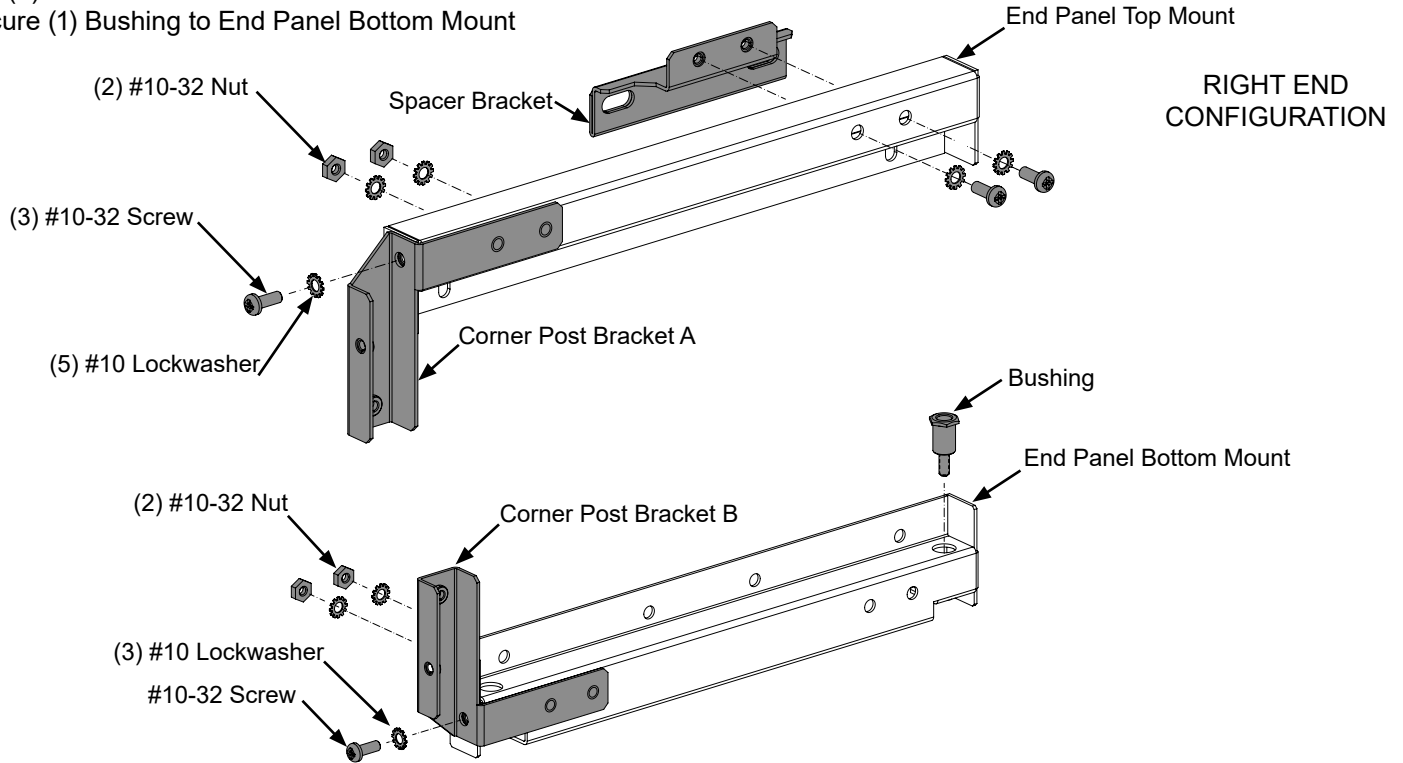


#2 Phillips Screwdriver

**For Frame Mounting**

**Assemble End Panel Top and Bottom Mount**

- Secure Corner Post Bracket A to End Panel Top Mount using (1) #10-32 Screw, (3) #10 lockwashers, and (2) #10-32 Hex Nuts
- Secure (1) Spacer Bracket to End Panel Top Mount using (2) #10-32 Screws, (2) #10 lockwashers
- Secure Corner Post Bracket B to End Panel Bottom Mount using (1) #10-32 Screw, (3) #10 lockwashers, and (2) #10-32 Hex Nuts
- Secure (1) Bushing to End Panel Bottom Mount

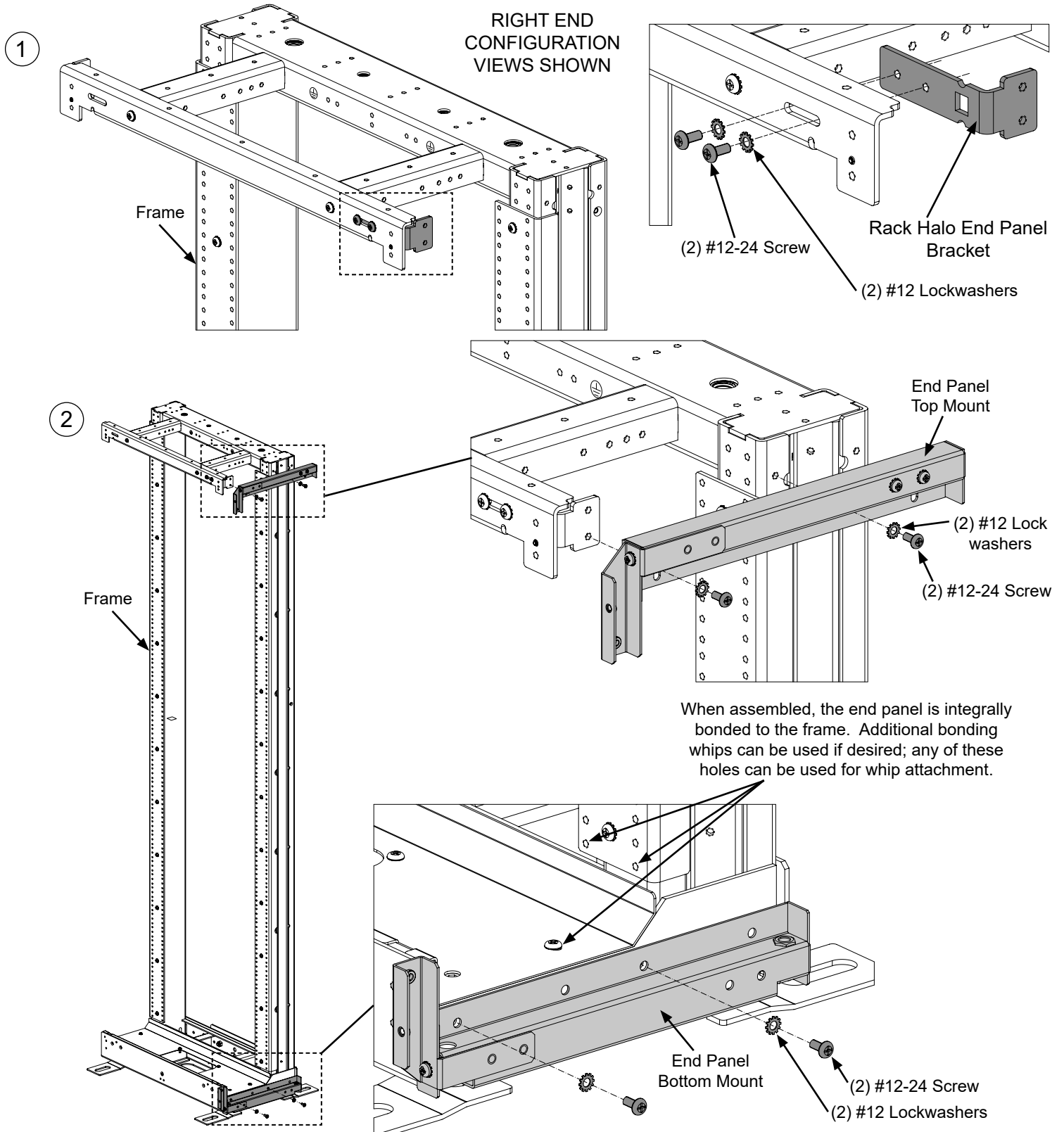


For Technical Support: [www.panduit.com/resources/install\\_maintain.asp](http://www.panduit.com/resources/install_maintain.asp)

## For Frame Mounting

### Install End Panel Top and Bottom Mount

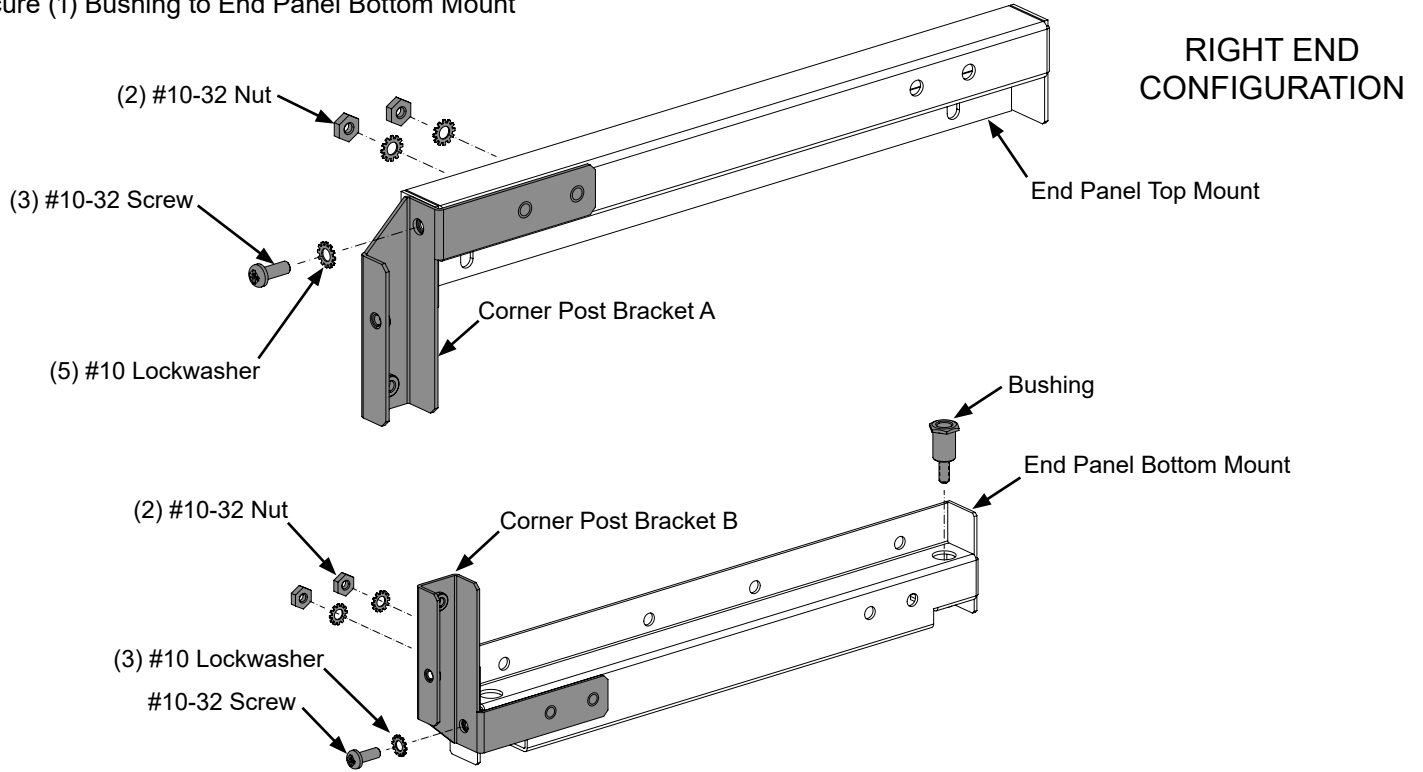
- Secure Rack Halo End Panel Bracket to Frame using (2) #12-24 Screws and (2) #12 lockwashers
- Install End Panel Top Mount to Halo Bracket and Frame using (2) #12-24 Screws and (2) #12 lockwashers.
- Install End Panel Bottom Mount to Frame using (2) #12-24 Screws and (2) #12 lockwashers.



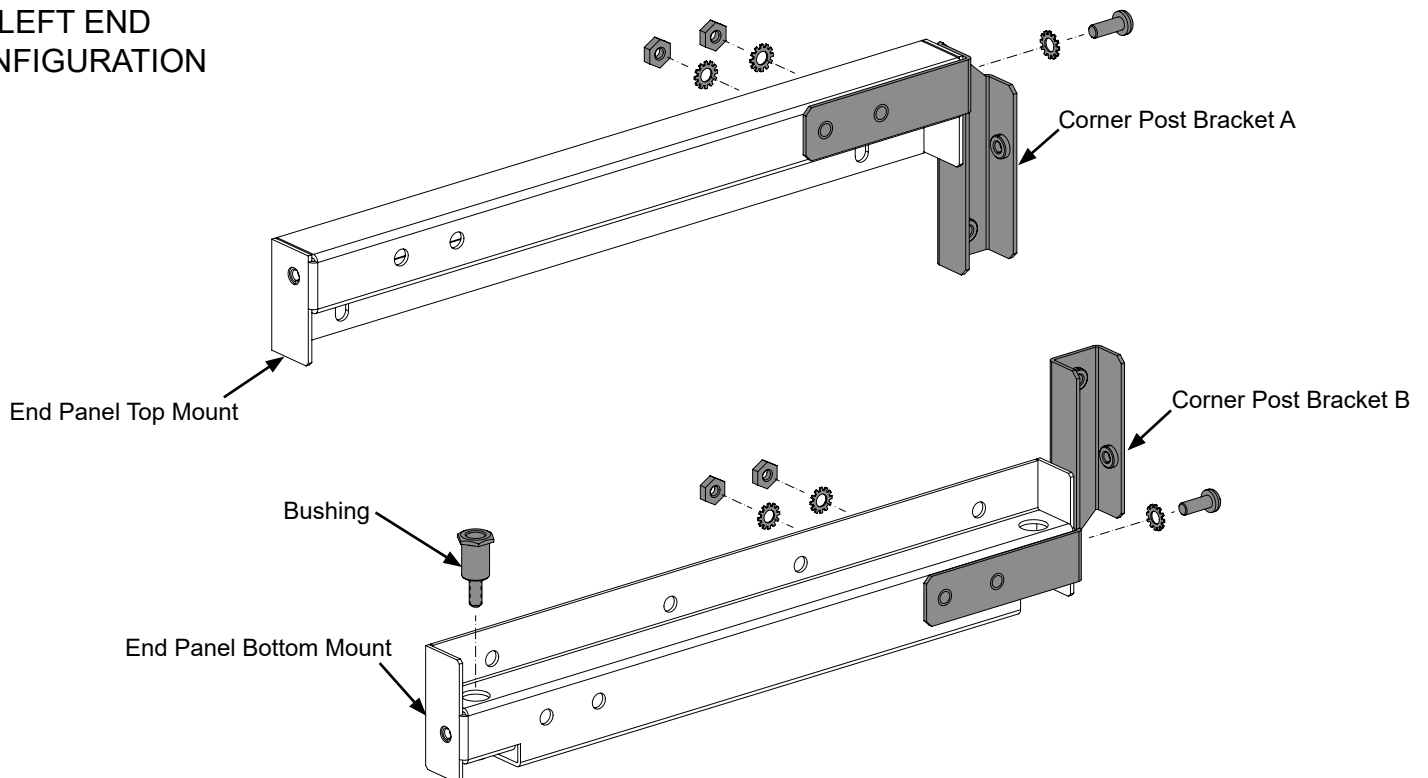
## For Vertical Cable Manager (VCM) Mounting

### Assemble End Panel Top and Bottom Mount

- Secure Corner Post Bracket A to End Panel Top Mount using (1) #10-32 Screw, (3) #10 lockwashers, and (2) #10-32 Hex Nuts
- Secure Corner Post Bracket B to End Panel Bottom Mount using (1) #10-32 Screw, (3) #10 lockwashers, and (2) #10-32 Hex Nuts
- Secure (1) Bushing to End Panel Bottom Mount



### LEFT END CONFIGURATION

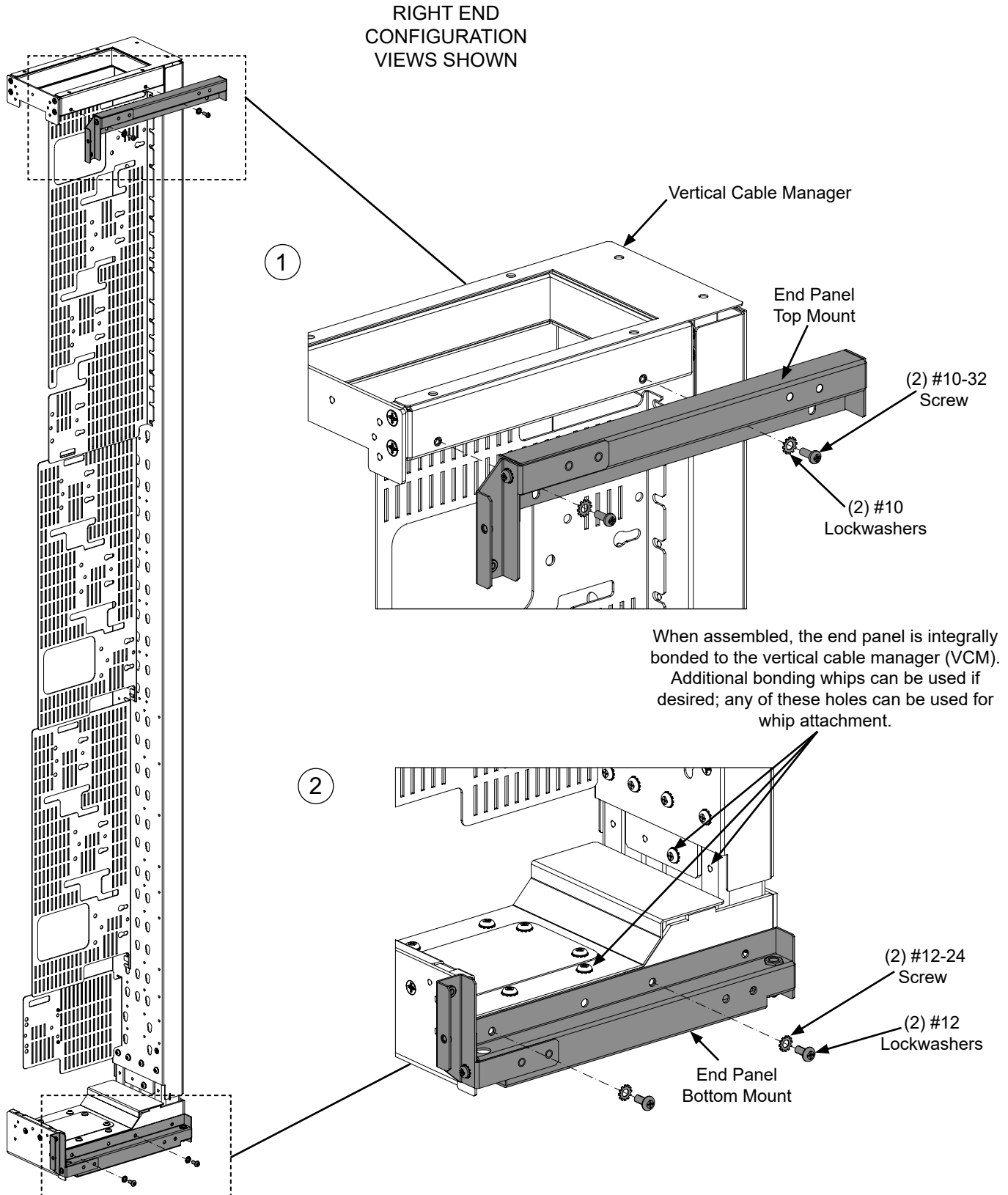


For Technical Support: [www.panduit.com/resources/install\\_maintain.asp](http://www.panduit.com/resources/install_maintain.asp)

## For Vertical Cable Manager (VCM) Mounting

### Install End Panel Top and Bottom Mount

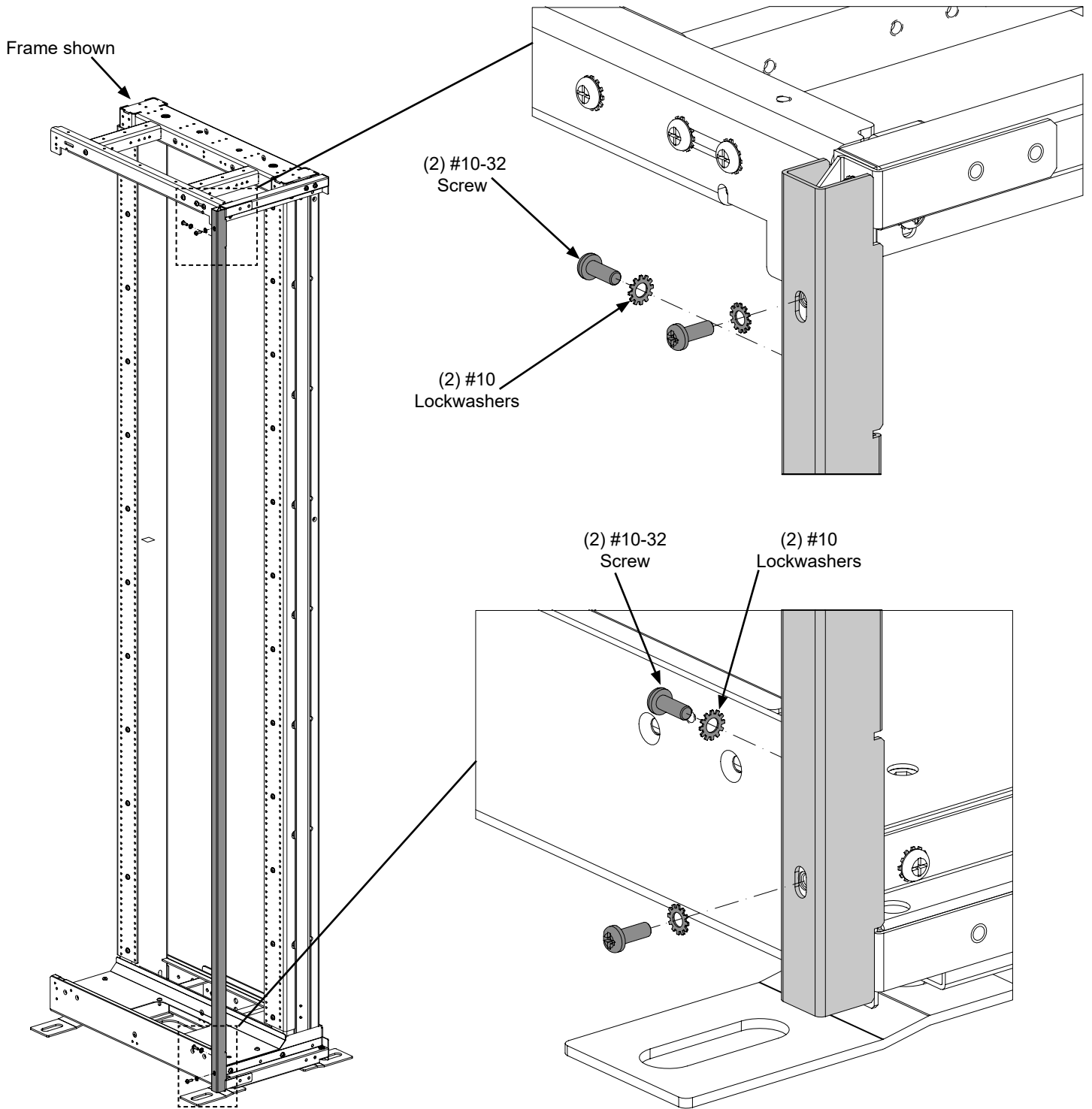
- Install End Panel Top Mount to Frame using (2) #10-32 Screws and (2) #10 Lockwashers.
- Install End Panel Bottom Mount to Frame using (2) #12-24 Screws and (2) #12 Lockwashers.



## For Both Frame and Vertical Cable Manager (VCM) Mounting

### Install Corner Post

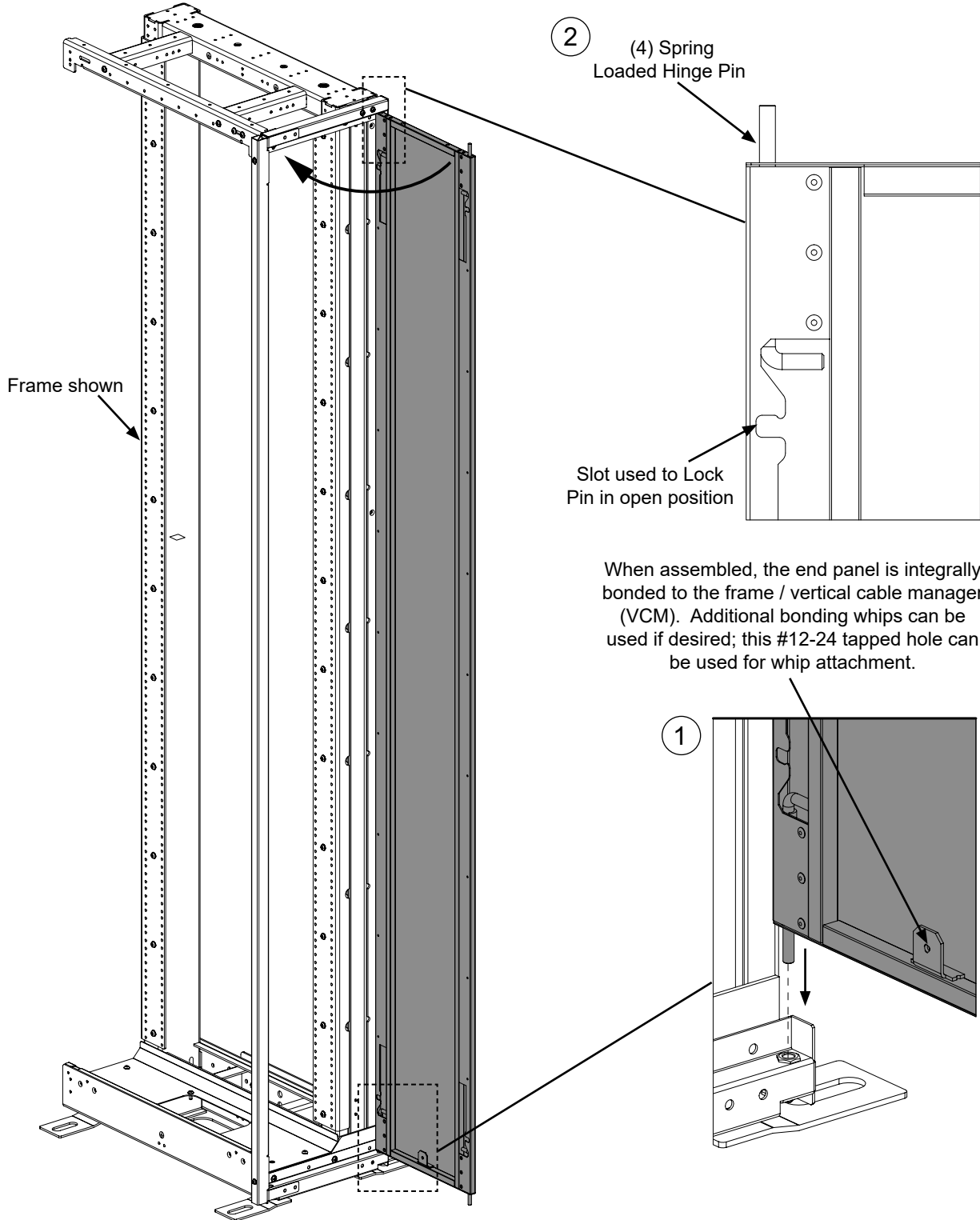
- Secure Corner Post to Corner Post Brackets A,B and Frame using (4) #10-32 Screws and (4) #10 lockwashers



## For Both Frame and Vertical Cable Manager (VCM) Mounting

### Install End Panel Assembly

- Insert (1) Spring Loaded Bottom Hinge Pin into Bushing
- Engage (1) Spring Loaded Top Hinge Pin into Frame
- Swing End Panel toward frame to engage (2) Spring Loaded Hinge Pins



## FlexCore™ System Installation Instructions

Installation Instruction Number	Panduit Part Number	Description
<b>FS190</b>	FDF45**	FlexCore™ Optical Distribution Frame
<b>FS191</b>	FDVCM1545**	FlexCore™ 150mm Vertical Cable Manager
<b>FS192</b>	FDVCM3045**	FlexCore™ 300mm Vertical Cable Manager
<b>FS193</b>	FDF45**X**	FlexCore™ Single Hinge Front Doors
<b>FS194</b>	FDFEP45**	FlexCore™ End Panels
<b>FS198</b>	FDUSP	FlexCore™ Fiber Spool
<b>FS199</b>	FDUSP6	FlexCore™ Fiber Spool 6-pack Color Coordinated Kit
<b>FS200</b>	FDS**-24-***	FlexCore™ Fusion Splice Cassette - Cable to LC Adapter
<b>FS201</b>	FDSN-24	FlexCore™ Fusion Splice Cassette - Cable to Cable
<b>FS203</b>	FDFUE4**	FlexCore™ 4RU Universal Enclosure
<b>FS204</b>	N/A	FlexCore™ Front Access Optical Distribution Frame Patchcord Routing Guide
<b>FS205</b>	FDFRC45**	FlexCore™ Frame Rear Panel
<b>FS206</b>	N/A	FlexCore™ Front Access Ingress/Egress Cabling Guide

For Instructions in Local Languages  
and Technical Support:

[www.panduit.com/resources/install\\_maintain.asp](http://www.panduit.com/resources/install_maintain.asp)

**PANDUIT**

[www.panduit.com](http://www.panduit.com)

E-mail:  
[techsupport@panduit.com](mailto:techsupport@panduit.com)

Phone:  
866-405-6654