

Fiche produit

Article n° Z5.504.7621.0

Passage de câble pour vis PG29 EMC 9 16,0-25,0



| | |
|-------------------|---------------|
| Article n° | Z5.504.7621.0 |
| EAN | 4049088386527 |
| Unité de commande | 10 Piece(s) |

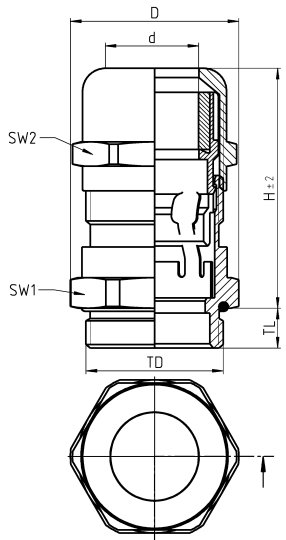
certificats/approbations

Données techniques

général

| | |
|---|-----------------------------|
| longueur du filetage | 9 mm |
| diamètre Min. du câble | 16 mm |
| diamètre Max. du câble | 25 mm |
| Degré de protection (IP) | IP68 |
| matériel | Laiton |
| Couleur | Autre |
| Résistant aux chocs | Oui |
| Protection du rayon de courbure / manchon d'arrondi | Aucun |
| Support de traversé avec serre-câble | Aucun |
| Type de scellement | anneau caoutchouc-/neoprene |
| presse étoupe détachable | Aucun |
| Zone multi-joint | Aucun |
| Type de filetage | Métrique |
| Sans halogène | Oui |
| classe d'inflammabilité des matériaux d'isolation selon la norme UL94 | Autre |

Dessin technique

| <p>A</p> <p>B</p> <p>C</p> <p>D</p> <p>E</p> <p>F</p> |  | <table border="1" style="width: 100%; border-collapse: collapse;"> <thead> <tr> <th>Wieland Teilenummer part number</th> <th>Gewinde Verschraubung thread type of fitting</th> <th>Gewinde Schraubkappe thread type of cap</th> <th>Klemmbereich clamping range Ø mm-max mm</th> <th>Schirm Shield Ø mm-max mm</th> <th>Gewinde-Ø thread-Ø TD mm</th> <th>Gewindelänge thread length TL mm</th> <th>Höhe ohne Gewinde height without thread H mm</th> <th>Verschraubung fitting SW1 mm</th> <th>Schraubkappe cap SW2 mm</th> <th>Außen-Ø outer-Ø D mm max.</th> <th>Innen-Ø inner-Ø D mm min.</th> </tr> </thead> <tbody> <tr> <td>Z5.504.7421.0</td> <td>PG16</td> <td>PG16</td> <td>7,5-14,0</td> <td>5,5-11,5</td> <td>22,5</td> <td>6,5</td> <td>39,5</td> <td>24,0</td> <td>25,0</td> <td>27,5</td> <td>Ø 10,0</td> </tr> <tr> <td>Z5.504.7521.0</td> <td>PG21</td> <td>PG21</td> <td>10,0-18,0</td> <td>7,0-14,0</td> <td>28,3</td> <td>7,0</td> <td>42,5</td> <td>32,0</td> <td>30,0</td> <td>35,5</td> <td>Ø 12,0</td> </tr> <tr> <td>Z5.504.7621.0</td> <td>PG29</td> <td>PG29</td> <td>16,0-25,0</td> <td>12,0-20,0</td> <td>37,0</td> <td>9,0</td> <td>52,5</td> <td>40,0</td> <td>40,0</td> <td>43,5</td> <td>Ø 17,5</td> </tr> </tbody> </table> | Wieland Teilenummer part number | Gewinde Verschraubung thread type of fitting | Gewinde Schraubkappe thread type of cap | Klemmbereich clamping range Ø mm-max mm | Schirm Shield Ø mm-max mm | Gewinde-Ø thread-Ø TD mm | Gewindelänge thread length TL mm | Höhe ohne Gewinde height without thread H mm | Verschraubung fitting SW1 mm | Schraubkappe cap SW2 mm | Außen-Ø outer-Ø D mm max. | Innen-Ø inner-Ø D mm min. | Z5.504.7421.0 | PG16 | PG16 | 7,5-14,0 | 5,5-11,5 | 22,5 | 6,5 | 39,5 | 24,0 | 25,0 | 27,5 | Ø 10,0 | Z5.504.7521.0 | PG21 | PG21 | 10,0-18,0 | 7,0-14,0 | 28,3 | 7,0 | 42,5 | 32,0 | 30,0 | 35,5 | Ø 12,0 | Z5.504.7621.0 | PG29 | PG29 | 16,0-25,0 | 12,0-20,0 | 37,0 | 9,0 | 52,5 | 40,0 | 40,0 | 43,5 | Ø 17,5 | <p>These drawings will be supplied (unless so stated) as follows:</p> <p>1. This drawing</p> <p>2. This drawing</p> <p>3. This drawing</p> <p>4. This drawing</p> <p>5. This drawing</p> <p>6. This drawing</p> |
|---|---|--|---|--|---|---|--|------------------------------------|--|--|------------------------------------|-------------------------------|---------------------------------|---------------------------------|---------------|------|------|----------|----------|------|-----|------|------|------|------|--------|---------------|------|------|-----------|----------|------|-----|------|------|------|------|--------|---------------|------|------|-----------|-----------|------|-----|------|------|------|------|--------|---|
| Wieland Teilenummer part number | Gewinde Verschraubung thread type of fitting | Gewinde Schraubkappe thread type of cap | Klemmbereich clamping range Ø mm-max mm | Schirm Shield Ø mm-max mm | Gewinde-Ø thread-Ø TD mm | Gewindelänge thread length TL mm | Höhe ohne Gewinde height without thread H mm | Verschraubung fitting SW1 mm | Schraubkappe cap SW2 mm | Außen-Ø outer-Ø D mm max. | Innen-Ø inner-Ø D mm min. | | | | | | | | | | | | | | | | | | | | | | | | | | | | | | | | | | | | | | | | |
| Z5.504.7421.0 | PG16 | PG16 | 7,5-14,0 | 5,5-11,5 | 22,5 | 6,5 | 39,5 | 24,0 | 25,0 | 27,5 | Ø 10,0 | | | | | | | | | | | | | | | | | | | | | | | | | | | | | | | | | | | | | | | | |
| Z5.504.7521.0 | PG21 | PG21 | 10,0-18,0 | 7,0-14,0 | 28,3 | 7,0 | 42,5 | 32,0 | 30,0 | 35,5 | Ø 12,0 | | | | | | | | | | | | | | | | | | | | | | | | | | | | | | | | | | | | | | | | |
| Z5.504.7621.0 | PG29 | PG29 | 16,0-25,0 | 12,0-20,0 | 37,0 | 9,0 | 52,5 | 40,0 | 40,0 | 43,5 | Ø 17,5 | | | | | | | | | | | | | | | | | | | | | | | | | | | | | | | | | | | | | | | | |
| | | <p>nach/according to DIN EN 62444 / VDE 0619</p> <p>Gewinde gemäß/thread according to DIN 40430</p> <p>Material Verschraubung/material fitting Messing/brass / PA 6 UL94-V2</p> <p>Material Verschraubungsdichtung/material seat of fitting CR</p> <p>Material O-Ring/material O-ring NBR</p> <p>Schutzklasse nach/protection class according to DIN EN 60529 IP 66-68</p> <p style="text-align: center;">frei von lackbenetzungsstörenden Substanzen (Silikonfrei)/ free from substances that prevent paint adhesion (silicon free)</p> <p style="text-align: center;">Weitere Daten siehe KATALOG oder eKatalog additional data see CATALOG or eCATALOG www.wieland-electric.com eshop.wieland-electric.com</p> <p style="font-size: small;">Toleranzierung Size ISO 14405 () / Tolerance system Size ISO 14405 () j5/j6 <input checked="" type="checkbox"/> Stoffverbot und Deklarationsliste nach VW 50200 ist einzuhalten (This ISO standard describes the envelope principle. According to the envelope principle, the deviations of form and position are limited by the size tolerances.) (Accordingly with Wieland document VW 50200 a list of prohibited / delectable hazardous substances to be declared)</p> <p>Freitoleranz nach General tolerance <input checked="" type="checkbox"/> AD - Zeichnung, keine manuellen Änderungen <input type="checkbox"/> Verwendung <input type="checkbox"/> Blatt: 1 von 1 AS - drawing, no manual modifications allowed first use Sheet: 1 of 1</p> <table border="1" style="width: 100%; border-collapse: collapse;"> <tr> <td style="width: 10%;"></td> <td style="width: 10%; text-align: center;">Werkstoff / Material</td> <td style="width: 10%;"></td> <td style="width: 10%;"></td> <td style="width: 10%;"></td> <td style="width: 10%;"></td> <td style="width: 10%;"></td> <td style="width: 10%;"></td> <td style="width: 10%;"></td> <td style="width: 10%;"></td> <td style="width: 10%;"></td> <td style="width: 10%;"></td> </tr> <tr> <td style="text-align: center;">2:1</td> <td></td> <td></td> <td></td> <td></td> <td></td> <td></td> <td></td> <td></td> <td></td> <td></td> <td></td> </tr> </table> <p style="text-align: right;">Maße in mm / Dimensions are in mm</p> <p style="text-align: center;">wieland www.wieland-electric.com</p> <p style="text-align: center;">KABELVERSCHRAUBUNG EMW PG, Metall EMC PG, metal</p> <p style="text-align: right;">Zeichnung Nr. / Drawing No. T Z5.504.7021.0 13K Index - Änderung / Revision</p> | | | Werkstoff / Material | | | | | | | | | | | 2:1 | | | | | | | | | | | | | | | | | | | | | | | | | | | | | | | | | | | |
| | Werkstoff / Material | | | | | | | | | | | | | | | | | | | | | | | | | | | | | | | | | | | | | | | | | | | | | | | | | | |
| 2:1 | | | | | | | | | | | | | | | | | | | | | | | | | | | | | | | | | | | | | | | | | | | | | | | | | | | |