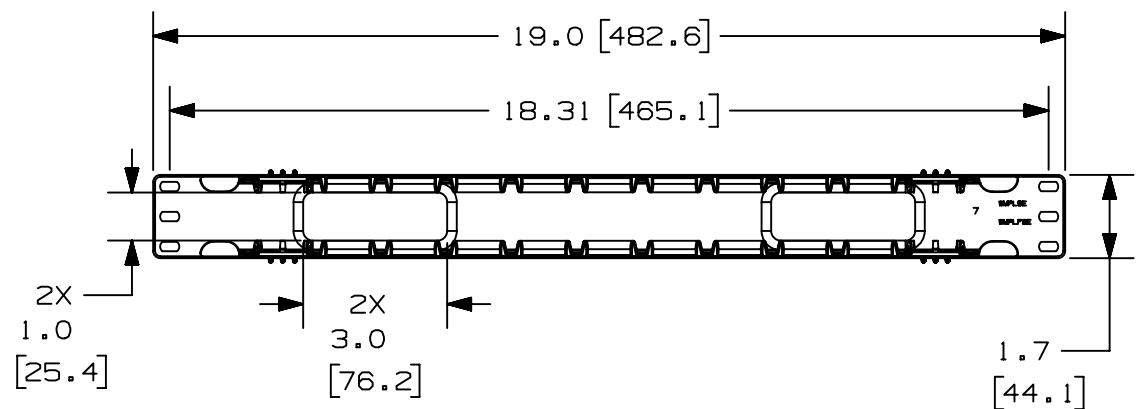


2

1

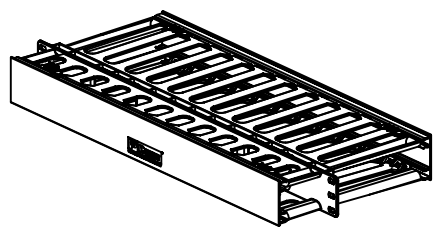
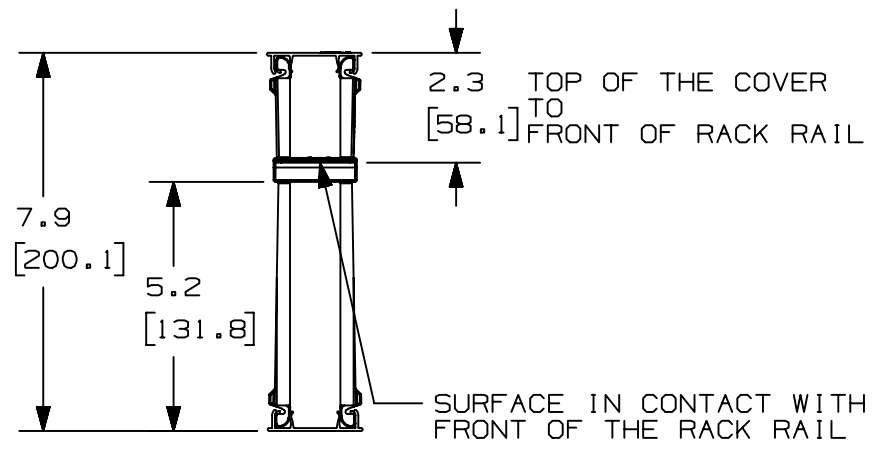
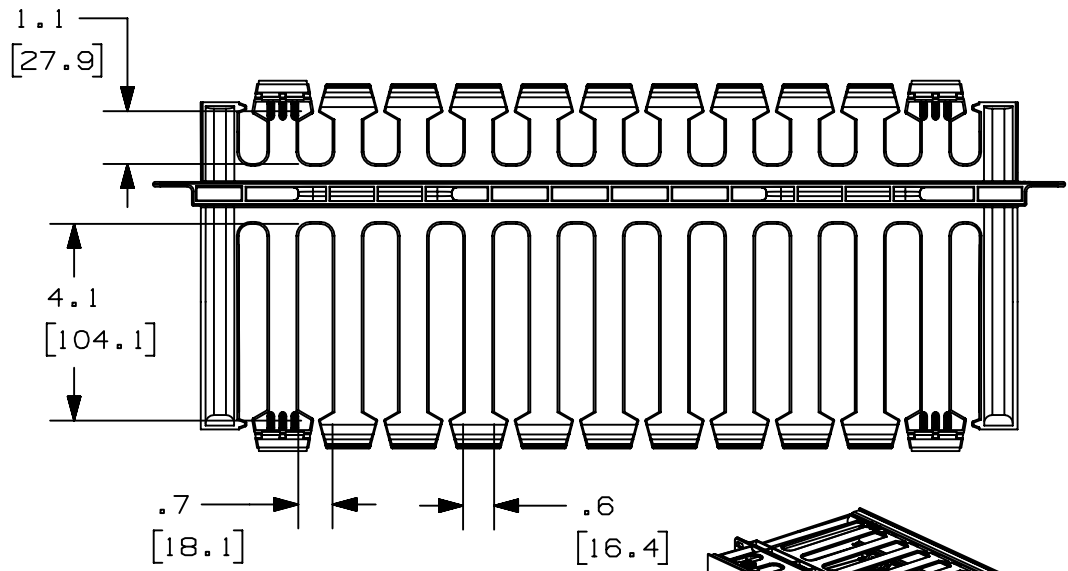
THIS COPY IS PROVIDED ON A RESTRICTED BASIS AND IS NOT TO BE USED IN ANY WAY DETRIMENTAL TO THE INTERESTS OF PANDUIT CORP.



PANDUIT P/N	WEIGHT
WMPLSE	1.9 LBS/EACH 862 g/EACH

- NOTES:
- DESIGNED FOR MOUNTING ON 19" EIA RACKS.
 - COMPONENTS:
1- MANAGER
2- 17" DUAL HINGED COVERS
4- #12-24 x 1/2" SCREWS
2- STRAIN RELIEF CLIPS
 - DIMENSIONS IN PARENTHESES ARE METRIC.

MAX STORAGE TEMPERATURE 65° C (149° F)
MAX OPERATING TEMPERATURE 60° C (140° F)



TITLE										
WMPLSE HORIZONTAL MANAGER										
CUSTOMER DRAWING										
ITEM REVISION NAME					V10101LS/05					
DATASET FILE NAME					V10101LS_DC/05B					
					THIRD ANGLE PROJECTION					
MATERIAL					ABS					
DRAWING NUMBER					10101-22					
DRAWN BY					DATE		CHK		SCALE	
JDWE					12-17-02		MECA		NONE	
SHEET 1 OF 1					A					

A-SIZE CUSTOMER

05B	5-11-20	JBO	JCO	JEFK	ADDED TEMPERATURE NOTE	M09000LT
REV	DATE	BY	CHK	APR	DESCRIPTION	ECN

2

1