



Product designation	Surge Protection Device (SPD)
Product type designation	SG2DG
Operating voltage type	DC
Application	DC Power lines
Number of DIN modules	2
Relay output	Yes
SPD according to EN50539-11	Yes

Electrical features

Rated operational voltage DC	VDC	600
Maximum continuous voltage Ucpv	V	600
IEC Maximum discharge current I _{max} 8/20 (L-N/N-PE)	kA	30
IEC Rated discharge current (IEC) I _n 8/20 (L-N/N-PE)	kA	20
IEC Voltage protection level U _p (L-N/N-PE)	kV	<1.9
Tripping time t _a (L-N/N-PE)	ns	<25
Thermal insulation protection		YES
Backup protection fuse (IEC) with I _{sc} >100A	Class/A	100A gPV
Maximum short circuit current I _{scpv}	kA	0.1
Status indicator - operating / end of life		Frontal indication/Aux contact

Ambient conditions

Operating temperature	min	°C	-40
	max	°C	+85
Max altitude		m	2000

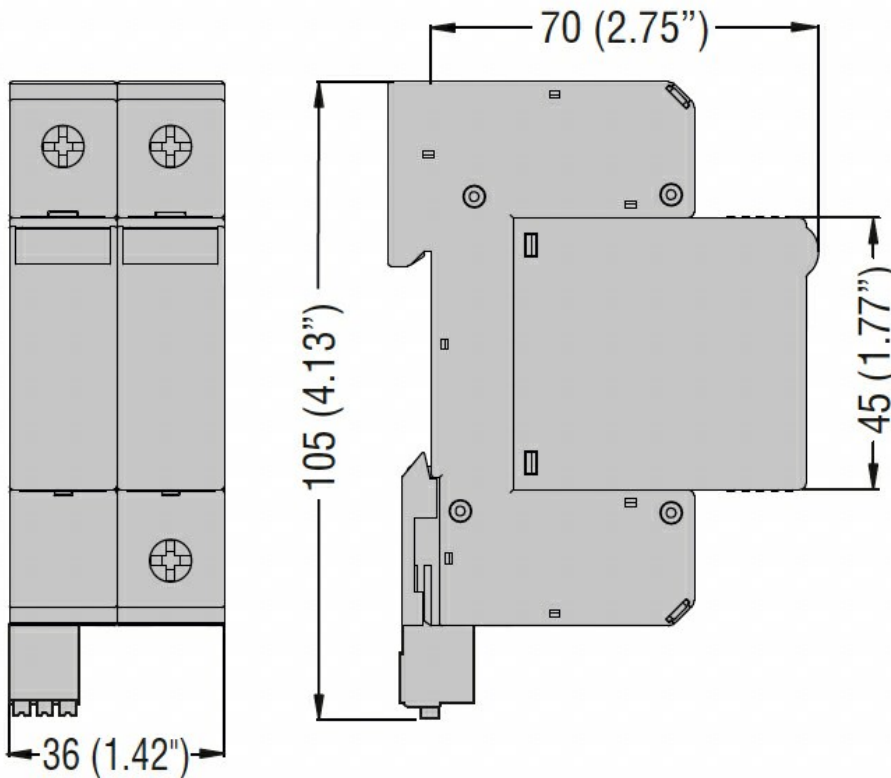
Mechanical features

Fixing		Din rail
Conductor section Flexible max (IEC)	mm ²	25
Conductor section Rigid max (IEC)	mm ²	35
Weight	g	325

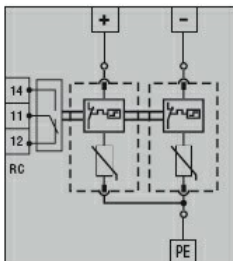
Relay output for remote status indication

Rated current at	125V AC	A	3
	250V AC	A	1
	12V DC	A	0.5
	24V DC	A	0.5
	48V DC	A	0.5
	125V DC	A	0.2
	250V DC	A	0.1

Dimensions



Wiring diagrams



Certifications and compliance

Compliance

IEC/EN/BS 50539-11

Certificates

EAC

ETIM classification

ETIM 8.0

EC000941 -
Surge protection
device for power
supply systems