

Part number

# TMAV 06 L32



Hood, T-TYPE series, with 2 pegs, M32 top cable entry, size "44.27", high construction

#### Product description

<b>Product type</b>	Hood
<b>Series</b>	T-TYPE
<b>Closing type</b>	With 2 pegs
<b>Size</b>	Size 44.27
<b>Cable entry</b>	Top cable entry M32
<b>Specification</b>	High construction

#### Technical data

**IP degree of protection** IP65

#### Further technical details

<b>Weight</b>	89,00 g
<b>Operating temperature range (min, max)</b>	-40°C ... +90°C

#### Material properties

<b>Main material</b>	Polypropylene (PP)
<b>Colour</b>	RAL 7012 grey
<b>RoHs conformity</b>	Compliant
<b>China RoHs - EFUP</b>	E
<b>REACH SVHC substances</b>	No

#### Approvals / Standards

<b>UL</b>	ECBT2
<b>cUL</b>	ECBT8

#### General ordering information

<b>EAN13 code</b>	8015747168748
<b>eCl@ss 8.1</b>	27440202
<b>ETIM 7.0</b>	EC000437

#### Packaging Information

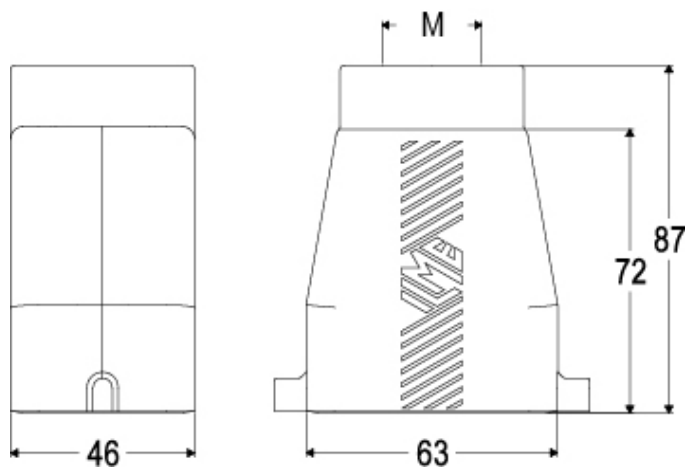
<b>Packaging length</b>	270,00 mm
<b>Packaging height</b>	210,00 mm
<b>Packaging width</b>	165,00 mm
<b>Packaging weight</b>	1,78 kg
<b>Packaging volume</b>	9,36 dm <sup>3</sup>
<b>Packaging description</b>	Carton box
<b>Packaging quantity</b>	20 Pcs
<b>Packaging EAN code</b>	8015747171267
<b>Sub-packaging weight</b>	0,45 kg
<b>Sub-packaging description</b>	Plastic packaging
<b>Sub-packaging quantity</b>	5 Pcs
<b>Sub-packaging EAN barcode</b>	8015747171274

Part number

# TMAV 06 L32



## Catalogue drawings



## Notes

Dimensions shown in mm are not binding and may be changed without notice.

---