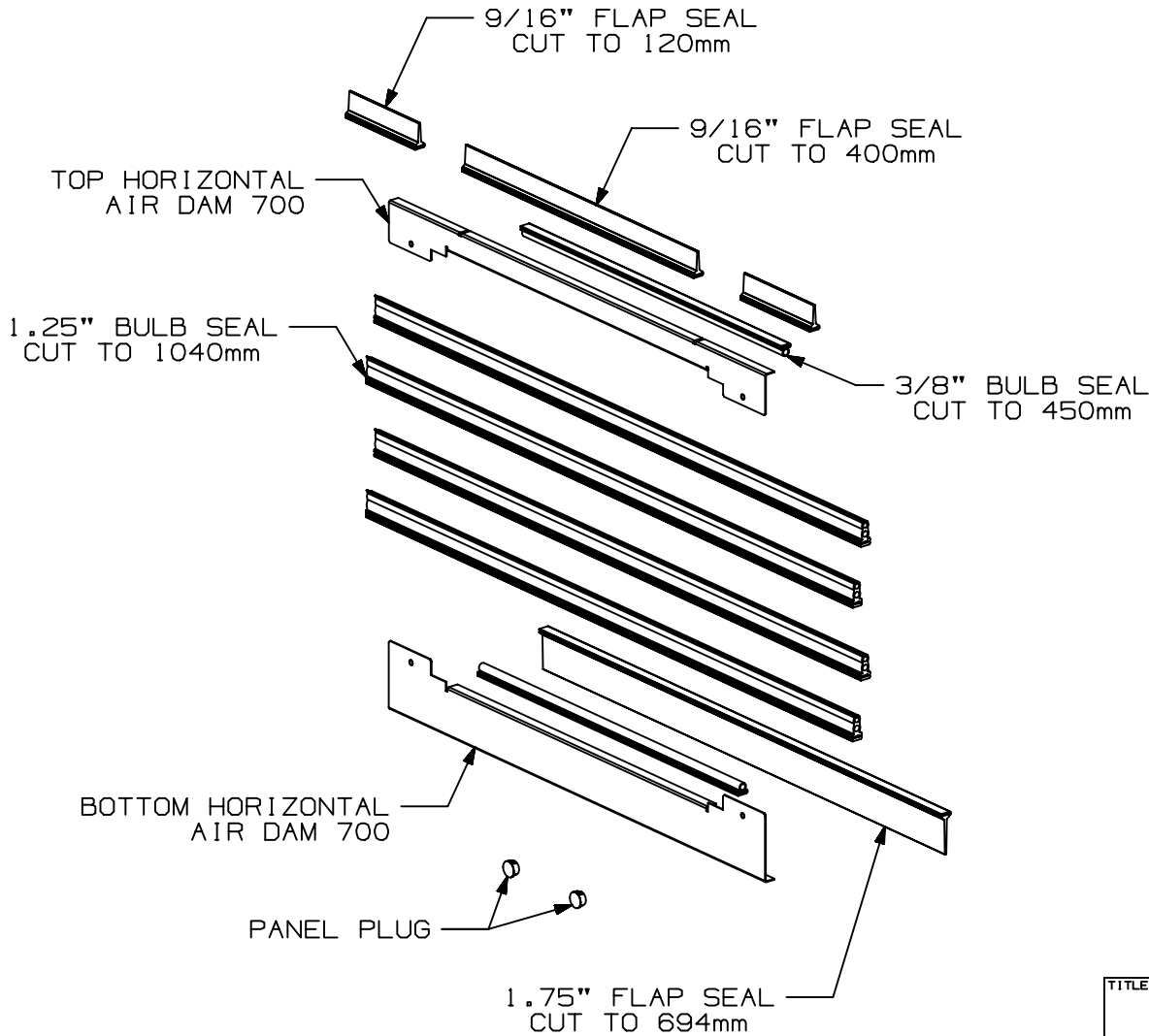


THIS COPY IS PROVIDED ON A RESTRICTED BASIS AND IS NOT TO BE USED IN ANY WAY DETRIMENTAL TO THE INTERESTS OF PANDUIT CORP.

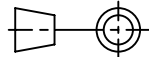


NOTES:

1. VISIT OUR ON-LINE CATALOG AT WWW.PANDUIT.COM FOR A LIST OF CURRENT PARTS APPLICABLE FOR USE WITH THIS PRODUCT.
2. PRIMARY DIMENSIONS ARE IN MILLIMETERS.
3. PARTS SUPPLIED:
 - (1) TOP HORIZONTAL AIR DAM
 - (1) BOTTOM HORIZONTAL AIR DAM
 - (2) 9/16" FLAP SEAL CUT TO 120mm
 - (1) 9/16" FLAP SEAL CUT TO 400mm
 - (4) 1.25" BULB SEAL CUT TO 1040mm
 - (2) 3/8" BULB SEAL CUT TO 450mm
 - (1) 1.75" FLAP SEAL CUT TO 694mm
 - (2) PANEL PLUG
 - (4) M5 FLANGE HEX NUT (NOT SHOWN)
 - (1) INSTALLATION INSTRUCTIONS (NOT SHOWN)
4. ALL FLAP AND BULB SEALS ARE BLACK, REGARDLESS OF KIT COLOR, ONLY TOP HORIZONTAL AND BOTTOM HORIZONTAL AIR DAMS ARE PAINTED BLACK OR WHITE.

PANDUIT PART NO.	WEIGHT
XG-ADS7*	2.9 Kg 6.4 lbs

* DENOTES COLOR
ADD SUFFIX "B" FOR BLACK
AND "W" FOR WHITE.

TITLE		FLEXFUSION 700 AIR DAM SEAL KIT (XG-ADS7B & XG-ADS7W)	
		CUSTOMER DRAWING	
ITEM REVISION NAME		00460EIF/00	
DATASET FILE NAME		00460EIF_DC/00B	
		PANDUIT	
		MATERIAL:	
		N/A	
		DRAWING NUMBER:	
		00460EIF_DC	
		THIRD ANGLE PROJECTION	
DRAWN BY	DATE	CHK	SCALE
MEX-JAGC	6/9/21	EWSA	NONE
REV		SHT 1 OF 2	
DATE		SIZE	
6/15/21		A	

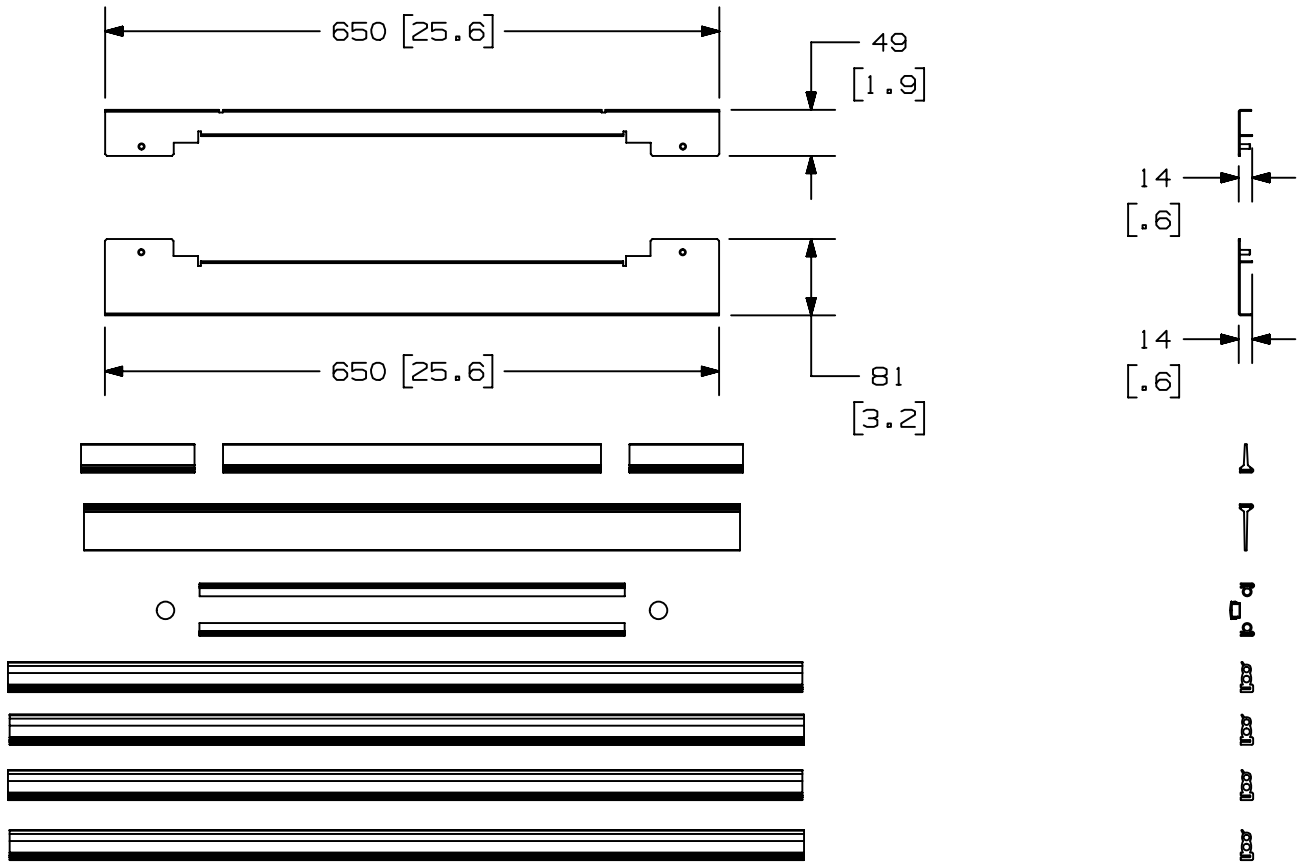
00B	6/15/21	MEX-JAGC	EWSA	ELE	DRAWING RELEASE	V09002EW/03
REV	DATE	BY	CHK	APR	DESCRIPTION	ECN

XGLOBAL-ASIZE

2

1

THIS COPY IS PROVIDED ON A RESTRICTED BASIS AND IS NOT TO BE USED IN ANY WAY DETRIMENTAL TO THE INTERESTS OF PANDUIT CORP.



TITLE		FLEXFUSION 700 AIR DAM SEAL KIT (XG-ADS7B & XG-ADS7W) CUSTOMER DRAWING	
ITEM REVISION NAME		00460EIF/00	
DATASET FILE NAME		00460EIF_DC/00B	
DRAWING NUMBER:		00460EIF_DC	
MATERIAL:		N/A	
DRAWN BY		MEX-JAGC	
DATE		6/9/21	
CHK		EWSA	
SCALE		NONE	
SHT 2 OF 2		A	

REV	DATE	BY	CHK	APR	DESCRIPTION	ECN
00B	6/15/21	MEX-JAGC	EWSA	ELE	DRAWING RELEASE	V09002EW/03

2

1

GLOBAL_SIZE

B

B

A

A