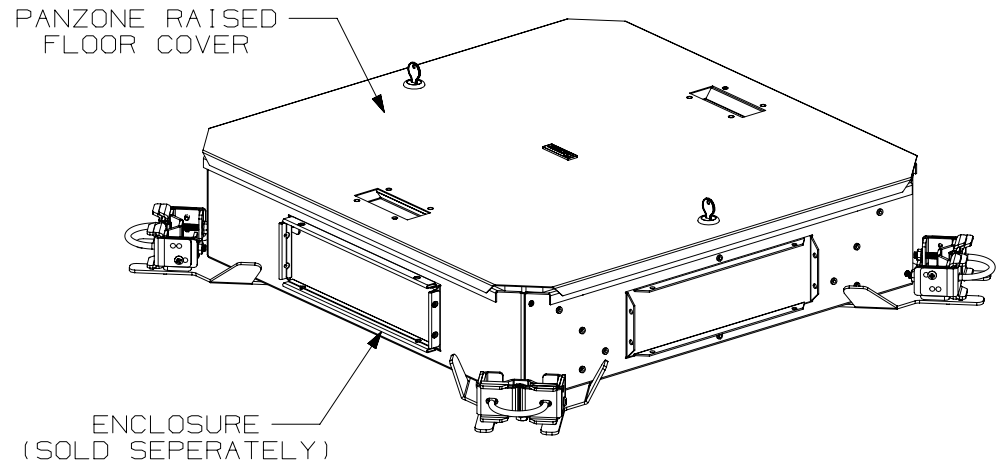
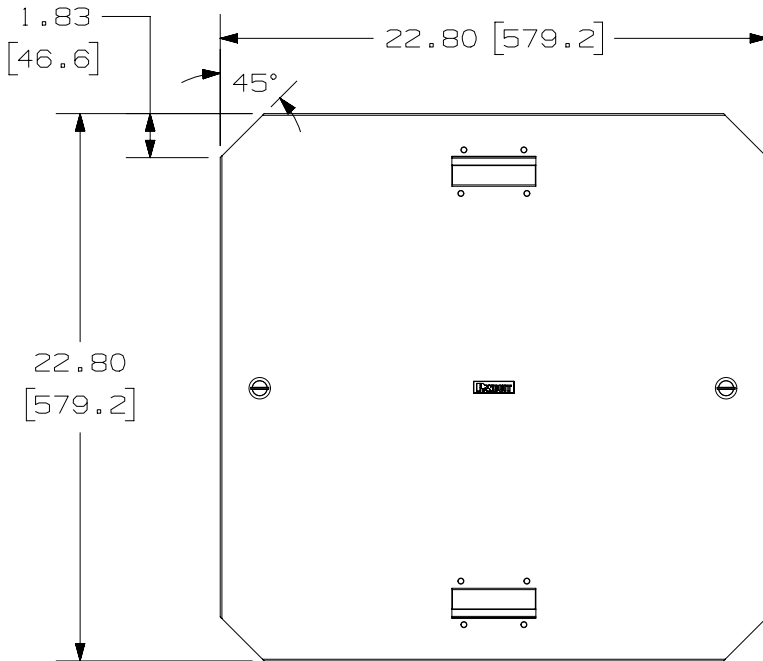
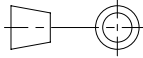



THIS COPY IS PROVIDED ON A RESTRICTED BASIS AND IS NOT TO BE USED IN ANY WAY DETRIMENTAL TO THE INTERESTS OF PANDUIT CORP.

NOTES:

1. VISIT OUR ON-LINE CATALOG AT WWW.PANDUIT.COM FOR A LIST OF CURRENT PARTS APPLICABLE FOR USE WITH THIS PRODUCT.
2. DIMENSIONS IN [] ARE METRIC.
3. ALL MATERIALS AND COMPONENTS USED MEET THE MATERIAL RESTRICTIONS OF RoHS (EUROPEAN DIRECTIVE 2011/65/EU ON THE RESTRICTION OF HAZARDOUS SUBSTANCES) AS PROPOSED BY THE RoHS TECHNICAL ADAPTATION COMMITTEE.
4. WEIGHT: 3.0 LB [1361 g]
5. PART INCLUDES:
 - 1- ENCLOSURE COVER
 - 2- LOCKS
 - 1- FOAM GASKET KIT



PART NUMBER		PZRFC, FLEX-ZRFECG		
TITLE		PANZONE RAISED FLOOR COVER		
CUSTOMER DRAWING				
ITEM REVISION NAME		V10560BE/06		
DATASET FILE NAME		V10560BE_DC/06C		
 THIRD ANGLE PROJECTION				
MATERIAL		STEEL		
DRAWING NUMBER		V10560BE - DC		
DRAWN BY	DATE	CHK	SCALE	SIZE
RYB	1-15-08		NONE	A
SHEET 1 OF 1				

REV	DATE	BY	CHK	APR	DESCRIPTION	ECN
06C	3-8-22	TWV	JSP	BETI/ANJA	ADDED PART NUMBER FLEX-ZRFECG	V10560BE-DC
06B	7-27-16	TWV	BAME	KRKE	ADDED INSTALLATION VIEW	V10560BE-DC

A-SIZE CUSTOMER