

ball valve Art. 566



566
566 F

M/M full port ball valve in hot forged brass. Nickel plated.

PN 30. Max.150°C.

Ends threaded to ISO 228 (DIN 259 BSP 2779).

Art. 566 with steel lever.

Art. 566 F with steel T-handle.

Sizes: from 1/2" up to 1"

WORKING PRESSURE

for saturated steam (+150°C)

5 bar

for water, oil and non aggressive fluids (+25°C)

30 bar

WORKING TEMPERATURE

Min. -20°C

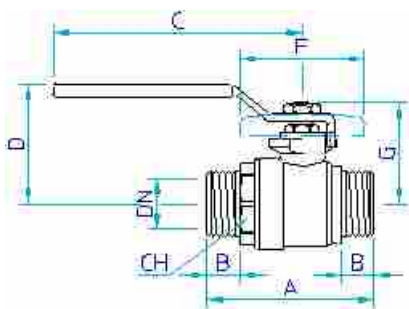
Max. +150°C

TEST PRESSURE

seal pneumatic test

6,5 bar

Dimensions



COMPONENTS

MATERIAL-TREATMENT

Q.

Handle	Steel; Dacromet plated; PVC covered	1
Nut	Brass P-CuZn40Pb2; Nickel plated	1
Stem	Brass P-CuZn40Pb2	1
Packing gland	Brass P-CuZn40Pb2	1
Stem packing	P.T.F.E.	2
Washer	Brass P-CuZn40Pb2	1
Tailpiece	Brass P-CuZn40Pb2; Nickel plated	1
Ball seals	P.T.F.E.	2
Ball	Brass P-CuZn40Pb2; Chrome plated	1
Body	Brass P-CuZn40Pb2; Nickel plated	1

Size	1/4"	3/8"	1/2"	3/4"	1"	1 1/4"	1 1/2"	2"
A	-	-	56	67	78	-	-	-
B	-	-	12	13	15	-	-	-
C	-	-	100	100	120	-	-	-
D	-	-	46	49	62	-	-	-
F	-	-	50	50	60	-	-	-
G	-	-	38	41	47	-	-	-
CH	-	-	25	31	38.5	-	-	-
DN	-	-	15	20	25	-	-	-
Gr.	-	-	204	294	481	-	-	-
M.Carton								
566	-	-	168	126	48	-	-	-
566 F	-	-	192	126	48	-	-	-