




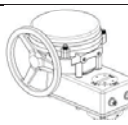
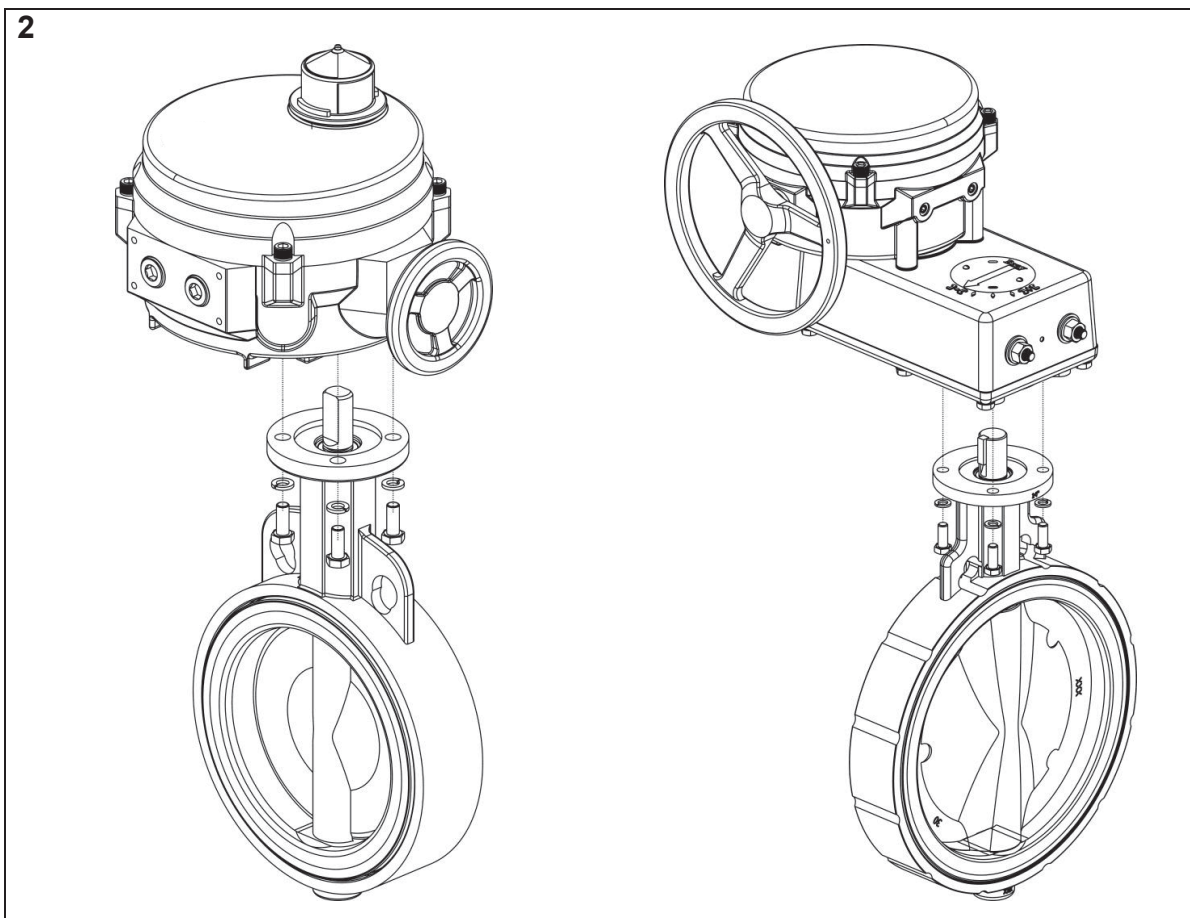


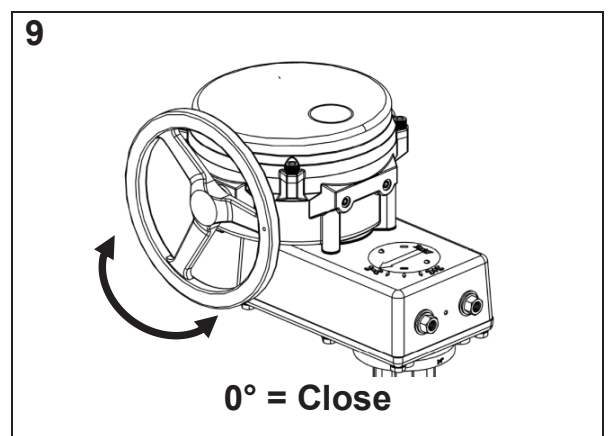
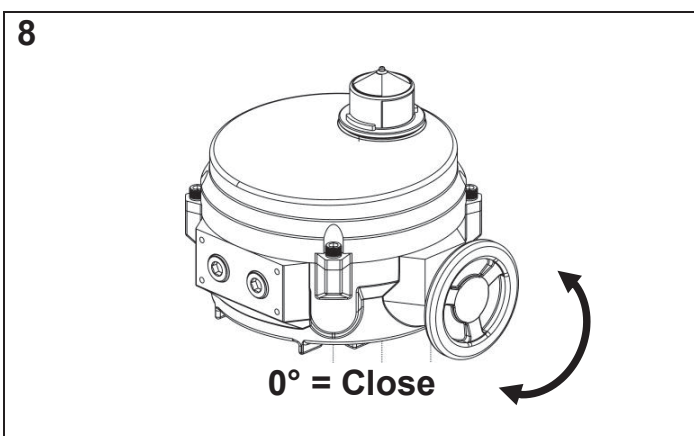
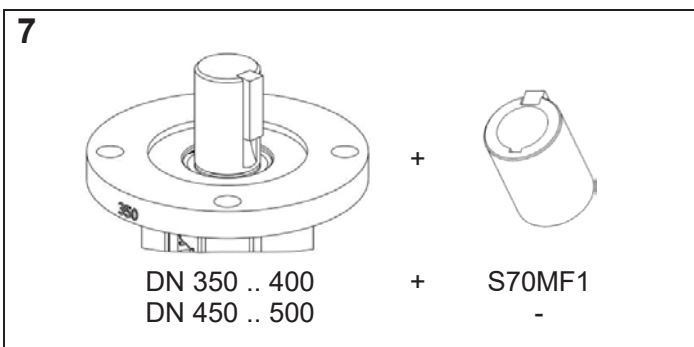
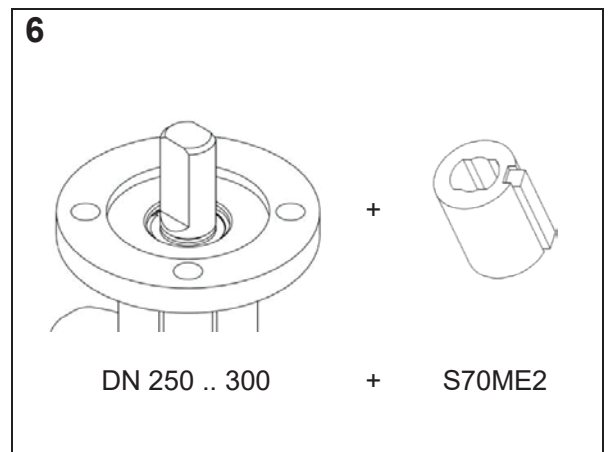
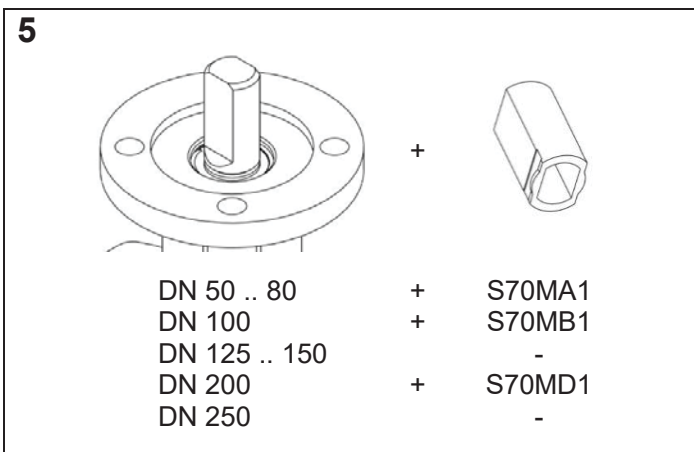
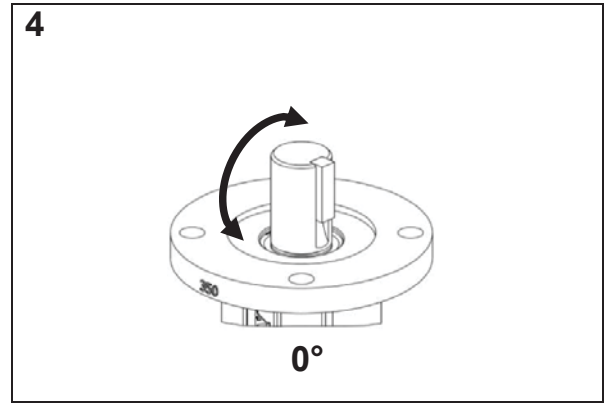
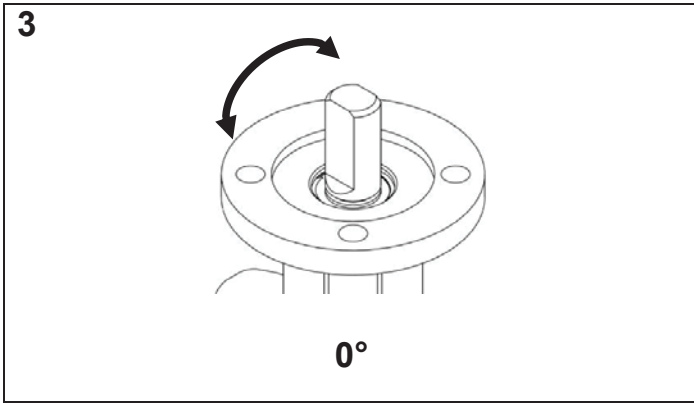
# MF68-2050

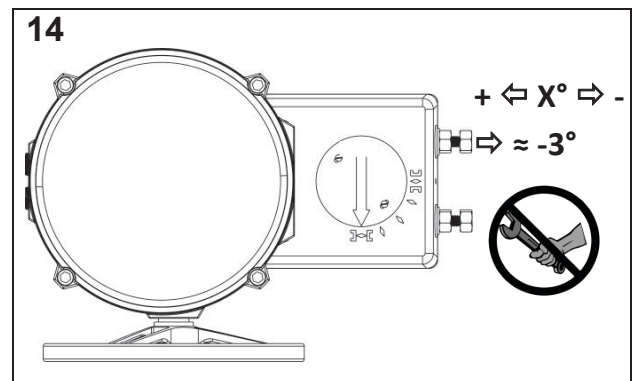
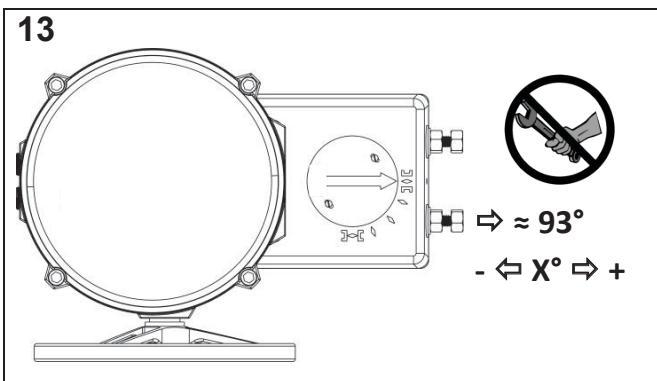
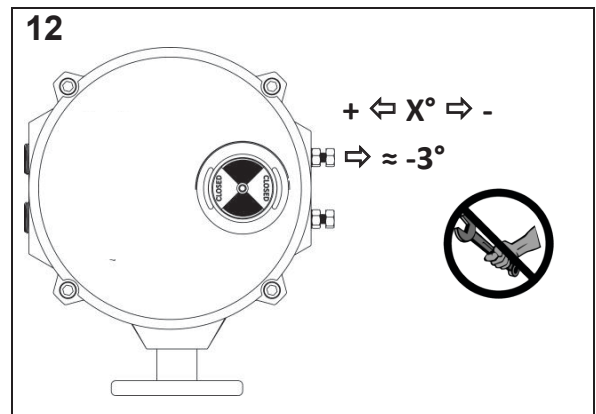
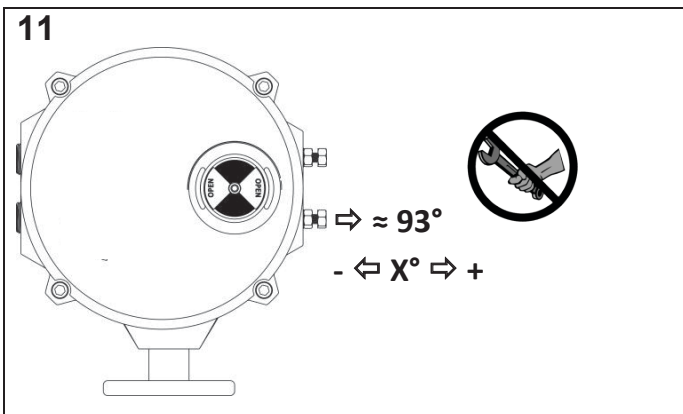
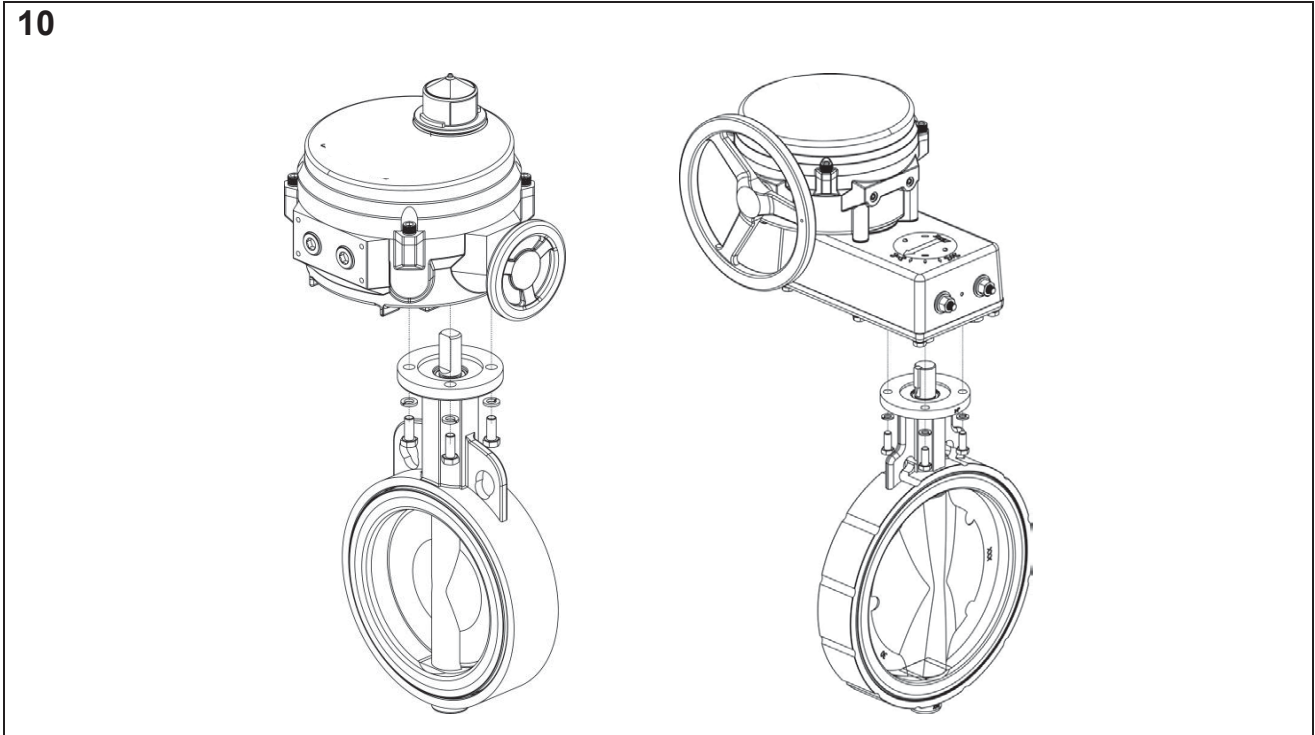
## Butterfly Valve Actuator

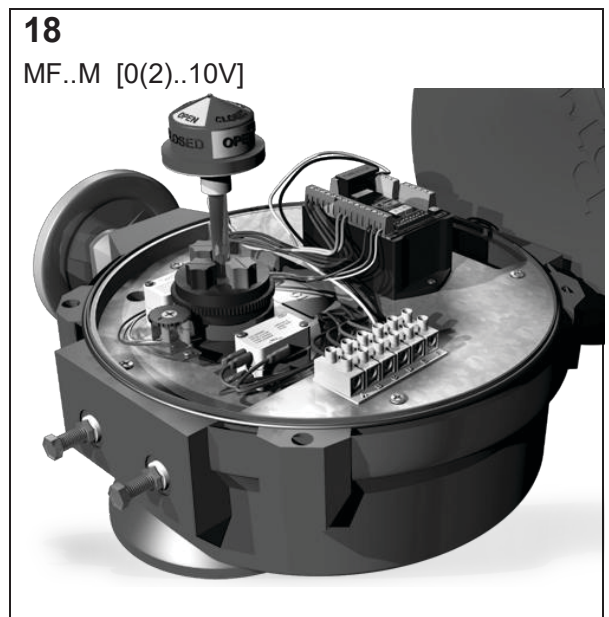
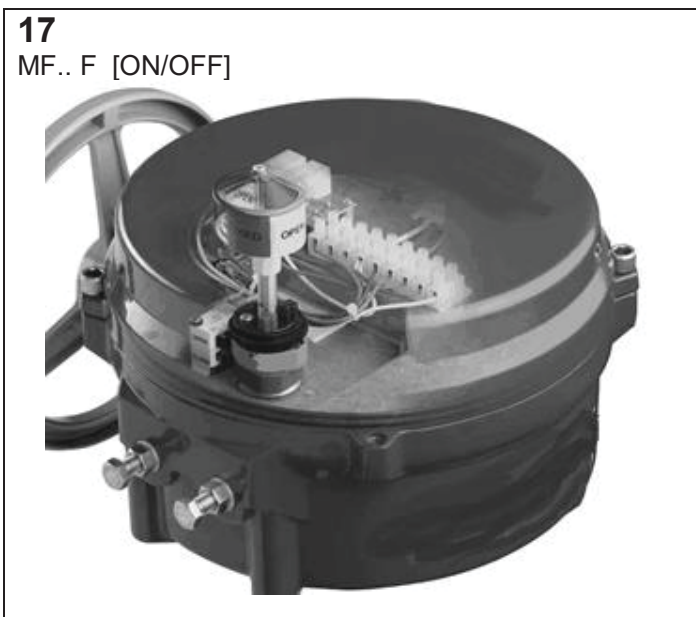
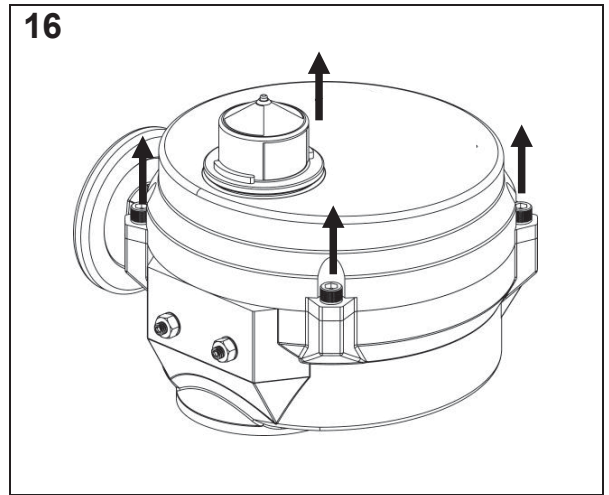
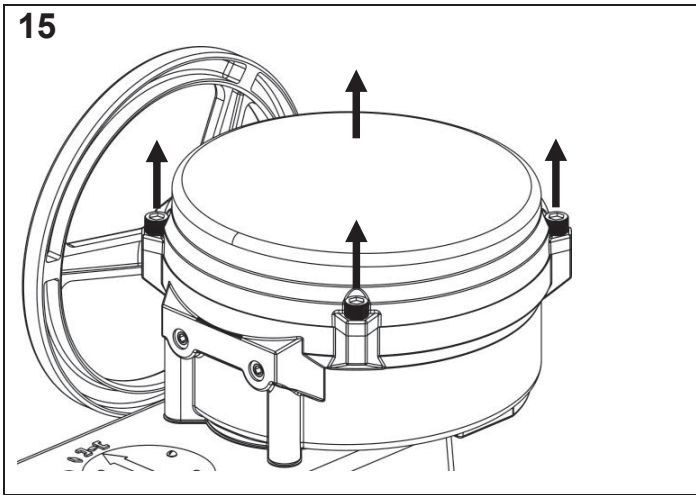
**1**

Actuator	VF209W.. VF299W..  DN					
MF68..	050 .. 080		4 x	M 8	+ S70MA1	
	100		4 x	M 8	+ S70MB1	
	125 .. 150		4 x	M 8	✓	
MF200..	200		4 x	M 12	+ S70MD1	
	250		4 x	M 12	✓	
MF550/700..	250 .. 300		4 x	M 12	+ S70ME2	
	350 .. 400		4 x	M 12		+ S70MF1
	450		4 x	M 20		✓
MF700..	500		4 x	M 20		✓
MF1450..	400		4 x	M 12		+ S70MF1
	450		4 x	M 20		✓
MF2050..	500		4 x	M 20		✓

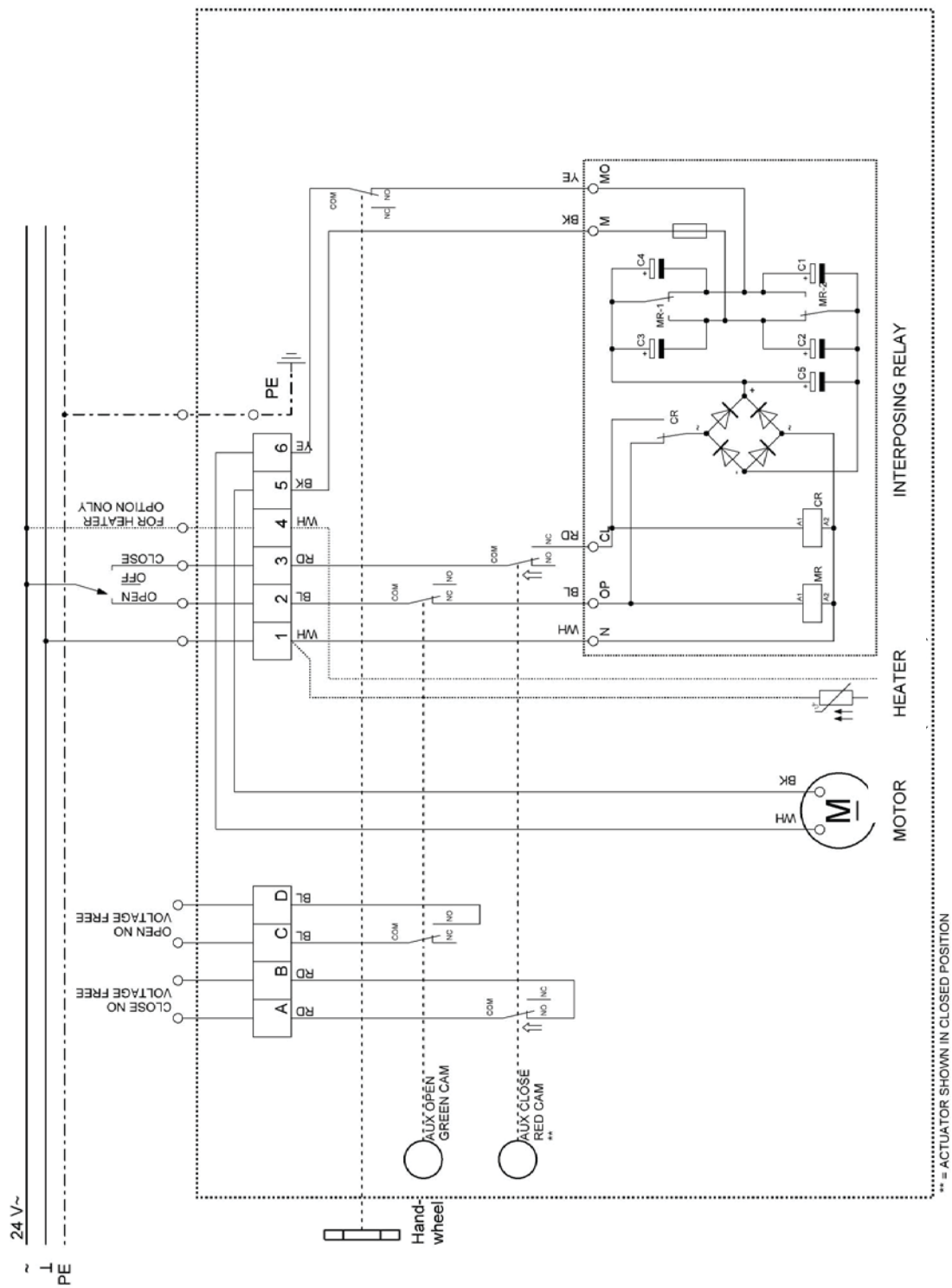




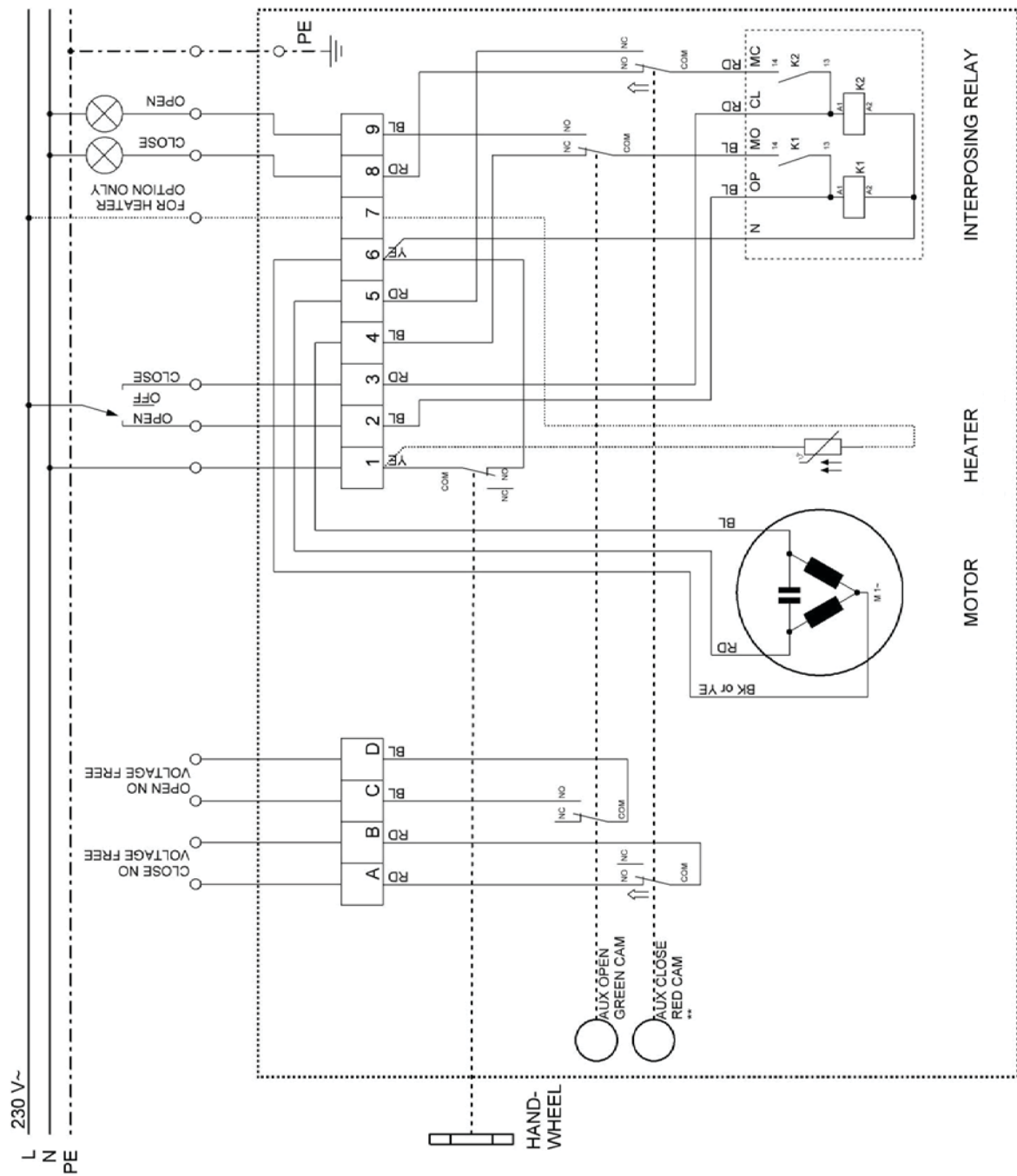




19



20



\*\* = ACTUATOR SHOWN IN CLOSED POSITION

