

Part number

# CKAXS 03 I



Bulkhead mounting housing, EMC series, with 1 lever, size "21.21"

#### Product description

<b>Product type</b>	Bulkhead mounting housing
<b>Series</b>	EMC
<b>Closing type</b>	With 1 lever
<b>Size</b>	Size "21.21"
<b>Cable entry</b>	Without cable entry

#### Technical data

<b>IP degree of protection</b>	IP44 - IP66 / IP67 / IP69 with CKR 65 (D)
--------------------------------	---

#### Further technical details

<b>Weight</b>	34,00 g
<b>Operating temperature range (min, max)</b>	-40°C...+125°C

#### Material properties

<b>Main material</b>	Zinc die-cast
<b>Other materials</b>	Lever: Stainless steel Gasket: Conductive elastomer
<b>Colour</b>	RAL 7040 grey
<b>RoHs conformity</b>	Compliant
<b>China RoHs - EFUP</b>	E
<b>REACH SVHC substances</b>	No

#### Approvals / Standards

<b>Certifications</b>	DNV, BV
<b>UL</b>	ECBT2
<b>cUL</b>	ECBT8

#### General ordering information

<b>EAN13 code</b>	8015747027779
<b>eCl@ss 8.1</b>	27440202
<b>ETIM 7.0</b>	EC000437

#### Packaging Information

<b>Packaging length</b>	330,00 mm
<b>Packaging height</b>	230,00 mm
<b>Packaging width</b>	205,00 mm
<b>Packaging weight</b>	4,32 kg
<b>Packaging volume</b>	15,56 dm <sup>3</sup>
<b>Packaging description</b>	Carton box
<b>Packaging quantity</b>	100 Pcs
<b>Packaging EAN code</b>	8015747233958
<b>Sub-packaging length</b>	185,00 mm
<b>Sub-packaging height</b>	40,00 mm
<b>Sub-packaging width</b>	155,00 mm
<b>Sub-packaging weight</b>	0,43 kg
<b>Sub-packaging volume</b>	1,15 dm <sup>3</sup>
<b>Sub-packaging description</b>	Carton box
<b>Sub-packaging quantity</b>	10 Pcs
<b>Sub-packaging EAN barcode</b>	8015747233965

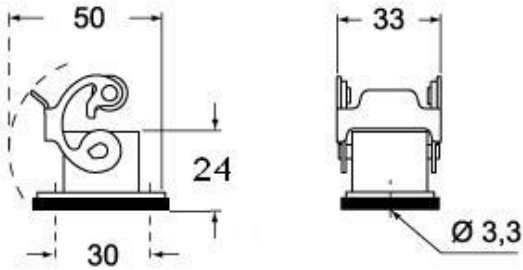
Part number

# CKAXS 03 I

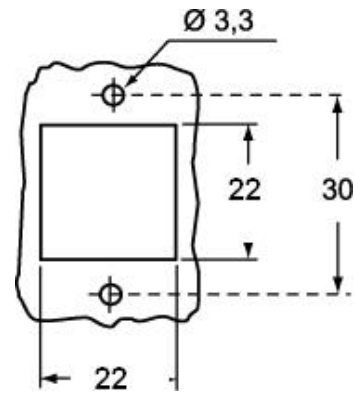


Catalogue drawings

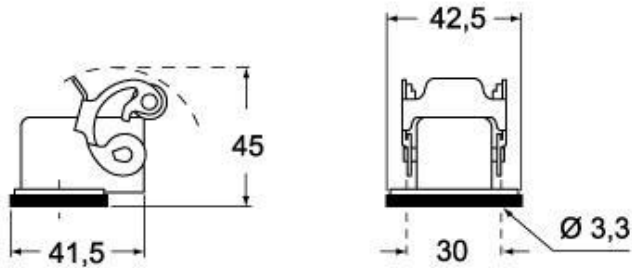
## CKAXS I



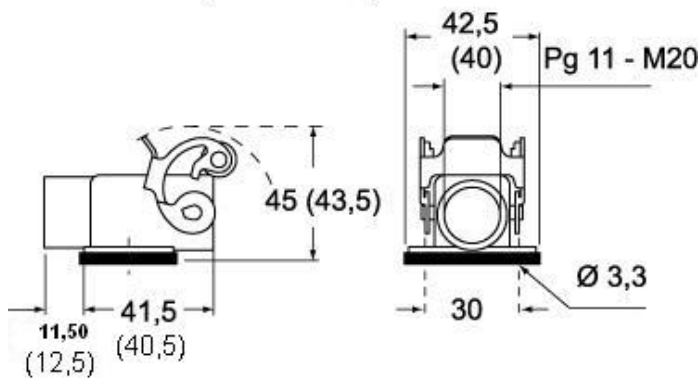
Catalogue drawings



## CKAXS IA



## CKAXS IAP (CKAXS AP) MKAXS IAP (MKAXS AP)



## Notes

Dimensions shown in mm are not binding and may be changed without notice.