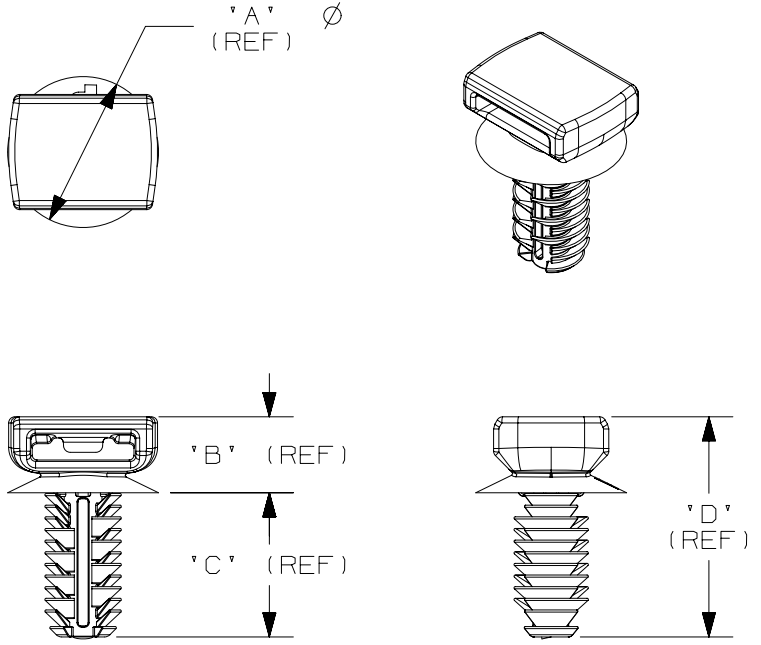


THIS COPY IS PROVIDED ON A RESTRICTED BASIS AND IS NOT TO BE USED IN ANY WAY DETRIMENTAL TO THE INTERESTS OF PANDUIT CORP.

PANDUIT PART NUMBER	USE WITH CABLE TIES	DIMENSIONS				MATERIAL	WEIGHT grams/100 pcs
		'A'	'B'	'C'	'D'		
PUME925-_350	M, I, S, LH, H, EH	0.768 (19.5)	0.395 (10.0)	0.751 (19.1)	1.146 (29.1)	IMPACT MODIFIED HEAT STABLE WEATHER RESISTANT NYLON 6/6 BLACK	239.5



NOTES:

- SEE CURRENT PRICE SHEET FOR PART NUMBER SUFFIX DESIGNATION FOR PACKAGE SIZE, AND COLOR.
- (*) DIMENSIONAL VARIANCE IS POSSIBLE DUE TO MOLDING PROCESS RELATED SINK MARKS.
- APPLICATION SPECIFICATION:
 HOLE DIAMETER: 8.8 - 9.3 mm
 PANEL THICKNESS: 1.0 - 16.0 mm

REV	DATE	BY	CHK	APR	DESCRIPTION	ECN
03	2-16-17	DJSL	MSAD		DRAWING RELEASED	012823/00

TITLE		HEAVY DUTY UMBRELLA FIR TREE PUSH MOUNT	
CUSTOMER DRAWING			
ITEM REVISION NAME	00076SBE/03	PANDUIT	
DATASET FILE NAME	00076SBE_DC/REV03		
UNLESS OTHERWISE SPECIFIED, DIMENSIONAL TOLERANCES ARE: IN [mm]		MATERIAL:	
.x ± .1 [2.54]	.xxx ± .005 [.127]	SEE TABLE	
.xx ± .01 [.25]	ANGLES ± 5 °	DRAWING NUMBER:	
THIRD ANGLE PROJECTION		00076SBE_DC	
DRAWN BY	DATE	CHK	SCALE
DJSL	2-16-17	MSAD	FULL
SHT 1 OF 1			SIZE
			A

D10100DA/20