

# Fuse-bases for NH gPV Photovoltaic fuse-links

## FUSE BASES

### FUSE BASES FOR PHOTOVOLTAIC NH FUSES



NH gPV fuse-bases are available from 1000Vdc up to 1500Vdc in four different sizes: NH1, NH2, NH1XL & NH2XL3L.

They are available for delivery in single-pole in open design and with touch safe protection for NH gPV fuses with plain blade contacts.

Mersen gPV fuse holders was engineered and designed to accept gPV fuses, they comply with both IEC 60269 and UL4248 standards and they are manufactured according Rohs.

## FEATURES & BENEFITS

- Polyamide insulating bases
- Silver-plated contacts
- High pressure springs
- Screw mounting
- Cover for fuse-base with touch protection

## APPLICATIONS

- All photovoltaic applications up to 1500Vdc
- Inverter DC protection
- Combiner box applications

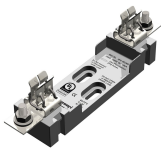
## STANDARDS

- IEC 60269
- UL listed 4248/19
- REACH and RoHS compliant

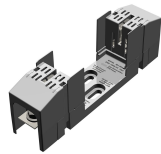
# Fuse-bases for NH gPV Photovoltaic fuse-links

## PRODUCT RANGE

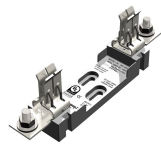
### Fuse-bases for NH gPV fuse-links, single pole, 1500VDC, SCCR 30kA



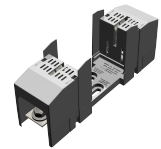
HP15FHHNH1XLA



HP15FHHNH1XLB



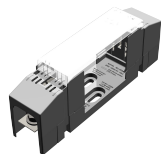
HP15FHHNH3LA



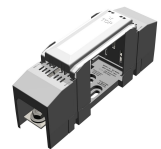
HP15FHHNH3LB

Catalog number	Item number	Size	Rated current $I_n$	Power acceptance	Rated impulse withstand voltage $U_{imp}$	Design	Cable termination	Package	Weight
HP15FHHNH1XLA	J1064586	1XL	250 A	50 W	6 kV	open design, screw mounting, for NH1XL fuse-links with blade contacts	M10 terminal screws M = 32Nm for cable lugs 25-240 mm <sup>2</sup>	4	0.48 kg
HP15FHHNH1XLB	K1064587	1XL	250 A	50 W	6 kV	with touch-safe protection, screw mounting, for NH1XL fuse-links with blade contacts	M10 terminal screws M = 32Nm for cable lugs 25-240 mm <sup>2</sup>	4	0.6 kg
HP15FHHNH3LA	L1064588	2XL-3L	600 A	100 W	6 kV	open design, screw mounting, for NH2XL and NH3L fuse-links with blade contacts	M12 terminal screws M = 32Nm for cable lugs 25-300 mm <sup>2</sup>	4	0.78 kg
HP15FHHNH3LB	M1064589	2XL-3L	600 A	100 W	6 kV	with touch-safe protection, screw mounting, for NH2XL and NH3L fuse-links with blade contacts	M12 terminal screws M = 32Nm for cable lugs 25-300 mm <sup>2</sup>	2	0.98 kg

### Cover for fuse-base with touch protection



COVERFHHNH1XL



COVERFHHNH3L

Catalog number	Item number	Design	Package	Weight
COVERFHHNH1XL	N1064590	pack of 4 gripping lug covers for NH1XL fuse-base with touch protection	1	0.1 kg
COVERFHHNH3L	P1064591	pack of 2 gripping lug covers for NH3L fuse-base with touch protection	1	0.1 kg

# Fuse-bases for NH gPV Photovoltaic fuse-links

## PRODUCT RANGE



HPBB11PPR



HPBB11PPRFS

### NH fuse-bases for NH fuse-links gPV 1000VDC, size 1, 250A, single pole

Catalog number	Item number	Power acceptance	Rated impulse withstand voltage $U_{imp}$	Design	Cable termination	Package	Weight
HPBB11PPR	A1030607	32 W	8 kV	open design, for DIN-rail or screw mounting (M8/M10, M = 14/17 Nm), for NH fuse links size 1	M10 terminal screw M = 27-32Nm	3	0.44 kg
HPBB11PPRFS	K1032916	32 W	8 kV	with touch protection, for DIN-rail or screw mounting (M8/M10, M = 14/17 Nm), for NH fuse links size 1	M10 terminal screw M = 27-32Nm	3	0.71 kg



HPBB21PPR



HPBB21PPRFS

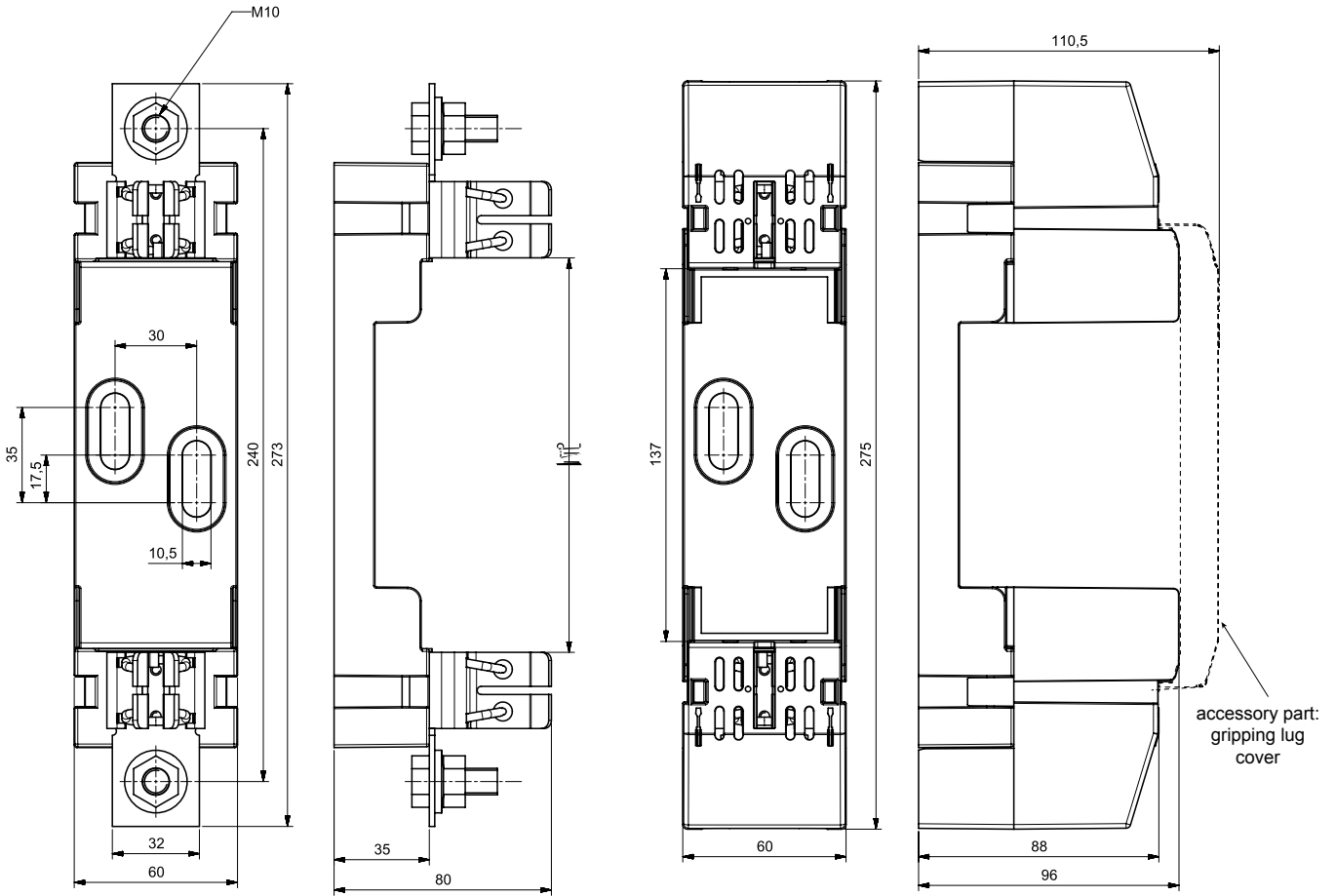
### NH fuse-bases for NH fuse-links gPV 1000VDC, size 2, 315A, single pole

Catalog number	Item number	Power acceptance	Rated impulse withstand voltage $U_{imp}$	Design	Cable termination	Package	Weight
HPBB21PPR	C1037509	45 W	8 kV	open design, for DIN-rail or screw mounting (M8/M10, M = 14/17 Nm), for NH fuse links size 1 and 2	%sM10 terminal screw M = 27-32Nm	3	0.54 kg
HPBB21PPRFS	D1037510	45 W	8 kV	with touch protection, for DIN-rail or screw mounting (M8/M10, M = 14/17 Nm), for NH fuse links size 2	M10 terminal screw M = 27-32Nm	3	0.81 kg

# Fuse-bases for NH gPV Photovoltaic fuse-links

## DIMENSIONS

### NH fuse base for gPV fuse-link 1XL open design and with touch-safe protection

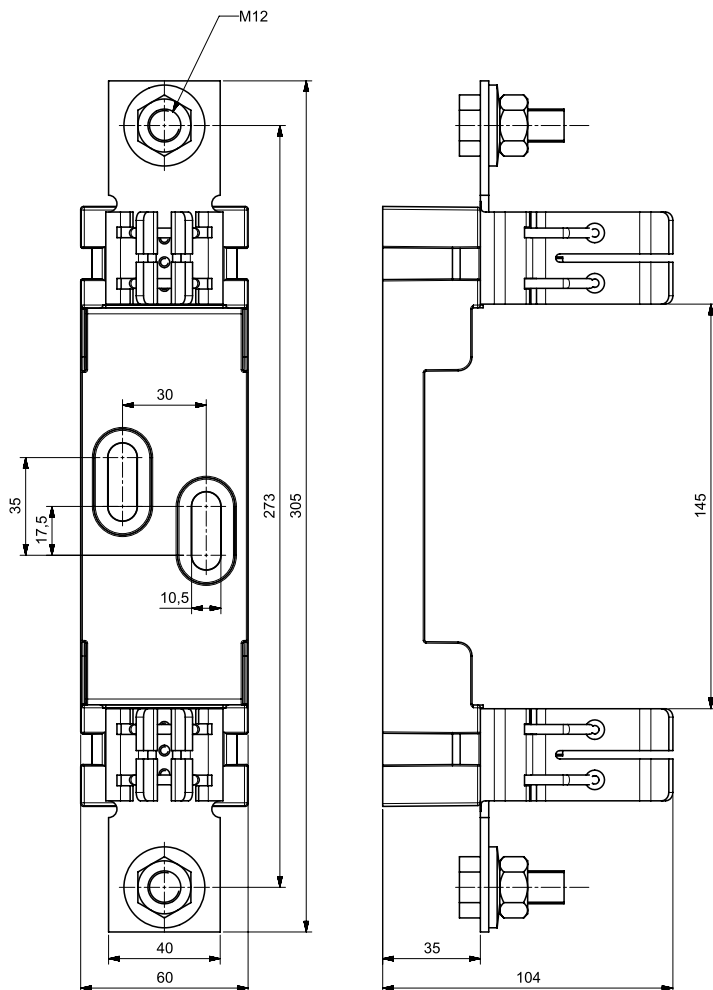


Dimensions in mm

# Fuse-bases for NH gPV Photovoltaic fuse-links

## DIMENSIONS

### NH fuse base for gPV fuse-link 2XL and 3L, open design

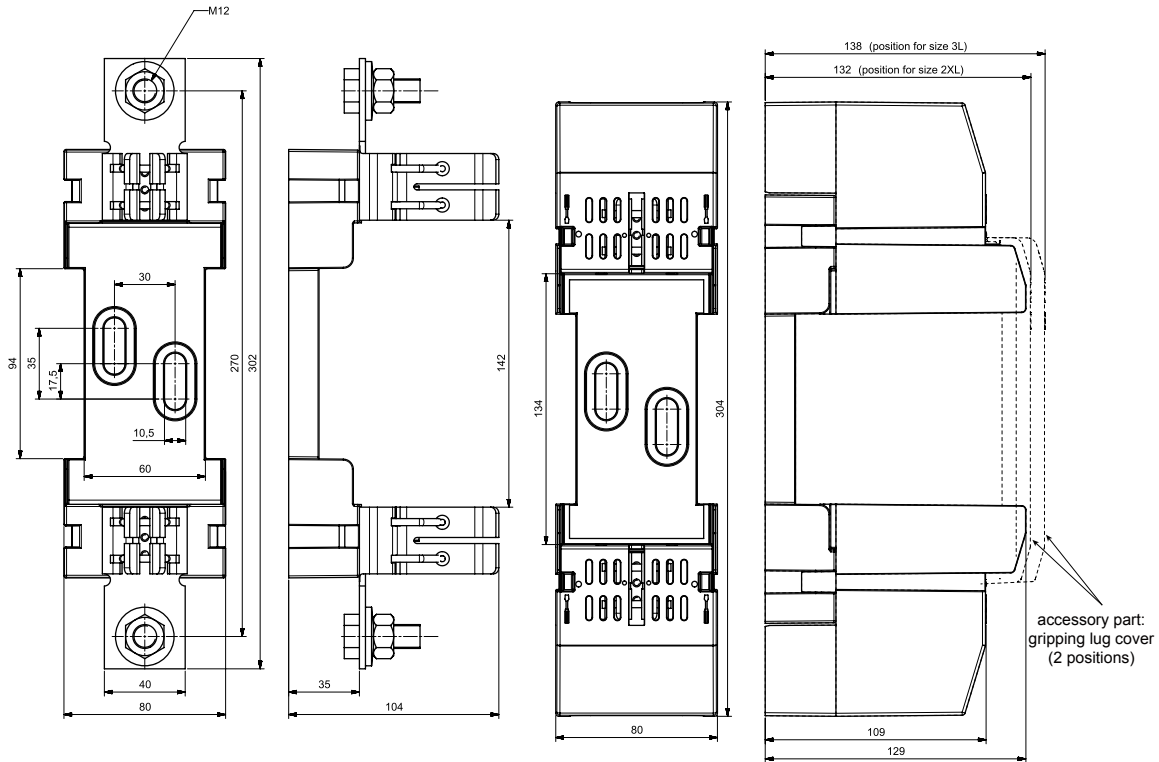


Dimensions in mm

# Fuse-bases for NH gPV Photovoltaic fuse-links

## DIMENSIONS

### NH fuse base for gPV fuse-link 2XL and 3L, with touch-safe protection

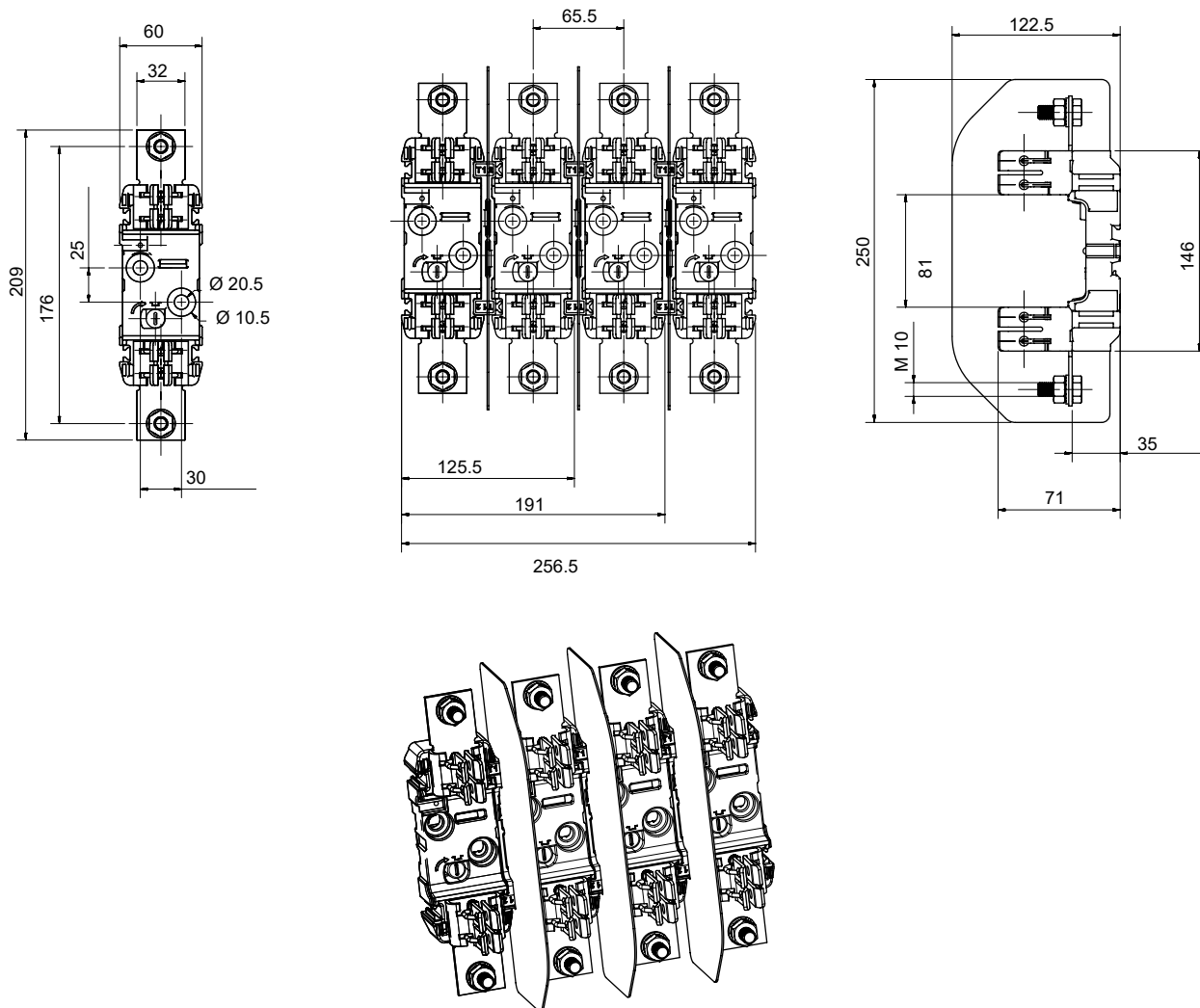


Dimensions in mm

# Fuse-bases for NH gPV Photovoltaic fuse-links

## DIMENSIONS

### NH fuse-base for NH fuse-links gPV, size 1, type PP, open design



For multi-pole applications:

In case of installation of multi-pole units without phase barriers,

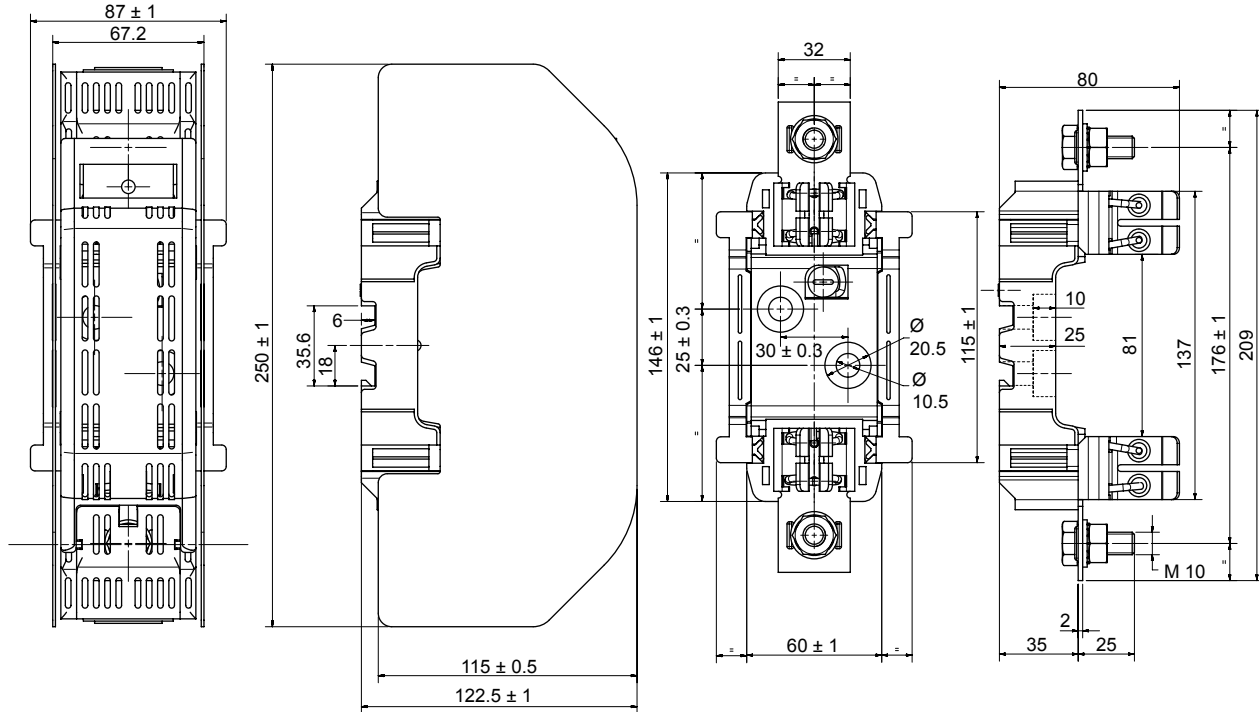
a distance of 8 mm must be considered between the live (current carrying) parts of the fuses (single units).

Dimensions in mm

# Fuse-bases for NH gPV Photovoltaic fuse-links

## DIMENSIONS

### NH fuse-base for NH fuse-links gPV, size 1, type PP, with touch protection



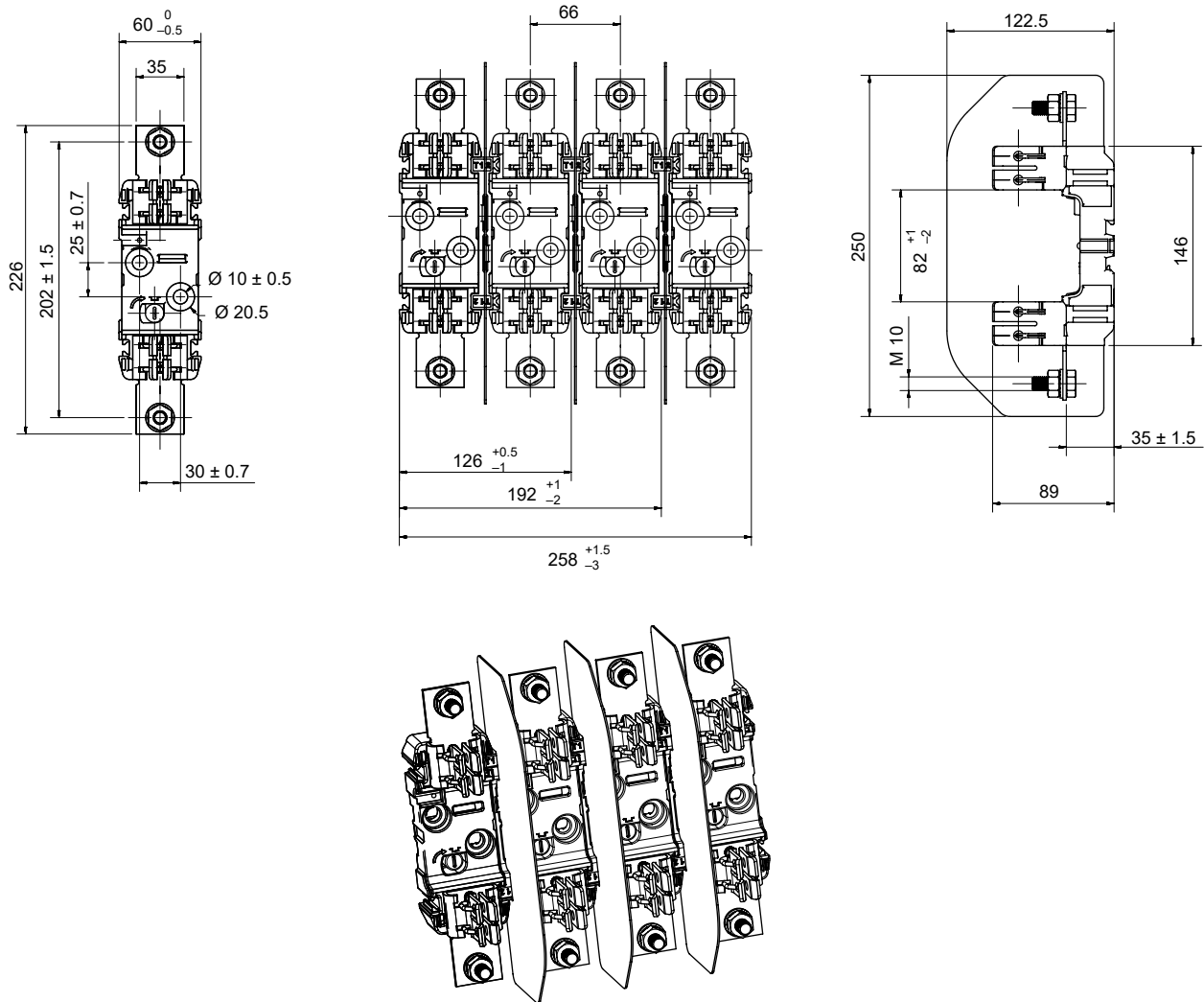
Dimensions in mm



# Fuse-bases for NH gPV Photovoltaic fuse-links

## DIMENSIONS

### NH fuse-base for NH fuse-links gPV, size 2, type PP, open design



For multi-pole applications:

In case of installation of multi-pole units without phase barriers,

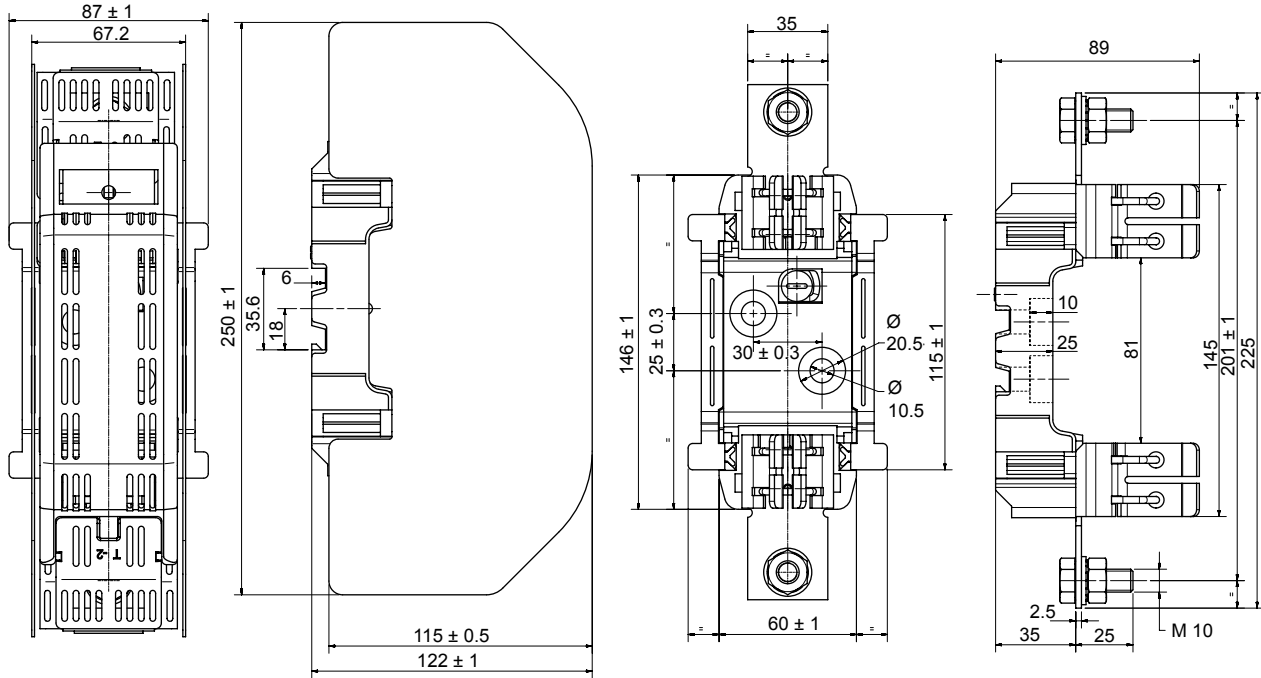
a distance of 8 mm must be considered between the live (current carrying) parts of the fuses (single units).

Dimensions in mm

# Fuse-bases for NH gPV Photovoltaic fuse-links

## DIMENSIONS

### NH fuse-base for NH fuse-links gPV, size 2, type PP, with touch protection



Dimensions in mm