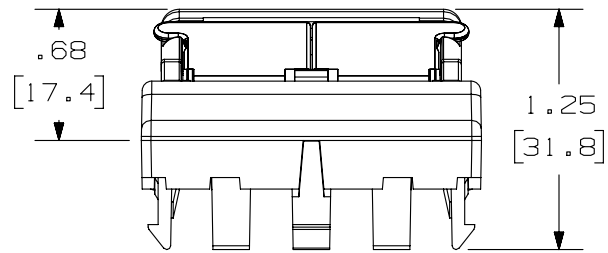
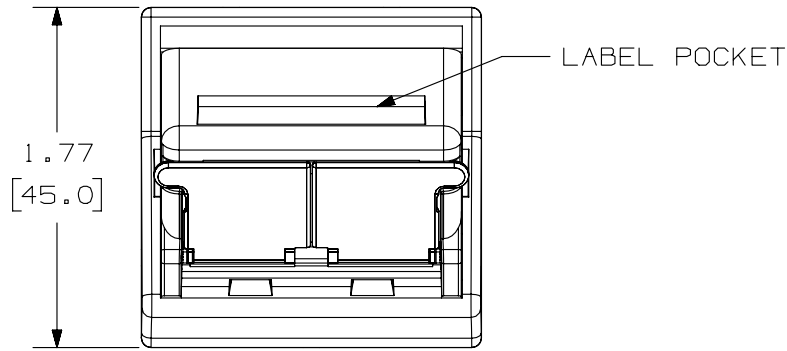


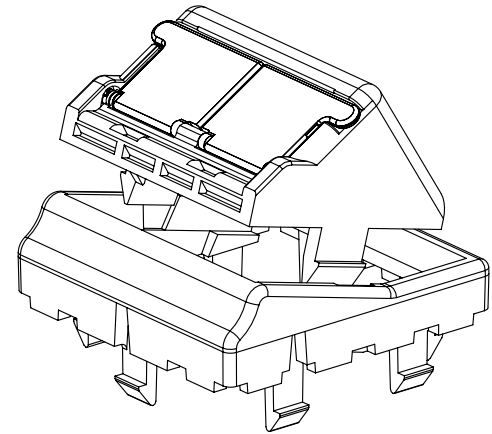
THIS COPY IS PROVIDED ON A RESTRICTED BASIS AND IS NOT TO BE USED IN ANY WAY DETRIMENTAL TO THE INTERESTS OF PANDUIT CORP.

| PANDUIT P/N | WEIGHT                            |
|-------------|-----------------------------------|
| CFP45LS2S** | .30 LB/10 PCS<br>(135.2 g/10 PCS) |



NOTES:

- SEE CURRENT CATALOG FOR ADDITIONAL PART NUMBER SUFFIXES TO INDICATE COLOR AND OR PACKAGE QUANTITY.
- SEE CATALOG FOR COMPLETE LIST OF PARTS APPLICABLE FOR USE WITH THIS PART.
- DIMENSIONS IN [ ] ARE IN METRIC.
- PART INCLUDES:  
1- 45 X 45 ADAPTER  
1- CHLS2S\*\*



|  |         |                  |       |
|--|---------|------------------|-------|
| PART NUMBER  |         | CFP45LS2S**      |       |
| TITLE  |         |                  |       |
| MINI-COM 2 POSITION SLOPED SHUTTERED FRENCH ADAPTER KIT WITH LABEL |         | CUSTOMER DRAWING |       |
| ITEM REVISION NAME   |         | 10M159AB/00      |       |
| DATASET FILE NAME  |         | 10M159AB_DC/00C  |       |
| UNLESS OTHERWISE SPECIFIED, DIMENSIONAL TOLERANCES ARE: IN [mm]    |         | MATERIAL:        |       |
| .x ± .xxx ± .010 [.3]  |         | ABS              |       |
| .xx ± .03 [.8] ANGLES ±  |         | DRAWING NUMBER:  |       |
| THIRD ANGLE PROJECTION   |         | 10M159AB-01      |       |
| DRAWN BY   | DATE    | CHK              | SCALE |
| JSP  | 2-11-10 | MBVE             | NONE  |
| SHT 1 OF 1   |         |                  | SIZE  |
|  |         |                  | A     |

| REV | DATE    | BY  | CHK  | APR  | DESCRIPTION                     | ECN         |
|-----|---------|-----|------|------|---------------------------------|-------------|
| 1   | 3/28/14 | JSP | REFR | MMR  | A. REVISED DRAWING TITLE BLOCK. | 10M159AB-01 |
| R   | 2-11-10 | JSP | MBVE | MBVE | RELEASED TO PRODUCTION          | 10M159AB-01 |

D10100DA/14