



## Fiche produit

Article n° 92.297.4003.7

### assemblage de câbles GST18i3KSB- 15E 40GN07

GST18i3 câble de rallonge femelle - extrémité libre, longueur 4.0 m, 3 pôle, codification selon les exigences du client avec PE, 16 A, couleur de codage vert, couleur du soulagement de traction noir, couleur du câble noir, échantillon représentatif 1.5 mm<sup>2</sup>, type de câble H05VV-F, classe Feu: Eca



Article n°	92.297.4003.7
EAN	4049088277603
Unité de commande	20 Piece(s)

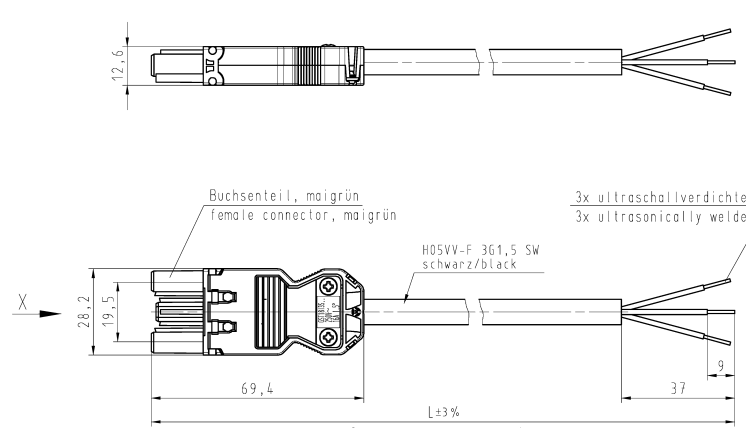
certificats/approbations

**Dessin technique**

These dimensions will be reported in the event of delivery

These dimensions will be reported in the event of delivery

These dimensions will be reported in the event of delivery



Buchse, weiblich  
female connector, female

H05VV-F 3G1.5 SW  
schwarz/schwarz

3x ultraschallverdichtet  
3x ultrasonically welded

Gesamtlänge/Total length


2/N = blau/blue

⊕ = grün-gelb  
green-yellow

1 = braun/brown

Teile-Nr. part-no.	L	Beispiel (Farbe: maigrün) example (colour: may green)	Typ type
92.297.XX03.7	XX in dm-Schritten	92.297.1003.7 = 10dm/L= 1000mm	GST1813KSB- 15 10GN07
U2.297.XX03.7	XX in m-Schritten	U2.297.1203.7 = 12 m/L=12000mm	GST1813KSB- 15 X12GN07
Weitere Daten siehe KATALOG oder eCatalog.		www.wieland-electric.com eshop.wieland-electric.com	
<p>Toleranzsystem Size ISO 14406/Tolerance system Size ISO 14406          (This ISO-standard describes the envelope principle. According to the envelope principle the deviations of form and parallelism are limited by the size tolerances.)</p> <p>Frähtoleranz nach DIN 1875/Drilling tolerance according to DIN 1875</p> <p>Werkstoff/Material: 2014-T3</p> <p>Zeichnung Nr./Drawing No.: 92.297.0203.7 01K</p> <p>Maße in mm/Dimensions are in mm</p>			

922970203701K\_2 CADW3027 Duetsch 2014-08-12T09:25:45 21.000



GST1813

PRE-ASSEMBLED CABLE  
KONFEKT LEITUNG

Buchse-fr., Ende Schraubausführung/screw connection  
250V AC 16A 1,5mm