



## Product Compliance

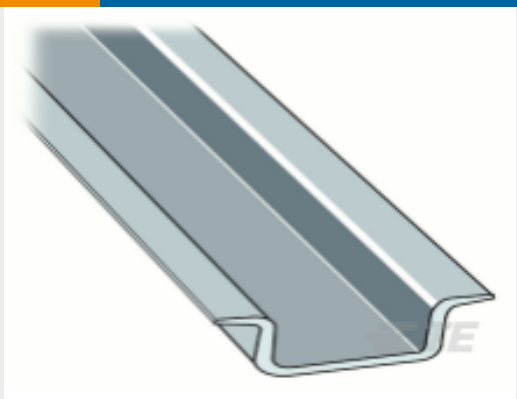
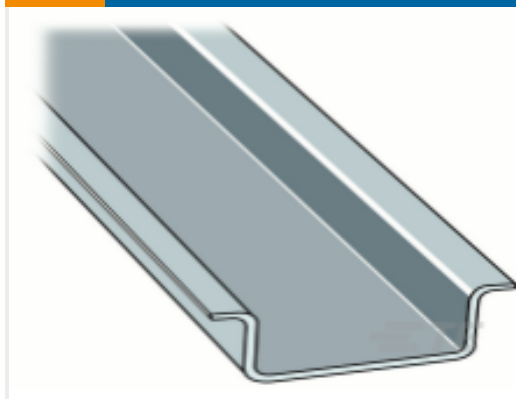
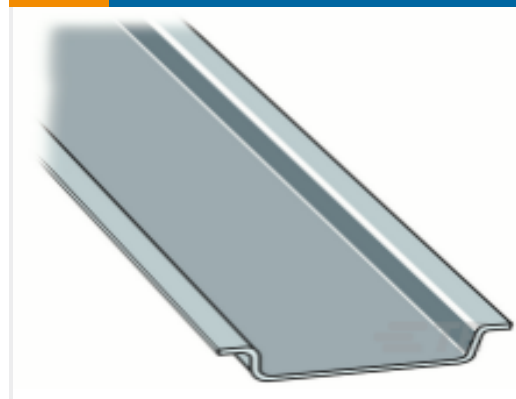
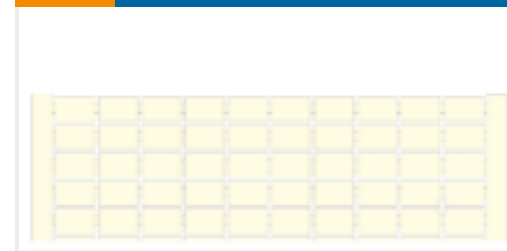

[For compliance documentation, visit the product page on TE.com>](#)





EU RoHS Directive 2011/65/EU	Compliant
EU ELV Directive 2000/53/EC	Not Yet Reviewed
China RoHS 2 Directive MIIT Order No 32, 2016	No Restricted Materials Above Threshold
EU REACH Regulation (EC) No. 1907/2006	Current ECHA Candidate List: JUNE 2022 (224) Candidate List Declared Against: JUL 2021 (219) Does not contain REACH SVHC
Halogen Content	Not Yet Reviewed for halogen content
Solder Process Capability	Not reviewed for solder process capability

### Product Compliance Disclaimer

This information is provided based on reasonable inquiry of our suppliers and represents our current actual knowledge based on the information they provided. This information is subject to change. The part numbers that TE has identified as EU RoHS compliant have a maximum concentration of 0.1% by weight in homogenous materials for lead, hexavalent chromium, mercury, PBB, PBDE, DBP, BBP, DEHP, DIBP, and 0.01% for cadmium, or qualify for an exemption to these limits as defined in the Annexes of Directive 2011/65/EU (RoHS2). Finished electrical and electronic equipment products will be CE marked as required by Directive 2011/65/EU. Components may not be CE marked. Additionally, the part numbers that TE has identified as EU ELV compliant have a maximum concentration of 0.1% by weight in homogenous materials for lead, hexavalent chromium, and mercury, and 0.01% for cadmium, or qualify for an exemption to these limits as defined in the Annexes of Directive 2000/53/EC (ELV). Regarding the REACH Regulation, the information TE provides on SVHC in articles for this part number is based on the latest European Chemicals Agency (ECHA) 'Guidance on requirements for substances in articles' posted at this URL: <https://echa.europa.eu/guidance-documents/guidance-on-reach>

## Compatible Parts

 <p>TE Part # 1SNA168500R1200 PR4</p>	 <p>TE Part # 1SNA168700R2200 PR5</p>	 <p>TE Part # 1SNA174300R1700 PR3.Z2</p>	  <p>TE Part # 1SNA230000R1200 RC55</p>
--	---	---	---

<p>TE Part # 1SNA291102R2300 BJDL5-2</p>	<p>TE Part # 1SNA291103R2400 BJDL5-3</p>	<p>TE Part # 1SNA291104R2500 BJDL5-4</p>	<p>TE Part # 1SNA291105R2600 BJDL5-5</p>
<p>TE Part # 1SNA291110R2600 BJDL5-10</p>	<p>TE Part # 1SNA399903R0200 BADL</p>	<p>TE Part # 1SNA290358R2500 FED5.C3.L</p>	<p>TE Part # 1SNA290365R1400 PC5.34</p>
<p>TE Part # 1SNA290366R1500 PC5.34</p>	<p>TE Part # 1SNA290367R1600 PC5.34</p>	 <p>TE Part # 1SNA291106R2700 BJDL5-6</p>	 <p>TE Part # 1SNA291107R2000 BJDL5-7</p>
 <p>TE Part # 1SNA291108R0100 BJDL5-8</p>	 <p>TE Part # 1SNA291109R0200 BJDL5-9</p>		

## Documents

### Datasheets & Catalog Pages

[ENTRELEC Terminal Block - Master Catalog](#)

English

[Entrelec-sensor-actuator](#)

English

[ENTRELEC Terminal Blocks Catalogue \(RUS\)](#)