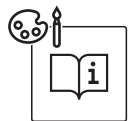
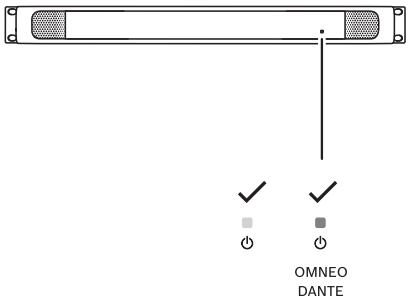
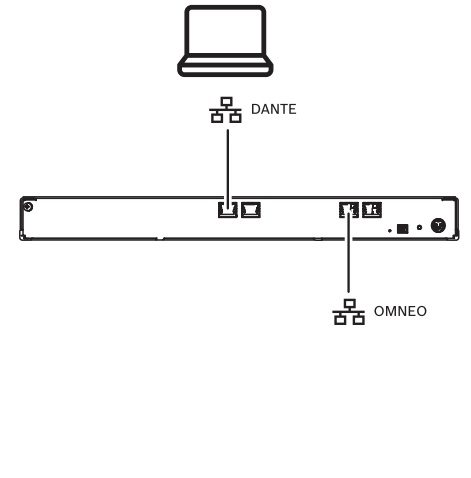
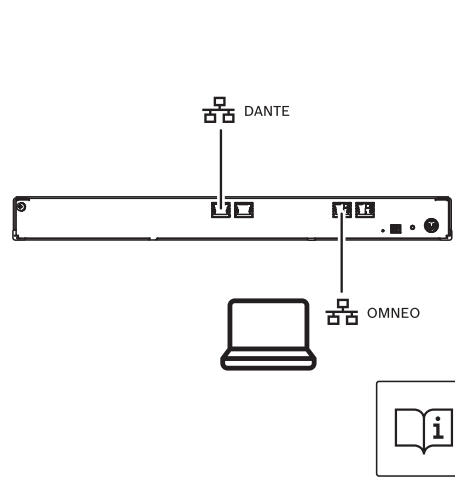
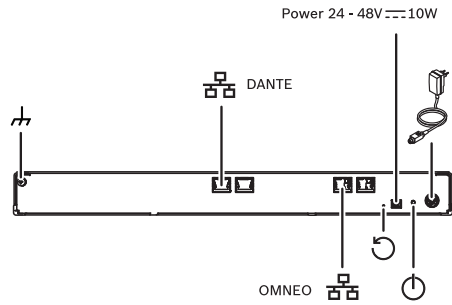


CAT-5e cable



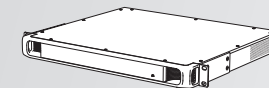
Information about the Open Source Software used in this product is available from <http://<IpAddressOfDevice>>



For product related information, free software download and documentation, visit: www.boschsecurity.com
For the latest software versions, go to: <https://licensing.boschsecurity.com/software>
For China ROHS, see: <http://cn.boschsecurity.com/rohs>

Intentionally left blank

Dante gateway
OMN-DANTEGTW



en Quick Installation Guide

Bosch Security Systems B.V.
Torenallee 49
5617 BA Eindhoven
The Netherlands
www.boschsecurity.com
© Bosch Security Systems B.V., 2020