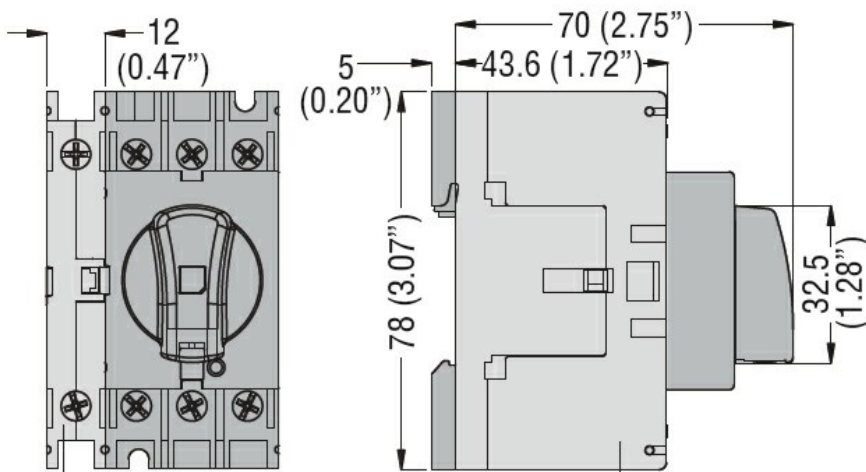




Number of poles	Nr.	1
Operating voltage type		AC
Contact characteristics		
IEC Conventional free air thermal current I _{th}	A	15
Mechanical features		
Tightening torque for terminals	min	Nm 1.8
	max	Nm 2
	min	Ibin 16
	max	Ibin 18

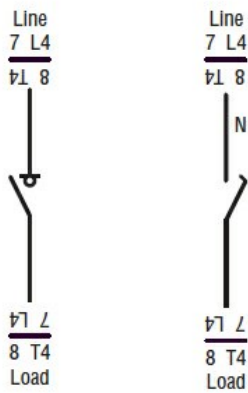
Dimensions



GAX41 040A, GAX42 040A...
GAX41 063SA, GAX42 063SA,
GAX42 040D, GAX31 A, GAX33 A

Wiring diagrams

Fourth pole add on
GAX42... **GAX41...**



Certifications and compliance

Compliance

- CSA C22.2
- IEC/EN 60947-1
- IEC/EN 60947-3
- UL508
- UL98

Certifications

- cULus UL508 / CSA C22.2 n° 14
- EAC