

Part number
CQF 05



Female insert, CQ series, crimp connection, 5 poles + PE, 16 A 230/400 V 4 kV 3, size "21.21"

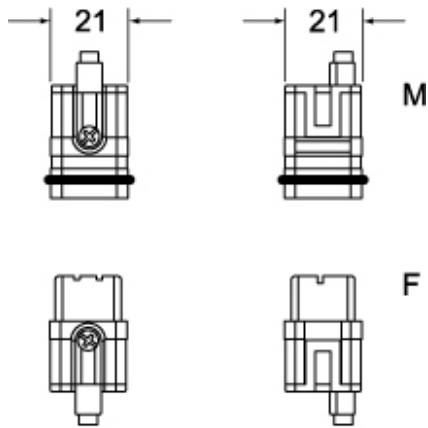
Product description		Material properties	
Product type	Insert	Main material	Polycarbonate (PC)
Series	CQ	Colour	RAL 7032 grey
Connection type	Crimp connection		Compliant with exemption 6(c): copper alloy containing up to 4% lead by weight
Gender	Female	RoHs conformity	
N. of poles	5 poles +	China RoHs - EFUP	50
Size	Size "21.21"	REACH SVHC substances	Yes Lead
Technical data		SCIP number	1a9c93ff-0445-4a16-81e3-1609ac5274d6
Current	16 A	Approvals / Standards	
Voltage	230 - 400 V	Reference standard	EN 61984:2009-06
Rated impulse withstand voltage	4 kV	Certifications	CSA, CQC, DNV, BV, EAC
Pollution degree	3	UL	ECBT2, PVVA2
Rated voltage according to UL/CSA	600 V	cUL	ECBT8, PVVA8
IP degree of protection	IP20 without enclosure, IP44/IP66/IP67/IP68/IP69 with enclosure	General ordering information	
Further technical details		EAN13 code	8015747037297
Characteristics according to EN 61984	16 A 230/400 V 4k V 3; 16 A 320/500 V 4kV 2	eCl@ss 8.1	27440205
Mating cycles	≥ 500	ETIM 7.0	EC000438
Insulation resistance	≥ 10 GΩ	Packaging Information	
Contact resistance	≤ 1 mΩ	Packaging length	220,00 mm
Weight	14,00 g	Packaging height	130,00 mm
Operating temperature range (min, max)	-40 °C ... +125 °C	Packaging width	240,00 mm
UL 94 flammability rating	V-0	Packaging weight	3,16 kg
Tightening torque for PE connection	M3: 0,5 Nm; 4,4 lb.in (0,5 x 3 mm)	Packaging volume	6,86 dm ³
Tightening torque for fixing screws	M3: 0,5 Nm; 4,4 lb.in (Ph1 or 0,8 x 5,5 mm)	Packaging description	Carton box
		Packaging quantity	200 Pcs
		Packaging EAN code	8015747208918
		Sub-packaging length	197,00 mm
		Sub-packaging height	35,00 mm
		Sub-packaging width	113,00 mm
		Sub-packaging weight	0,63 kg
		Sub-packaging volume	0,78 dm ³
		Sub-packaging description	Carton tray
		Sub-packaging quantity	40 Pcs
		Sub-packaging EAN barcode	8015747037303

Part number
CQF 05

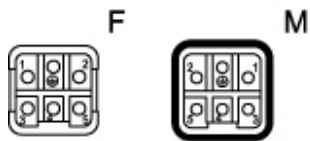


Catalogue drawings

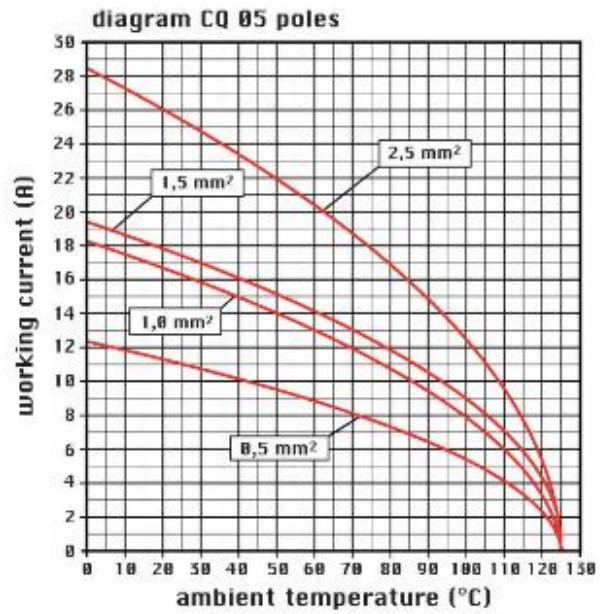
CQM 05



CQF 05



Catalogue drawings



Notes

Dimensions shown in mm are not binding and may be changed without notice.