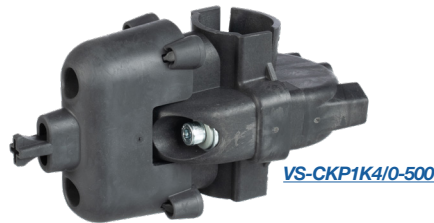
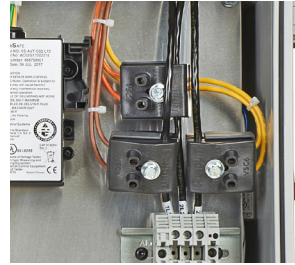


VeriSafe™ Insulation Piercing Connector

applications

The VeriSafe™ Insulation Piercing Connector provides a fast, secure, and reliable way to terminate AVT sensor leads. The compact connector design accommodates up to two taps in a single housing that fully insulates both connections. The patent pending connector allows taps to be made without compromising the integrity of conductors and includes integrated strain relief. Installation is fast and easy without the need to remove insulation. Ideal for new and retrofit applications, connections can be made without modifying existing conductor runs.



specifications

Insulation piercing connector for copper wire with two mechanically isolated taps. Optimized for use with VeriSafe™ AVT sensor leads when prepared with Panduit ferrules, P/N F80-12.

technical information

Cable run:	AWG 14 - 3/0: Copper conductors, Solid or stranded Class B & C, except 3/0 STR only.
	AWG 4/0 - 500 MCM: Copper conductors, Stranded Class B & C.
	Not rated for flexible strand classes.
Taps:	(2) 14 – 16 AWG stranded Class K For VeriSafe AVT sensor leads prepared with F80-12 ferrules
Connector materials:	Housing – polyamide Insulator – elastomeric polymer
Operating temperature:	Up to 90°C (194°F)
Voltage range:	14 - 3/0 AWG: 600V maximum AWG 4/0 - 500 MCM: 1000V maximum

key features and benefits

Compact and space saving:	Terminate two taps with a single connector Fewer parts, less space needed for each installation Optimized for use with VeriSafe™ Absence of Voltage Tester sensor leads
Fast installation:	Insulation piercing design allows for installation without the need to strip insulation from conductors Easily retrofit existing cable runs without modifying conductors
Fully insulated design:	Safe and reliable connections
Secure connections:	Taps are made without compromising the integrity of conductors Housing includes integrated strain relief
Flexible design:	Family of connectors covers a wide range of cable runs Suitable for new or retrofit applications

Insulation Piercing Connectors

VS-CKP14-6 VeriSafe™ Insulation Piercing Connection Kit for Tapping 14 to 6 AWG conductors. Kit includes 3 connectors for installation of 1 AVT.

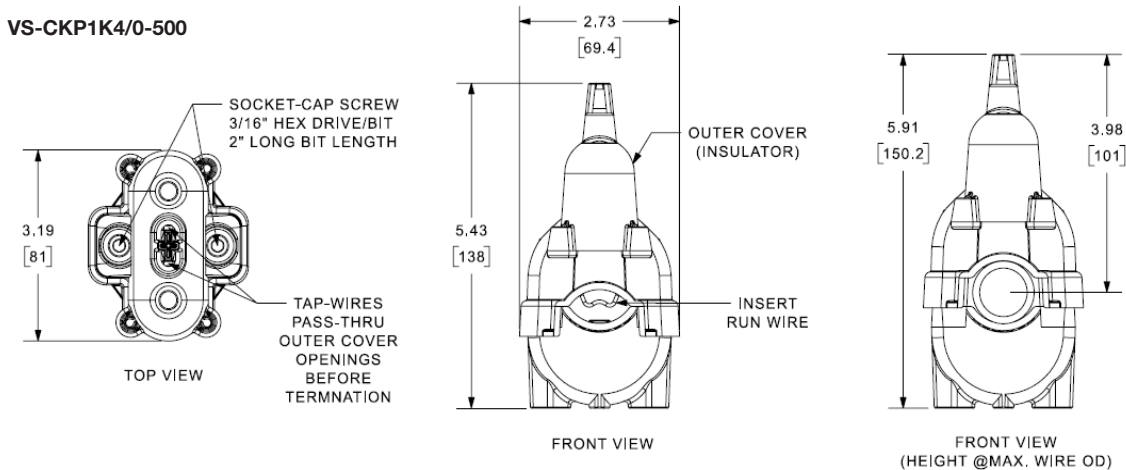
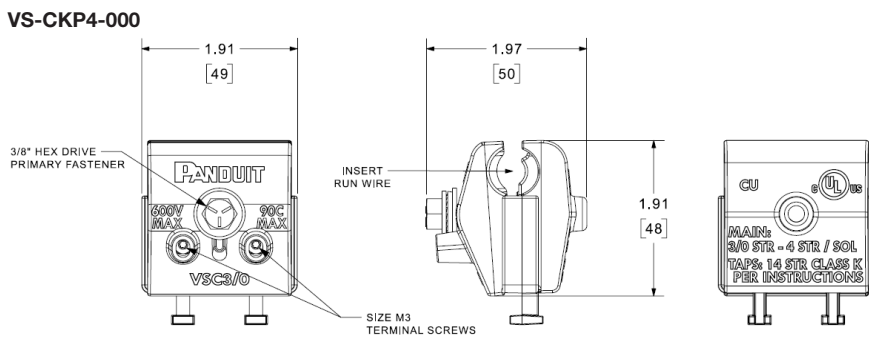
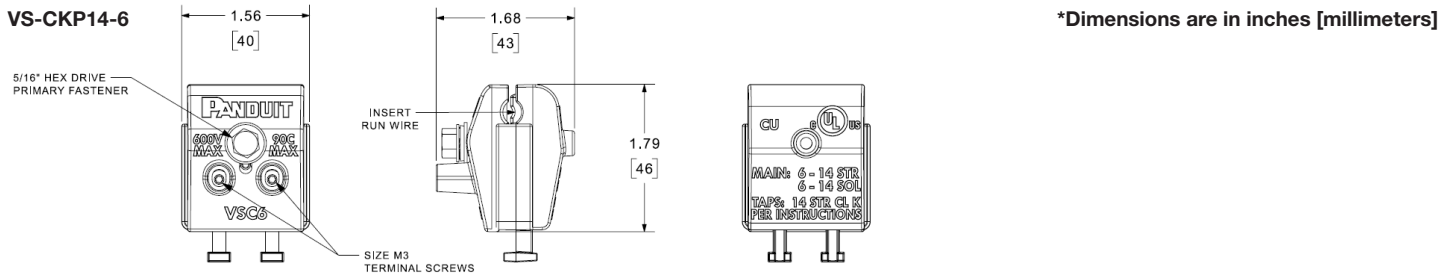
VS-CKP4-000 VeriSafe™ Insulation Piercing Connection Kit for Tapping 4 to 3/0 AWG conductors. Kit includes 3 connectors for installation of 1 AVT.

VS-CKP1K4/0-500 VeriSafe™ Insulation Piercing Connection Kit for Tapping AWG 4/0 to 500MCM conductors. Rated for 1KV installations. Kit includes 3 connectors for installation of 1 AVT.

VeriSafe™ Insulation Piercing Connector

part information

Part Number	Product Description
VS-CKP14-6	VeriSafe™ Insulation Piercing Connection Kit for Tapping 14 to 6 AWG conductors. Kit includes 3 connectors for installation of 1 AVT.
VS-CKP4-000	VeriSafe™ Insulation Piercing Connection Kit for Tapping 4 to 3/0 AWG conductors. Kit includes 3 connectors for installation of 1 AVT.
VS-CKP1K4/0-500	VeriSafe™ Insulation Piercing Connection Kit for Tapping AWG 4/0 to 500MCM conductors. Rated for 1KV installations. Kit includes 3 connectors for installation of 1 AVT.



Part Number	Voltage Rating	Temperature Rating	Taps Rating	Cable Run Rating
VS-CKP14-6	600V	90° C	AWG 18 Class K (with F76-12 ferrule)	AWG 14 (SOL/STR) – 6 (SOL/STR) Copper conductor. Not rated for flexible strand classes.
VS-CKP4-000			AWG 16 Class K (with F78-12 ferrule)	
VS-CKP1K4/0-500	1000V		AWG 14 Class K (with F80-12 ferrule)	AWG 4 (SOL/STR) – 3/0 (STR) Copper conductor. Not rated for flexible strand classes.
			14 AWG Class K (with F80-12 ferrule)	AWG 4/0 (STR) – 500MCM (STR) Copper conductor. Not rated for flexible strand classes.

WORLDWIDE SUBSIDIARIES AND SALES OFFICES

PANDUIT US/CANADA
Phone: 800.777.3300

PANDUIT EUROPE LTD.
London, UK
Phone: 44.20.8601.7200

PANDUIT SINGAPORE PTE. LTD.
Republic of Singapore
Phone: 65.6305.7575

PANDUIT JAPAN
Tokyo, Japan
Phone: 81.3.6863.6000

PANDUIT LATIN AMERICA
Guadalajara, Mexico
Phone: 52.33.3777.6000

PANDUIT AUSTRALIA PTY. LTD.
Victoria, Australia
Phone: 61.3.9794.9020

For a copy of Panduit product warranties, log on to www.panduit.com/warranty

Visit us at www.panduit.com/verisafe

cs@panduit.com

PANDUIT®

©2021 Panduit Corp.
ALL RIGHTS RESERVED.
SFSP13-WW-ENG replaces
SFSP03--SA-ENG
1/2021