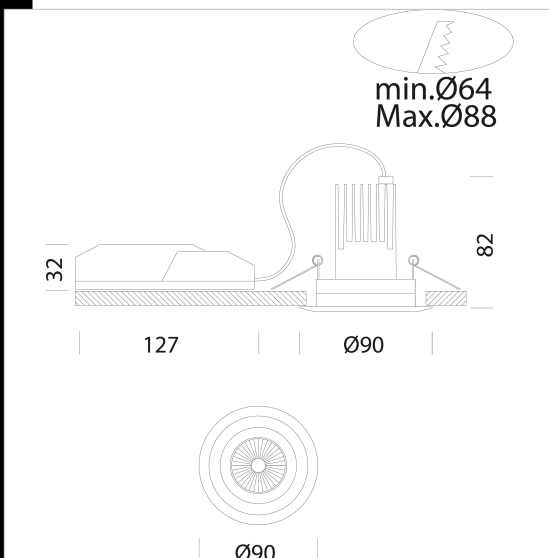


## Low glare 2 - DIMM

Corpo: in alluminio orientabile con dei ressorti.  
 Ottica specifica anti-abbagliamento per un confort migliorato.  
 Pitture: polverizzazione con pittura poliestere resistente ai raggi UV.  
 Norme: apparecchi conformi alle norme EN 60598-1 CEI 34-21 Indice di protezione conforme alle norme EN 60529.  
 Può essere installato in un foro al minimo  $\varnothing 64$  fino a  $\varnothing 88$ .  
 Sur demande: 25° sous-code -0031. Sur demande: 60° sous-code -0032.  
 Groupe de risque photobiologique : Groupe 0 (exempt de risque).  
 Facteur de puissance: 0,9  
 Maintien du flux lumineux à 80%: 50000h (L80B20).  
 Une puissance plus faible se traduit par une réduction des frais, plus de 80% d'économie d'énergie

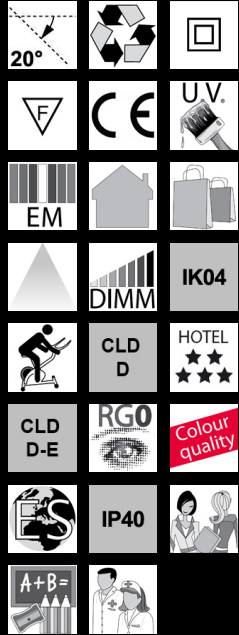


Code	Gear	Kg	Lumen Output-K-CRI	WTot	Colour
22061472-00	CLD CELL-D	0,30	LED COB-900lm-2750K-38°-CRI 92	10 W	ALUMINIUM
22061412-00	CLD CELL-D	0,30	LED COB-900lm-2750K-38°-CRI 92	10 W	BLANC
22061477-00	CLD CELL-D	0,30	LED COB-990lm-3000K-25°-CRI 92	10 W	ALUMINIUM
22061417-00	CLD CELL-D	0,30	LED COB-990lm-3000K-25°-CRI 92	10 W	BLANC
22066777-00	CLD CELL-D	0,35	LED COB-990lm-3000K-38°-CRI 92	10 W	ALUMINIUM
22066717-00	CLD CELL-D	0,30	LED COB-990lm-3000K-38°-CRI 92	10 W	BLANC
22061479-00	CLD CELL-D	0,30	LED COB-1100lm-4000K-38°-CRI 92	10 W	ALUMINIUM
22061419-00	CLD CELL-D	0,29	LED COB-1100lm-4000K-38°-CRI 92	10 W	BLANC
22061472-09	CLD CELL-D-E	0,75	LED COB-900lm-2750K-38°-CRI 92	10 W	ALUMINIUM
22061412-09	CLD CELL-D-E	0,75	LED COB-900lm-2750K-38°-CRI 92	10 W	BLANC
22061477-09	CLD CELL-D-E	0,75	LED COB-990lm-3000K-25°-CRI 92	10 W	ALUMINIUM
22061417-09	CLD CELL-D-E	0,75	LED COB-990lm-3000K-25°-CRI 92	10 W	BLANC
22066777-09	CLD CELL-D-E	0,73	LED COB-990lm-3000K-38°-CRI 92	10 W	ALUMINIUM
22066717-09	CLD CELL-D-E	0,70	LED COB-990lm-3000K-38°-CRI 92	10 W	BLANC
22061479-09	CLD CELL-D-E	0,75	LED COB-1100lm-4000K-38°-CRI 92	10 W	ALUMINIUM
22061419-09	CLD CELL-D-E	0,30	LED COB-1100lm-4000K-38°-CRI 92	10 W	BLANC

### Accessori



- grille de protection



### Download

DXF 2D  
- low2.dxf

Montaggi  
- LOWGLARE FENIX -ISPOT1-2-3  
rev0.pdf

The reported luminous flux is the flux emitted by the light source with a tolerance of  $\pm 10\%$  compared to the indicated value. The W tot column indicates the total wattage absorbed by the system without exceeding 10% of the indicated