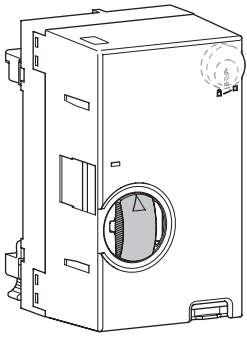
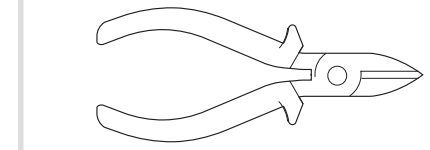


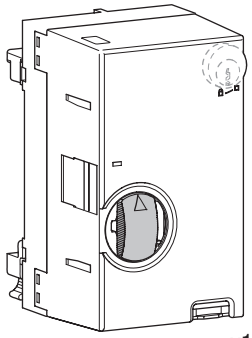
6LE001955Aa



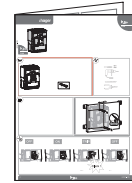
P250



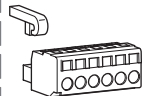
3P-4P



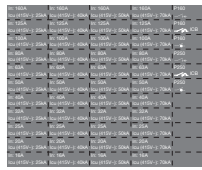
x1



x1



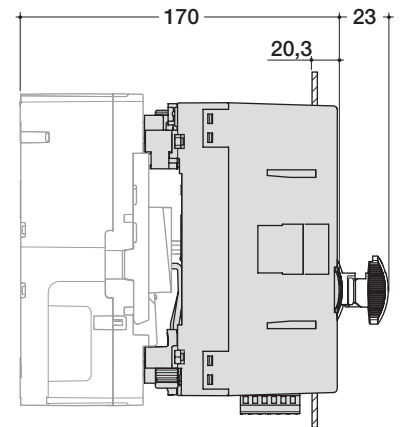
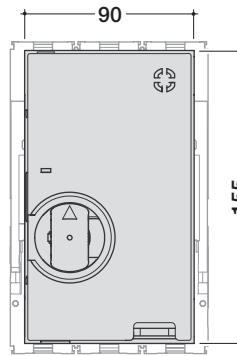
x1



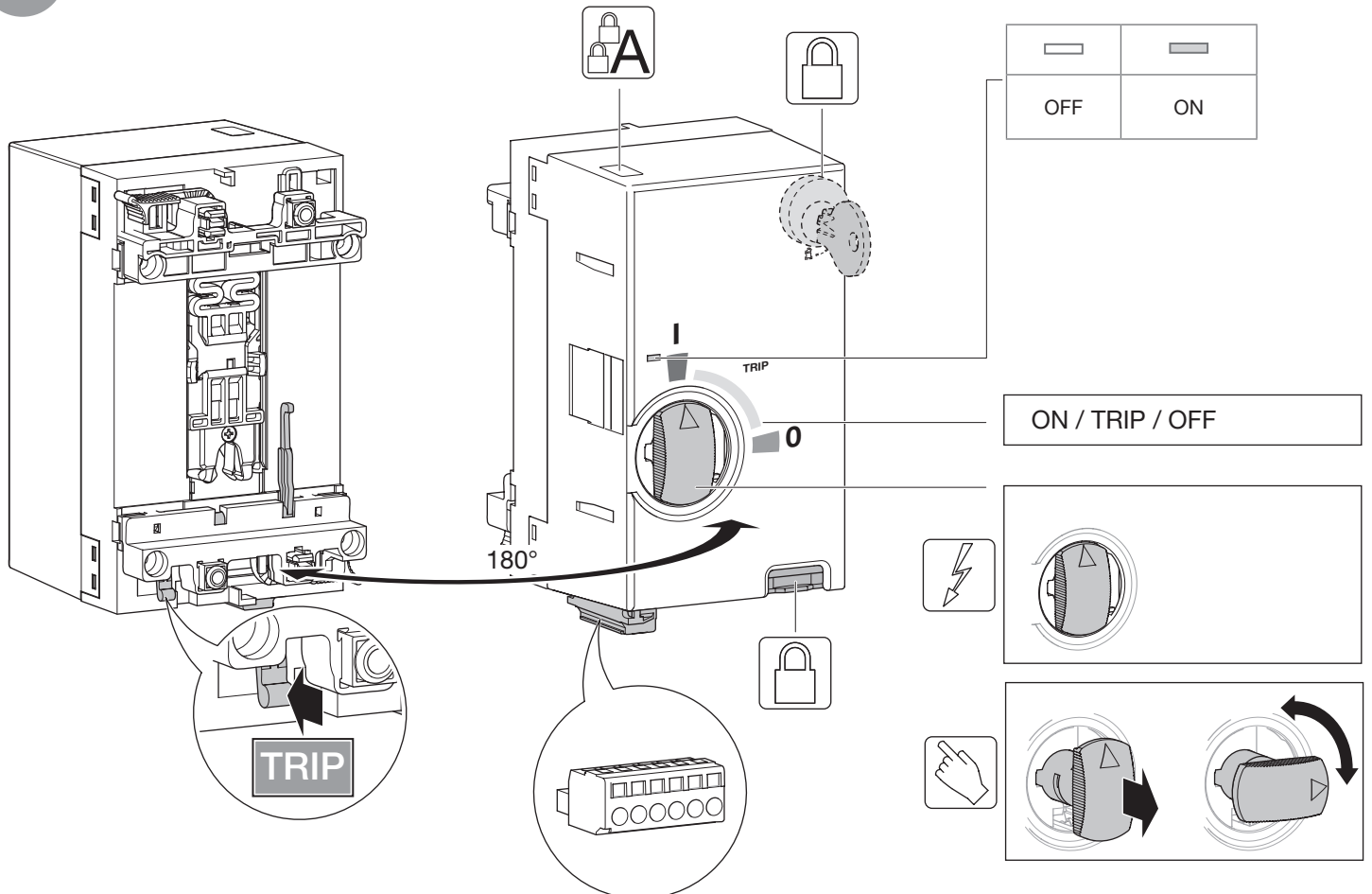
x1

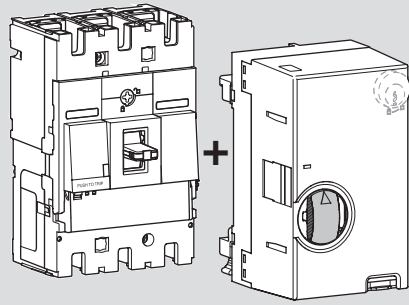


x1

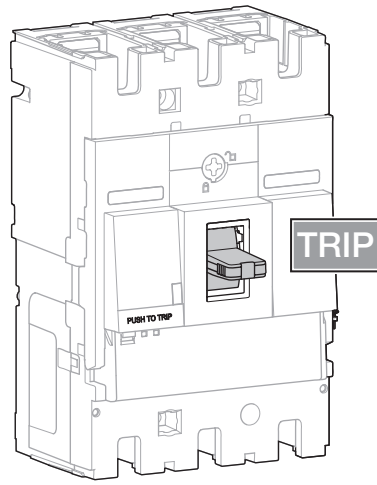


i

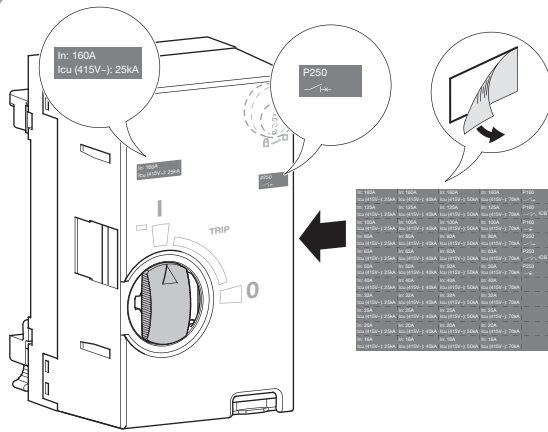




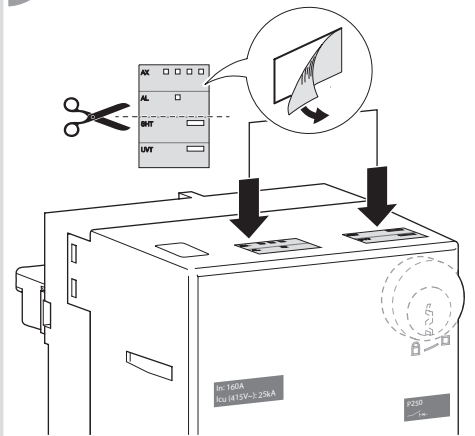
1



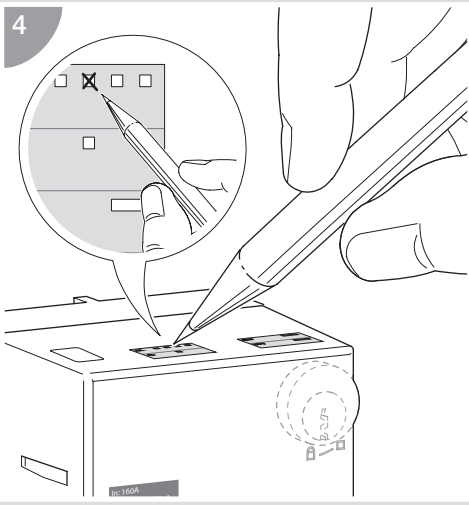
2



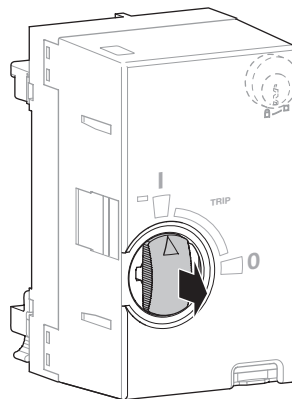
3



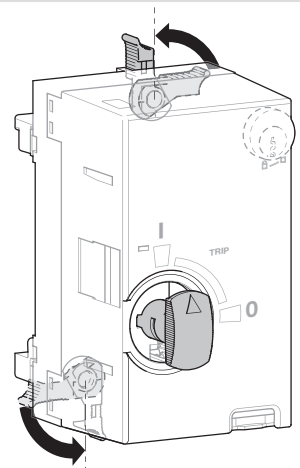
4



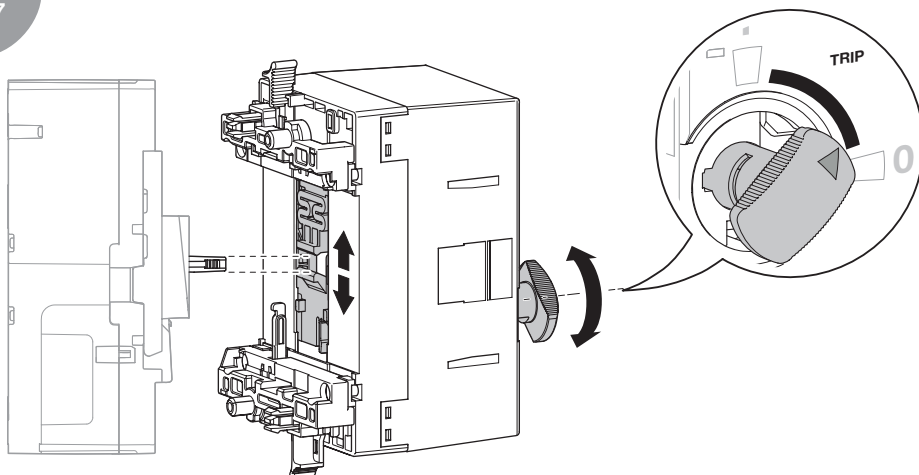
5



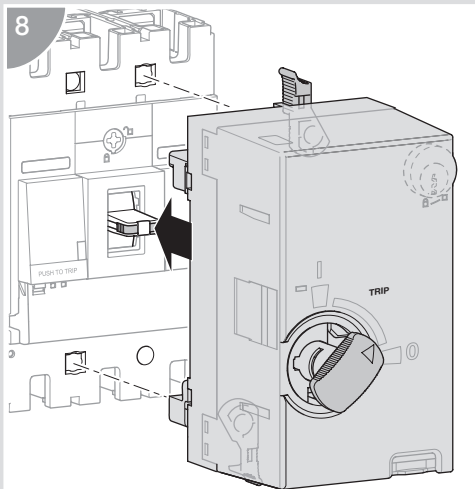
6

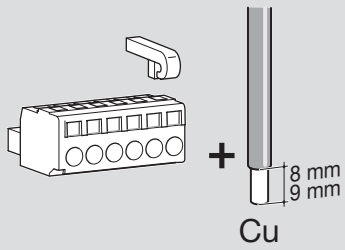
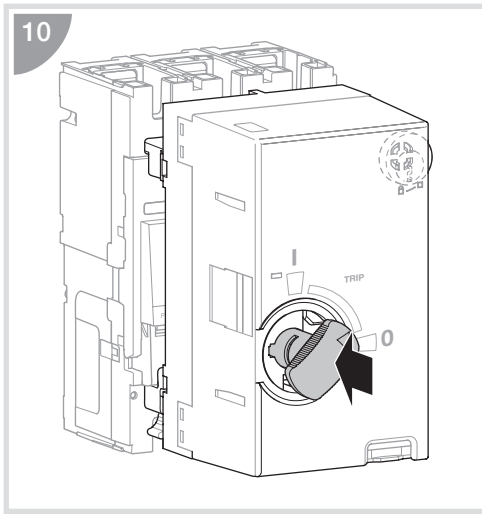
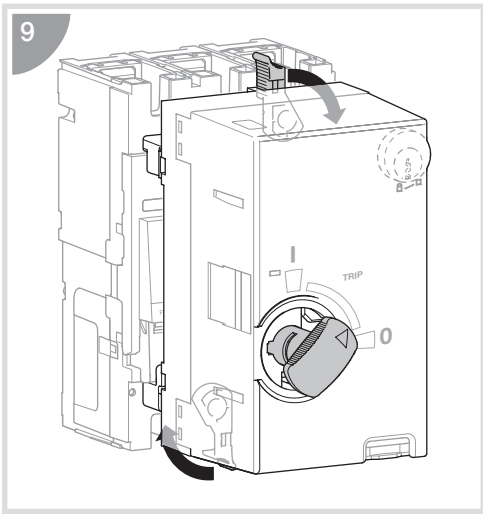


7

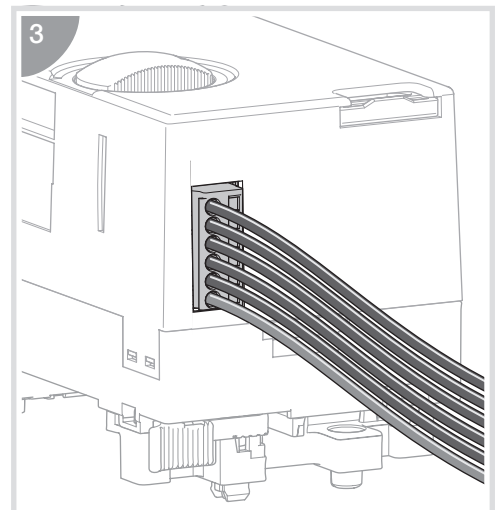
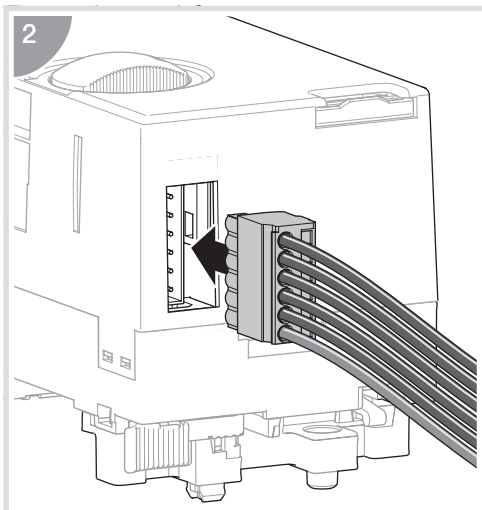
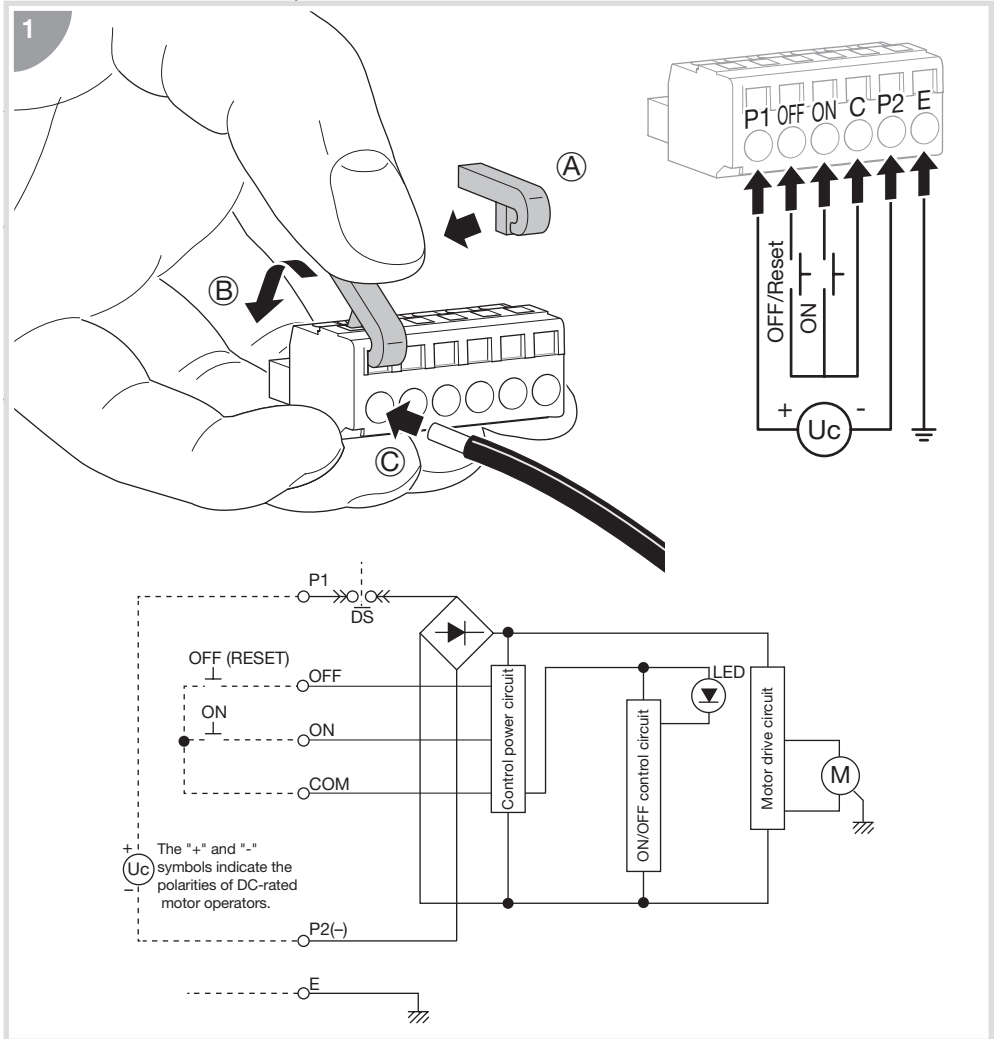


8



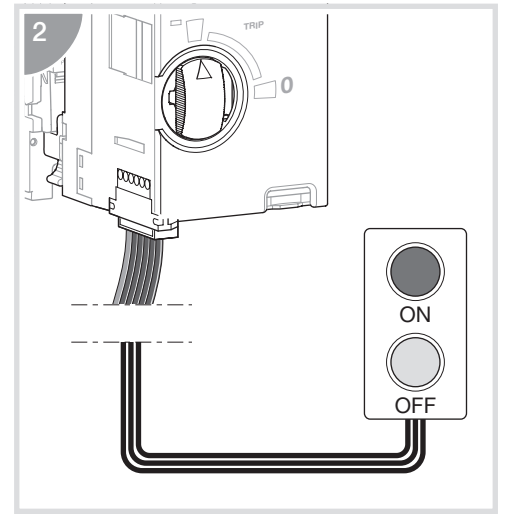
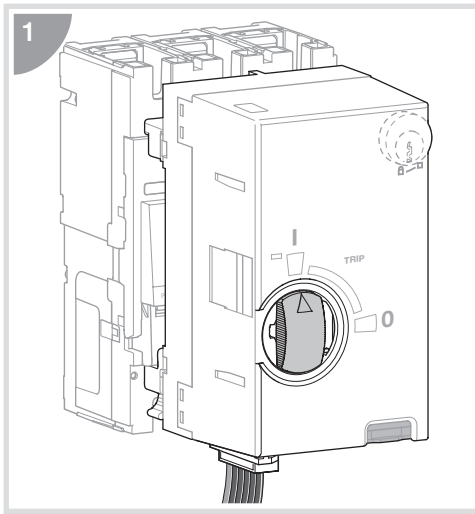


	min.	max.
	(mm ²)	
	0,8	2



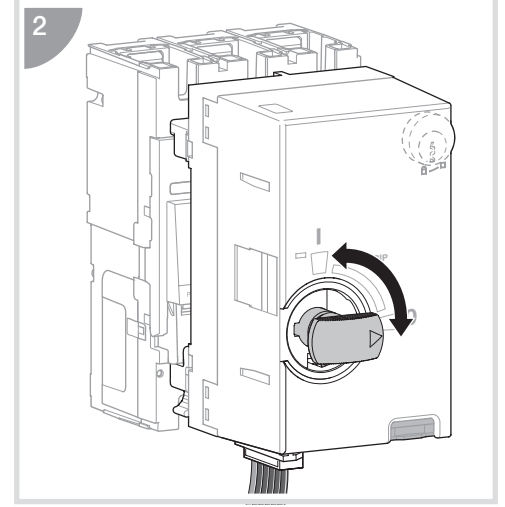
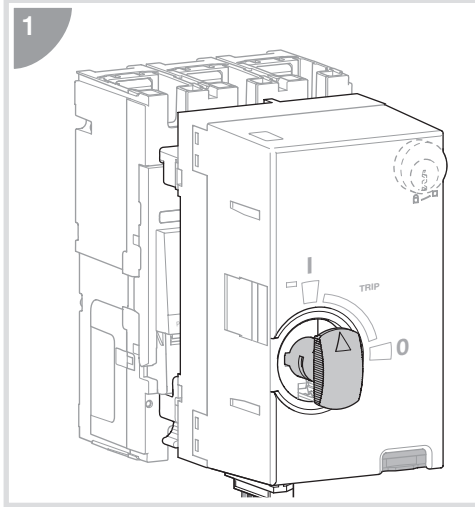
⚙️ ⚡

①	ON	✓	
②		✓	
③		✓	



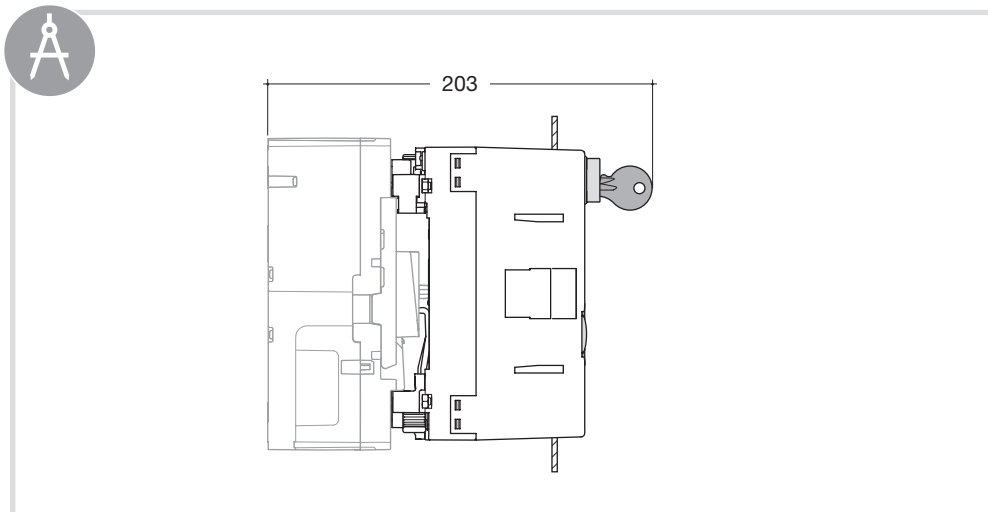
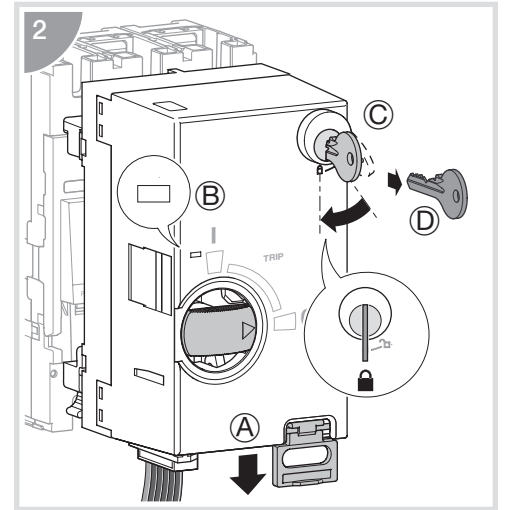
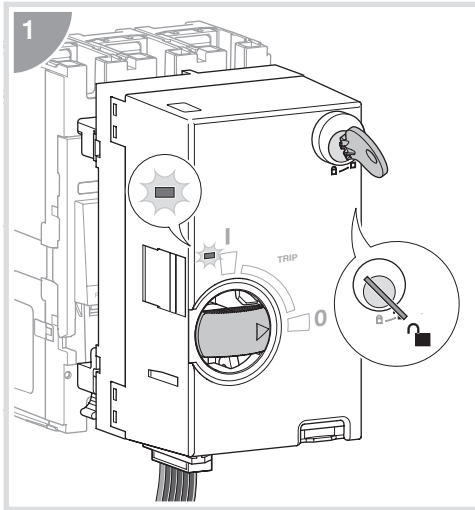
⚙️ ✎

①	OFF	✓	
②		✓	
③		✓	



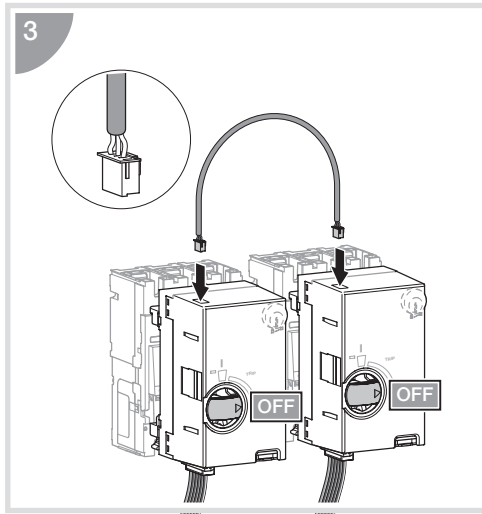
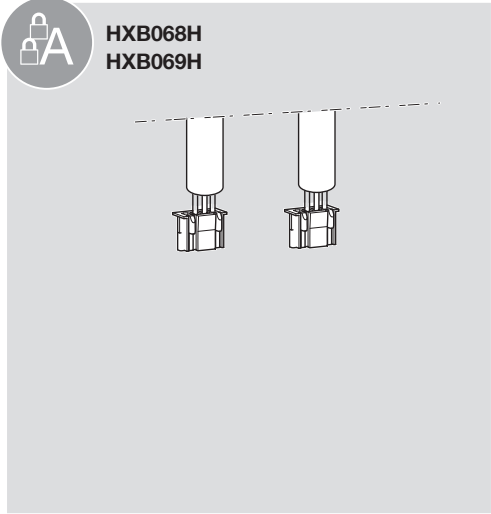
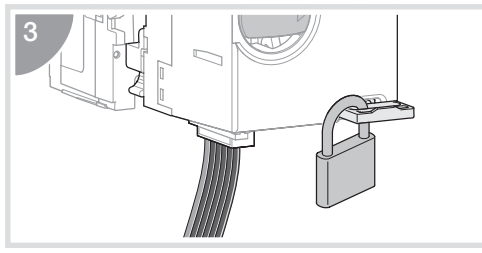
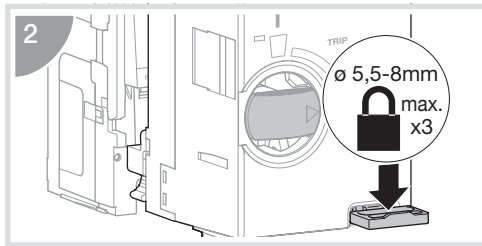
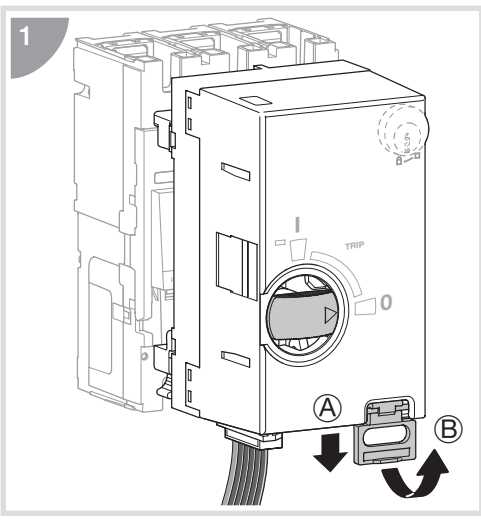
🔒

①	OFF	✓	
②		✓	



Locking

①	OFF	✓	
②		✓	



Electrical Components

HYT050H (3P)
HYT051H (4P)

x2

HYT021H (3P)
HYT022H (4P)

x2

HYT025H (3P)
HYT026H (4P)

x2

HYT023H (3P)
HYT024H (4P)

x2

