

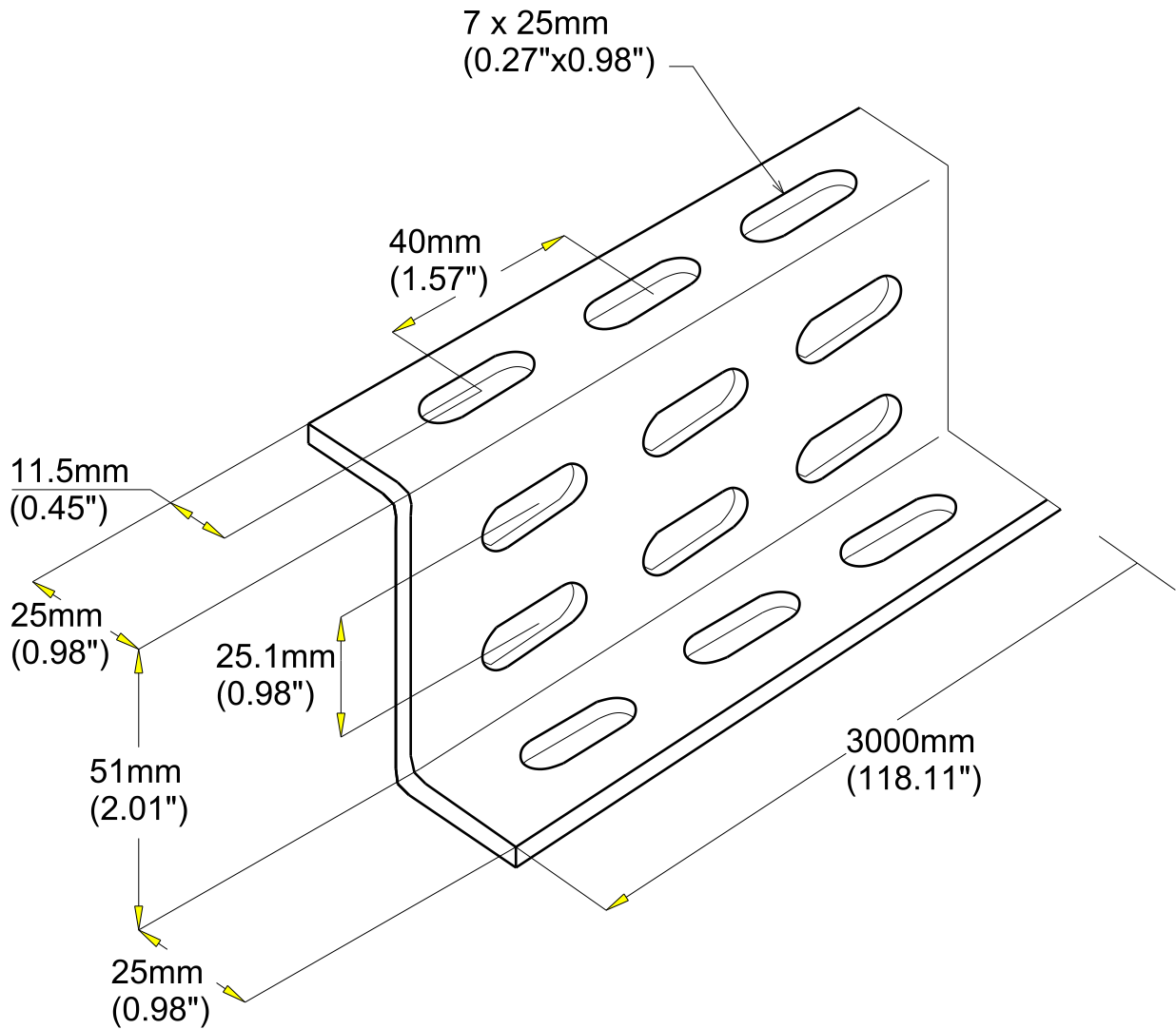
PROFIL Z Z24x48x24  
Z SECTION Z24x48x24

GS  
PG

**legrand** | CABLE  
MANAGEMENT

FT0264-0

03 16



Material	Standard
DX51D Z 275 MAC	EN 10 346

REF	CODE	POIDS (Kg/m)	WEIGHT (lb/ft)
Z 24x48x24	524 201	0.860	0.578

EPAISSEUR / THICKNESS
1.35 / (0.05")