



Product designation  
Product type designation

Power contactor  
BF26

**Contact characteristics**

Number of poles	Nr.	3
Rated insulation voltage $U_i$ IEC/EN	V	690
Rated impulse withstand voltage $U_{imp}$	kV	6
Operational frequency	min	Hz 25
	max	Hz 400
IEC Conventional free air thermal current $I_{th}$	A	45
Operational current $I_e$	AC-1 ( $\leq 40^\circ\text{C}$ )	A 45
	AC-1 ( $\leq 55^\circ\text{C}$ )	A 36
	AC-1 ( $\leq 70^\circ\text{C}$ )	A 32
	AC-3 ( $\leq 440\text{V} \leq 55^\circ\text{C}$ )	A 26
	AC-4 (400V)	A 11.5
Rated operational power AC-3 ( $T \leq 55^\circ\text{C}$ )	230V	kW 7.3
	400V	kW 13
	415V	kW 14
	440V	kW 14
	500V	kW 15.6
	690V	kW 18.5
Rated operational power AC-1 ( $T \leq 40^\circ\text{C}$ )	230V	kW 17
	400V	kW 30
	500V	kW 37
	690V	kW 51
IEC max current $I_e$ in DC1 with $L/R \leq 1\text{ms}$ with 1 poles in series	$\leq 24\text{V}$	A 25
	48V	A 21
	75V	A 18
	110V	A 6
	220V	A –
IEC max current $I_e$ in DC1 with $L/R \leq 1\text{ms}$ with 2 poles in series	$\leq 24\text{V}$	A 28
	48V	A 28
	75V	A 25
	110V	A 22
	220V	A 2
IEC max current $I_e$ in DC1 with $L/R \leq 1\text{ms}$ with 3 poles in series	$\leq 24\text{V}$	A 28
	48V	A 28
	75V	A 25
	110V	A 24

	220V	A	20
<hr/>			
IEC max current I <sub>e</sub> in DC1 with L/R ≤ 1ms with 4 poles in series			
	≤24V	A	28
	48V	A	28
	75V	A	25
	110V	A	24
	220V	A	26
<hr/>			
IEC max current I <sub>e</sub> in DC3-DC5 with L/R ≤ 15ms with 1 poles in series			
	≤24V	A	18
	48V	A	15
	75V	A	13
	110V	A	2
	220V	A	–
<hr/>			
IEC max current I <sub>e</sub> in DC3-DC5 with L/R ≤ 15ms with 2 poles in series			
	≤24V	A	20
	48V	A	20
	75V	A	18
	110V	A	13
	220V	A	3
<hr/>			
IEC max current I <sub>e</sub> in DC3-DC5 with L/R ≤ 15ms with 3 poles in series			
	≤24V	A	25
	48V	A	25
	75V	A	20
	110V	A	18
	220V	A	19
<hr/>			
IEC max current I <sub>e</sub> in DC3-DC5 with L/R ≤ 15ms with 4 poles in series			
	≤24V	A	30
	48V	A	30
	75V	A	25
	110V	A	20
	220V	A	15
<hr/>			
Short-time allowable current for 10s (IEC/EN60947-1)		A	210
<hr/>			
Protection fuse			
	gG (IEC)	A	50
	aM (IEC)	A	32
<hr/>			
Making capacity (RMS value)		A	260
<hr/>			
Breaking capacity at voltage			
	440V	A	208
	500V	A	184
	690V	A	168
<hr/>			
Resistance per pole (average value)		mΩ	2
<hr/>			
Power dissipation per pole (average value)			
	I <sub>th</sub>	W	4
	AC-3	W	1.4
<hr/>			
Tightening torque for terminals			
	min	Nm	2.5
	max	Nm	3
	min	I <sub>bin</sub>	1.8
	max	I <sub>bin</sub>	2.2
<hr/>			
Tightening torque for coil terminal			
	min	Nm	0.8
	max	Nm	1
	min	I <sub>bin</sub>	0.8

		max	lbin	0.74
Max number of wires simultaneously connectable			Nr.	2
Conductor section	AWG/Kcmil	max		6
Flexible w/o lug conductor section		min	mm <sup>2</sup>	2.5
		max	mm <sup>2</sup>	16
Flexible c/w lug conductor section		min	mm <sup>2</sup>	1
		max	mm <sup>2</sup>	10
Flexible with insulated spade lug conductor section		min	mm <sup>2</sup>	1
		max	mm <sup>2</sup>	10

Power terminal protection according to IEC/EN 60529 IP20 when properly wired

### Mechanical features

Operating position	normal allowable	Vertical plan ±30°
Fixing		Screw / DIN rail 35mm
Weight	g	429

Conductor section	AWG/kcmil conductor section	max	6
-------------------	-----------------------------	-----	---

### Operations

Mechanical life	cycles	20000000
Electrical life	cycles	1600000

### Safety related data

Performance level B10d according to EN/ISO 13489-1	rated load mechanical load	cycles	1600000
		cycles	20000000
Mirror contacts according to IEC/EN 60947-4-1			yes
EMC compatibility			yes

### AC coil operating

Rated AC voltage at 50/60Hz	V	24
AC operating voltage		
of 50/60Hz coil powered at 50Hz		
pick-up	min %Us	80
	max %Us	110
drop-out	min %Us	20
	max %Us	55
of 50/60Hz coil powered at 60Hz		
pick-up	min %Us	85
	max %Us	110
drop-out	min %Us	20
	max %Us	55

AC average coil consumption at 20°C  
of 50/60Hz coil powered at 50Hz

	in-rush	VA	75
	holding	VA	9
of 50/60Hz coil powered at 60Hz			
	in-rush	VA	70
	holding	VA	6.5
of 60Hz coil powered at 60Hz			
	in-rush	VA	75
	holding	VA	9
Dissipation at holding ≤20°C 50Hz		W	2.5

**Max cycles frequency**

Mechanical operation		cycles/h	3600
----------------------	--	----------	------

**Operating times**

Average time for Us control			
in AC			
	Closing NO		
		min	ms 8
		max	ms 24
	Opening NO		
		min	ms 5
		max	ms 15
	Closing NC		
		min	ms 9
		max	ms 20
	Opening NC		
		min	ms 9
		max	ms 17

**UL technical data**

Full-load current (FLA) for three-phase AC motor			
	at 480V	A	21
	at 600V	A	22

Yielded mechanical performance			
for single-phase AC motor			
	110/120V	HP	2
	230V	HP	5
for three-phase AC motor			
	200/208V	HP	7.5
	220/230V	HP	7.5
	460/480V	HP	15
	575/600V	HP	20

General USE			
Contactor			
	AC current	A	45

Short-circuit protection fuse, 600V			
High fault			
	Short circuit current	kA	100
	Fuse rating	A	100
	Fuse class		J
Standard fault			
	Short circuit current	kA	5
	Fuse rating	A	100

**Ambient conditions**

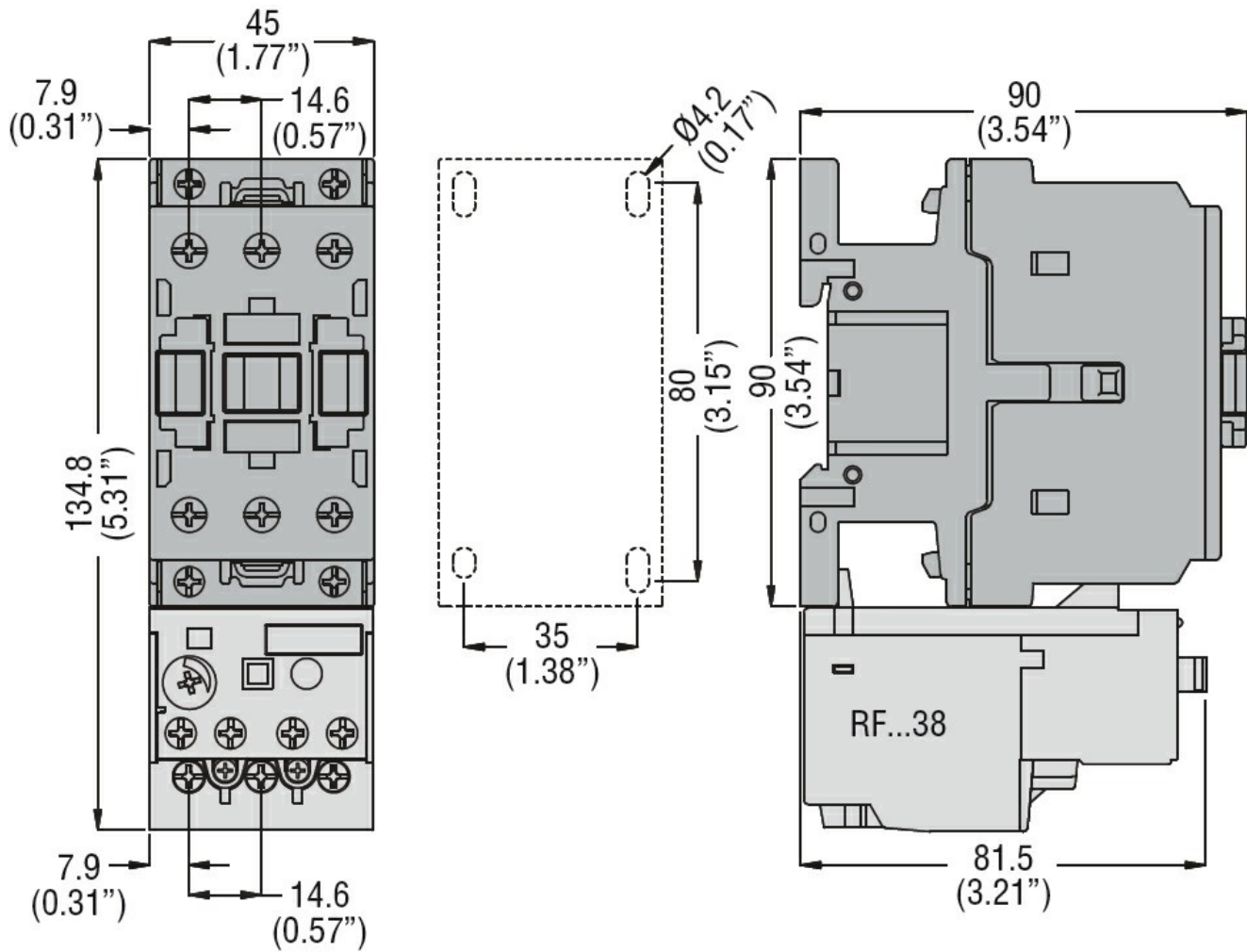
Temperature			
Operating temperature			
	min	°C	-50

Storage temperature	max	°C	70
	min	°C	-60
Max altitude	max	°C	80
		m	3000

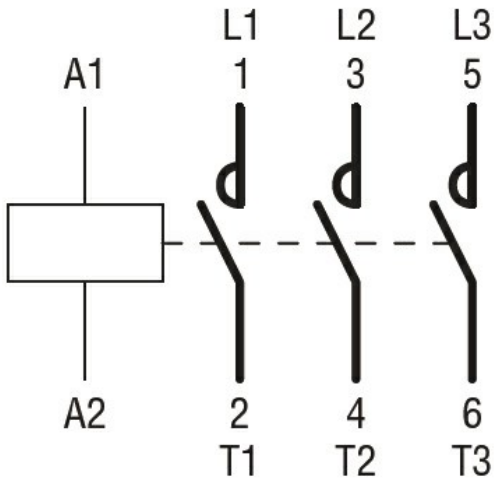
**Resistance & Protection**

Pollution degree	3
------------------	---

**Dimensions**



**Wiring diagrams**



**Certifications and compliance**

Compliance

CSA C22.2 n° 60947-1

CSA C22.2 n° 60947-4-1

IEC/EN/BS 60947-1

IEC/EN/BS 60947-4-1

UL 60947-1

UL 60947-4-1

Certificates

CCC

cULus

EAC

**ETIM classification**

ETIM 8.0

EC000066 -  
 Power contactor,  
 AC switching