

|   |                                       |    |      |                                     |
|---|---------------------------------------|----|------|-------------------------------------|
| Product designation                                       |                                       |    |      | Rotary cam switches                 |
| Product type designation                                  |                                       |    |      | GN200                               |
| <b>General characteristics</b>                            |                                       |    |      |                                     |
| Switching diagram   |                                       |    |      | 52 - Changeover switch 2 poles      |
| N° of elements  |                                       |    |      | 2                                   |
| Mounting form   |                                       |    |      | O - Rear mounting with black handle |
| <b>Contact characteristics</b>                            |                                       |    |      |                                     |
| Rated insulation voltage $U_i$                            | IEC/EN                                | V  | 690  |                                     |
|   | UL/CSA                                | V  | 600  |                                     |
| Rated impulse withstand voltage $U_{imp}$                 |                                       |    | kV   | 8                                   |
| Conventional free air thermal current $I_{th}$            | IEC/EN                                | A  | 200  |                                     |
|   | UL/CSA                                | A  | 200  |                                     |
| Rated operational voltage                                 |                                       |    | V    | 690                                 |
| Rated operational impulse voltage                         |                                       |    | kV   | 6                                   |
| Maximum fuse size for short-circuit protection $I_n$ (gG) | 10kA                                  | A  | 200  |                                     |
|   | 15kA                                  | A  | 200  |                                     |
| Rated short time current $I_{cw}$                         |                                       |    | 1s   | A                                   |
|   |                                       |    |      | 3300                                |
| Operational current $I_e$ IEC/EN<br>AC1/AC21A             |                                       |    | A    | 200                                 |
|   |                                       |    |      |                                     |
| Rated operational power in AC<br>Three-phase AC-3         | 220/230V                              | kW | 27.5 |                                     |
|   | 380/440V                              | kW | 47   |                                     |
|   |                                       |    |      |                                     |
| Rated operational current in DC<br>DC21A                  | 48V                                   | A  | 200  |                                     |
|   | 60V                                   | A  | 200  |                                     |
|   | 110V                                  | A  | 35   |                                     |
|   | 220V                                  | A  | 2.5  |                                     |
|   | 440V                                  | A  | 0.9  |                                     |
| Power dissipation   |                                       |    | W    | 26                                  |
| <b>Mechanical features</b>                                |                                       |    |      |                                     |
| Terminals screw   |                                       |    |      | M10                                 |
| Tightening torque for terminals max                       |                                       |    |      | Nm 10                               |
| Conductor size  | AWG - Rigid cable                     |    | Max  | AWG 1X3                             |
|   | AWG - Flexible cable                  |    | Max  | AWG 0                               |
|   | Conductor size (IEC) - Flexible cable |    | Max  | mm <sup>2</sup> 1X95                |
|   | Conductor size (IEC) - Rigid cable    |    | Max  | mm <sup>2</sup> 1X95                |
|   |                                       |    |      | cycles 2X10 <sup>5</sup>            |
| Mechanical life   |                                       |    |      |                                     |

**UL technical data**

Motor power for direct-on-line control

for three-phase motor

|      |    |     |
|------|----|-----|
| 120V | HP | 30  |
| 240V | HP | 50  |
| 480V | HP | 100 |
| 600V | HP | 75  |

for single-phase motor

|      |    |    |
|------|----|----|
| 120V | HP | 15 |
| 240V | HP | 30 |

**Ambient conditions**

Temperature

Operating temperature

|     |    |     |
|-----|----|-----|
| min | °C | -25 |
| max | °C | +55 |

Storage temperature

|     |    |     |
|-----|----|-----|
| min | °C | -40 |
| max | °C | +70 |

**Resistance & Protection**

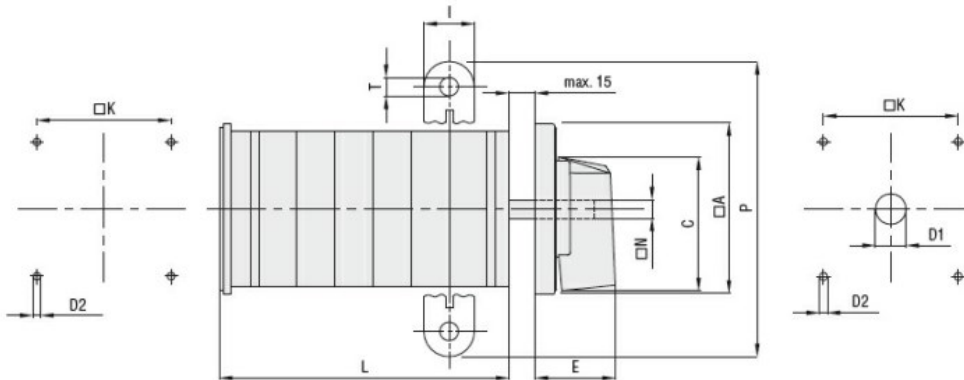
Frontal IP degree

IP40

Terminals IP degree

IP00

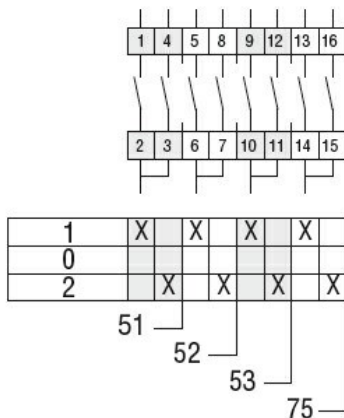
**Dimensions**



| Series       | Dimensions |     |     |    |    |     |    |     |      | L Number of elements ① |     |     |     |     |     |     |     |     |     |     |     |
|--------------|------------|-----|-----|----|----|-----|----|-----|------|------------------------|-----|-----|-----|-----|-----|-----|-----|-----|-----|-----|-----|
|              | □A         | C   | ØD2 | E  | I  | □K  | □N | P   | ØT   | 1                      | 2   | 3   | 4   | 5   | 6   | 7   | 8   | 9   | 10  | 11  | 12  |
| <b>GN200</b> | 132        | 104 | 5.3 | 56 | 20 | 104 | 10 | 140 | 10.5 | 77                     | 107 | 136 | 166 | 196 | 226 | 284 | 314 | 343 | 373 | 402 | 432 |
| <b>GN315</b> | 132        | 104 | 5.3 | 56 | 20 | 104 | 10 | 145 | 10.5 | 77                     | 107 | 136 | 166 | 196 | 226 | 284 | 314 | 343 | 373 | 402 | 432 |

① For devices with 6 or more elements please contact please consult Technical support, see contact details on inside front cover.

**Wiring diagrams**



**Certifications and compliance**

Compliance

IEC/EN/BS 60947-1  
IEC/EN/BS 60947-3  
IEC/EN/BS 60947-5-1  
UL60947-4-1

Certificates

UR

**ETIM classification**

ETIM 8.0

EC001029 -  
Selector switch,  
complete