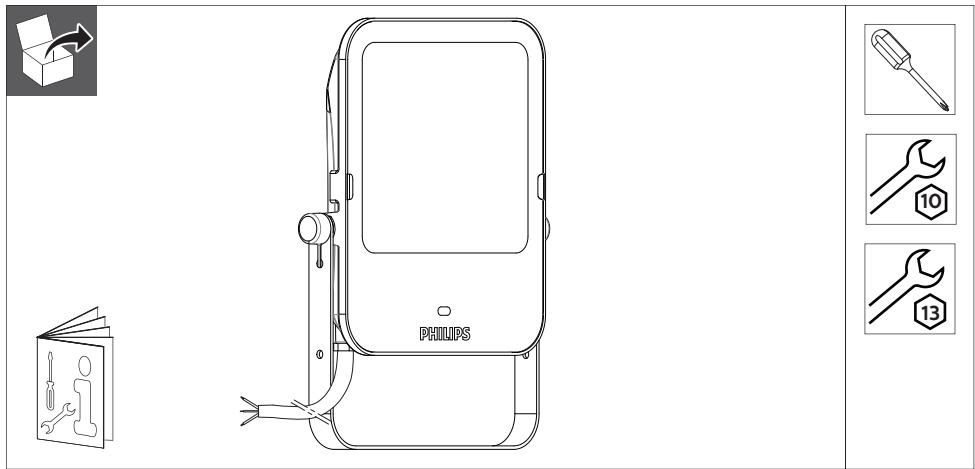


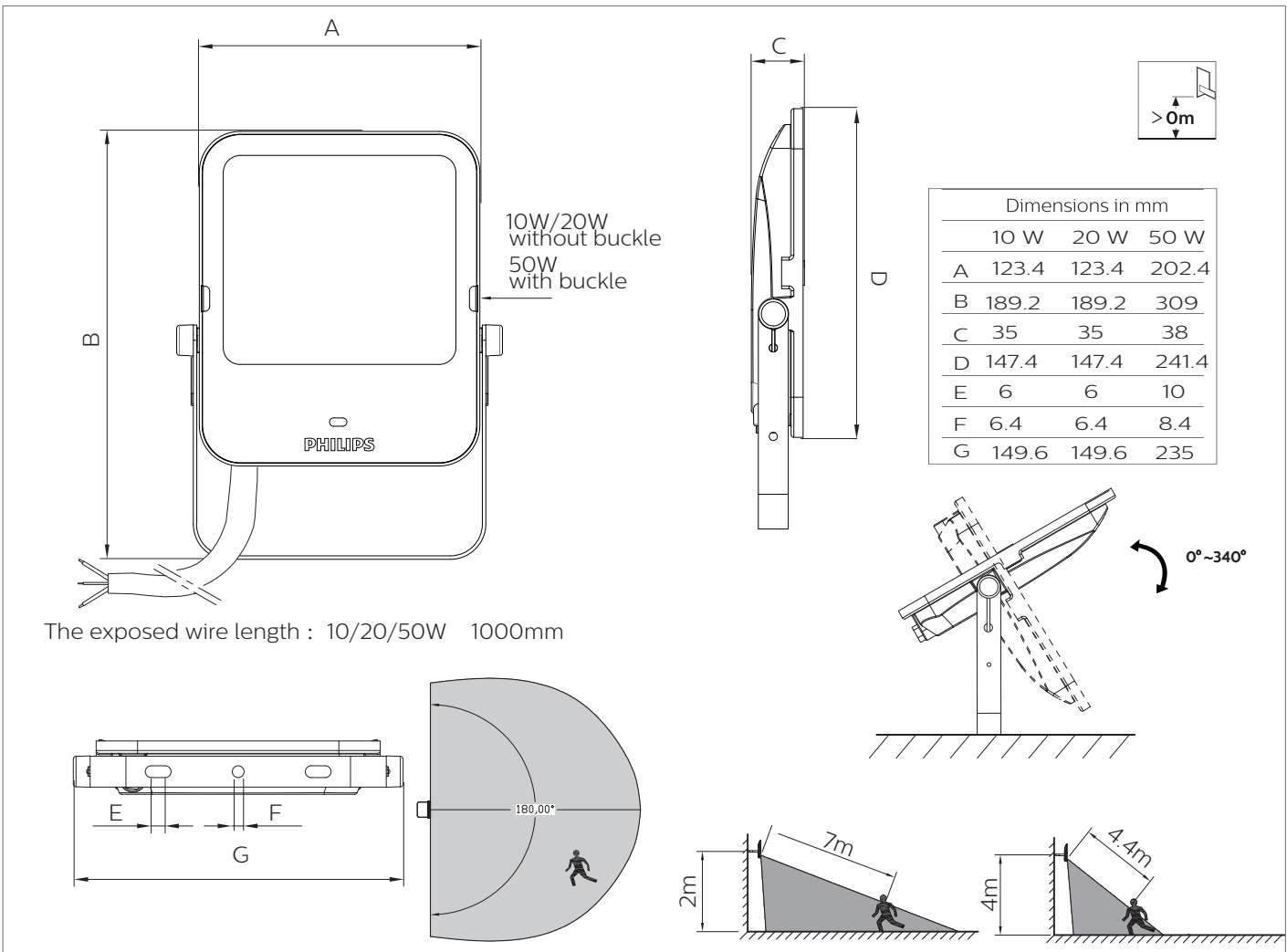
PHILIPS

LED Floodlight

BVP154



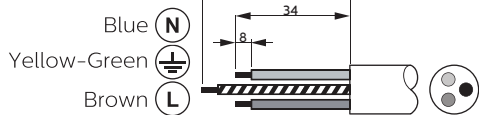
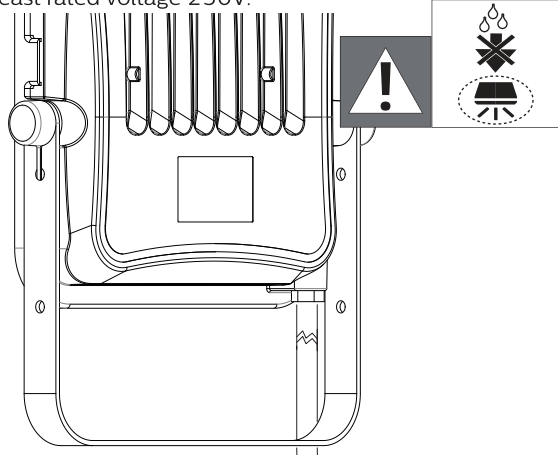
	Flux (lm)	Power (W)	Beam	m ²	kg
BVP154 LED10/830 PSU 10W VWB MDU CE	1000	10	100°~120°	0.018	0.63
BVP154 LED20/830 PSU 20W VWB MDU CE	2000	20		0.018	0.63
BVP154 LED50/830 PSU 50W VWB MDU CE	5000	50		0.048	1.44
BVP154 LED10/840 PSU 10W VWB MDU CE	1050	10		0.018	0.63
BVP154 LED20/840 PSU 20W VWB MDU CE	2100	20		0.018	0.63
BVP154 LED50/840 PSU 50W VWB MDU CE	5250	50		0.048	1.44





Install the luminaire according to the national regulations.

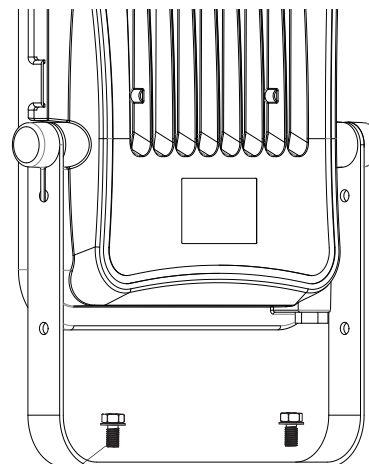
It is recommended to use a supply box with a minimum IP65/67 waterproof, and 3P terminal, the terminal is at least rated voltage 250V.



220V
240V



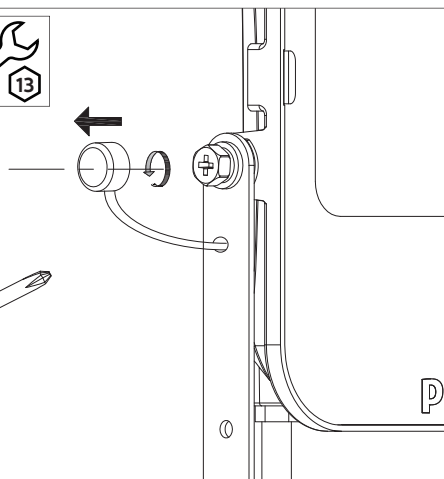
If the luminaire is higher >3 m, the use of 2nd fixing security system is needed.



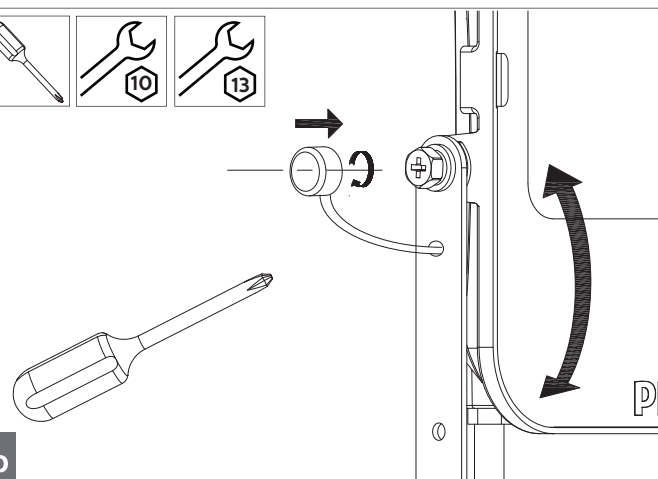
2x
10W/20W:M6
50W:M8

1a

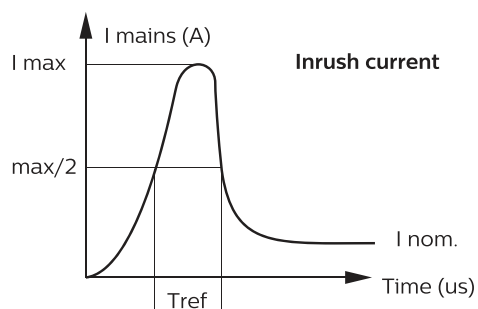
1b



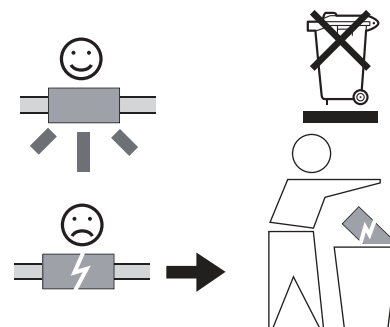
2a



2b



	10W	20W	50W
Electrical characteristics			
I _{max} (A)	0.54	0.64	0.90
T _{ref} (μs)	5.40	6.90	10.88
MCB	Floodlight Max.		
B-10 A	137	68	29
B-16 A	220	110	47
C-10 A	160	80	34
C-16 A	257	128	54



- The luminaire shall be installed or maintained by a qualified electrician and wired in accordance with the latest IEE electrical regulations or the national requirements.
- The external flexible cable or cord of this luminaire cannot be replaced; if the cord is damaged, the luminaire shall be destroyed.
- The light source of this luminaire is not replaceable; when the light source reaches its end of life the whole luminaire shall be replaced.

Description of remote control keys

Press ON
The light will always on if you have electricity

Press OFF

Light will always not no, even if you already have electricity

Press TEST

1. Press the "TEST" option, sensor will be work in 24H in the delay time 10Sec, high distance.
2. if you want change the mode (Time-delay, detection distance, ambient light) , you must press "TEST"

Press the button

change The delay time
TIME-DELAY: 10±3",30±5",60±10",5±1",8±2",10±3'

Press AUTO

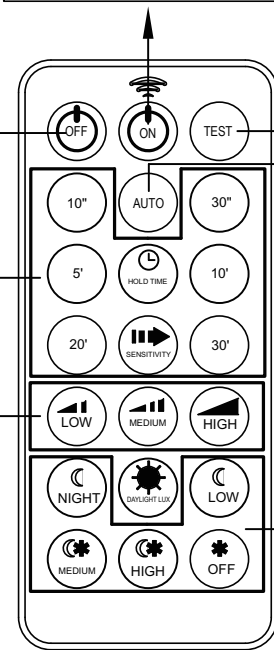
The default mode 5'(5 Min), MEDIUM (3-7 m) and MEDIUM (30-70LUX).

Press the button

change the detection distance
LOW: 1-3m
MEDIUM: 3-7m
HIGH: >7m

Press the button

change the ambient light
NIGHT: 1-10LUX
LOW: 10-30LUX
MEDIUM: 30-70LUX
HIGH: 70-150LUX
OFF: the sensor can work during the day and night

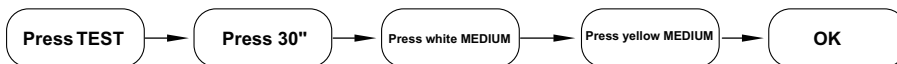


The working conditions

Power Source	220-240V/AC	Working Humidity	<93%RH
Power Frequency	50/60Hz	Installation Height	1.5-2.5m
Power Consumption	≤ 0.5W (work, static)	Rated Load	MAX0.5A/100W
Detection Range	>160°	Working Temperature	-25°C ~ +50°C

How to get a mode you want :

for example we want get a mode: 30" ,3-7m, 30-70lux.



NOTES:

1. after you press TEST you have entered the adjustment mode.for example when you press 30" the delay time will be 30s and it will be remembered automatically.you don't need to press any key to save the mode.
2. when you want to change another mode you should press TEST again, at the same time you press TEST the mode will be reset .This is to say the button of delay time, ambient light and detection distance which you want should be press again.
3. The current mode will be subject to final adjustment mode.

SOME PROBLEM AND SOLVED WAY

➤The load don't work:

- a. Check the power and the load.
- b. Whether the indicator light is turned on after sensing? If yes, please check load.
- c. If the indicator light does not turn on after sensing, please check if the working light corresponds to the ambient light.
- d. Please check if the working voltage corresponds to the power source.

➤The sensitivity is poor:

- a. Please check if in front of the detection window there is hinder that has effect on receiving the signals.
- b. Please check the ambient temperature.
- c. Please check if the signals source is in the detection fields.
- d. Please check the installation height.

➤The sensor can't shut automatically the load:

- a. If there are continual signals in the detection fields.
- b. If the time delay is set to the longest.
- c. If the power corresponds to the instruction.
- d. If the air temperature changes near the sensor, air condition or central heating etc.