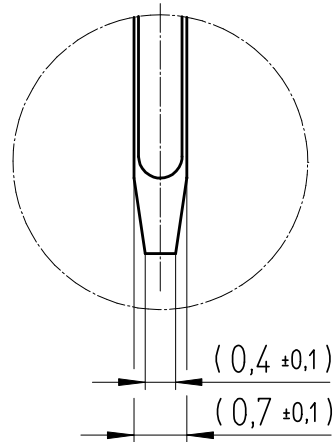


Layout top view



- Samples can deviate in the execution from the serie.

Tab material: Stainless steel

All framed values will be used for dimension checking !

- Dimensions and tolerances can be specified only after the testing of the devices for the mass production definitely

Rev.	<input type="radio"/>		Rev.	<input type="radio"/>			Customer's Approval		
Rev.	<input type="radio"/>		Rev.	<input type="radio"/>			Date		
Rev.	<input type="radio"/>		Rev.	<input type="radio"/>			Signature		
Titel:						Scale 2:1	Drawn	21.12.04	SRi
CR1220FV-LF							Checked	07.02.05	MHo
							Approved		
						CH-4452 Itingen		3.8701.4-	
						Switzerland			