

Product designation				Enclosed rotary cam switch	
Product type designation				GN315	
General characteristics					
Switching diagram				13 - Dahlander motor control switch 1-0-2	
N° of elements				4	
Mounting form				L - Metal enclosure with black handle	
Contact characteristics					
Rated insulation voltage Ui	IEC/EN	V	690		
	UL/CSA	V	600		
Rated impulse withstand voltage Uimp			kV	8	
Conventional free air thermal current Ith	IEC/EN	A	315		
	UL/CSA	A	255		
Rated operational voltage			V	690	
Rated operational impulse voltage			kV	6	
Maximum fuse size for short-circuit protection In (gG)	10kA	A	315		
	15kA	A	315		
Rated short time current Icw			1s	A	
				5200	
Operational current Ie IEC/EN AC1/AC21A			A	315	
Rated operational power in AC Three-phase AC-3	220/230V	kW	37		
	380/440V	kW	55		
	500/690V	kW	69		
	Single-phase AC-3	110V	kW	11	
		220/230V	kW	22	
380/440V		kW	30		
Rated operational current in DC DC21A	48V	A	200		
	60V	A	200		
	110V	A	35		
	220V	A	2.5		
	440V	A	0.9		
Power dissipation			W	64.5	
Mechanical features					
Terminals screw				M10	
Tightening torque for terminals max			Nm	10	
Conductor size	AWG - Rigid cable				
		Max	AWG	1XMCM350	
AWG - Flexible cable					

Conductor size (IEC) - Flexible cable	Max	AWG	1XMCM350
Conductor size (IEC) - Rigid cable	Max	mm ²	1X185
Mechanical life	Max	mm ²	1X185
		cycles	2X10 ⁵

UL technical data

Motor power for direct-on-line control for three-phase motor	120V	HP	30
	240V	HP	50
	480V	HP	100
	600V	HP	75
for single-phase motor	120V	HP	15
	240V	HP	30

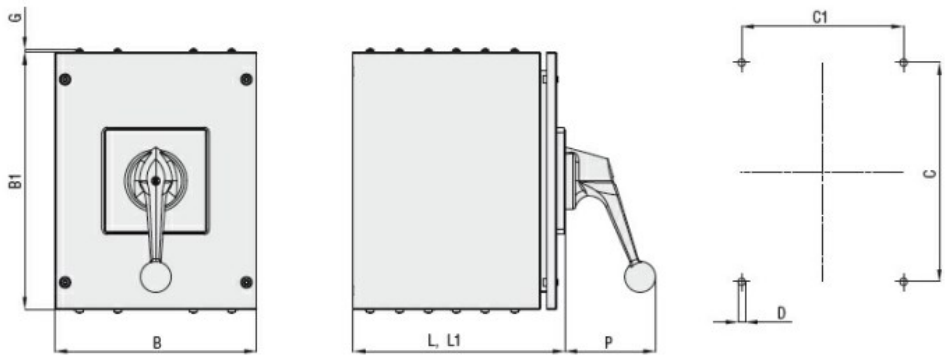
Ambient conditions

Temperature			
Operating temperature	min	°C	-25
	max	°C	+55
Storage temperature	min	°C	-40
	max	°C	+70

Resistance & Protection

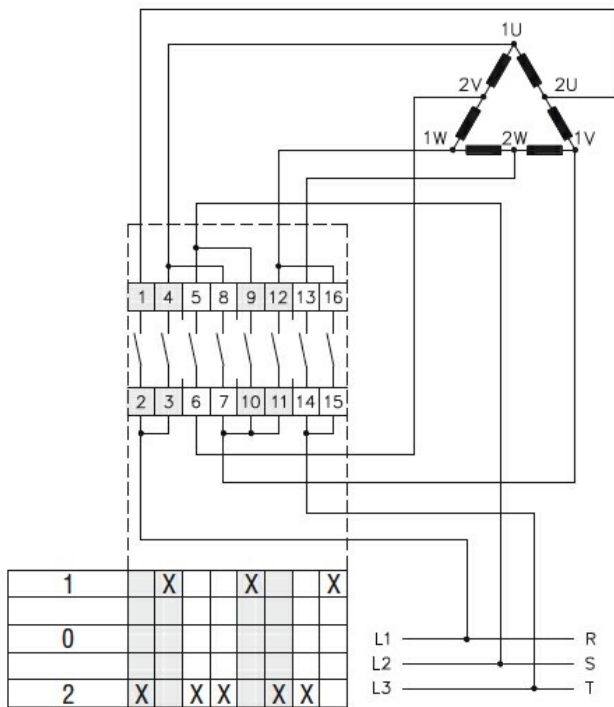
Frontal IP degree	IP54
Terminals IP degree	IP00

Dimensions



Series	Enclosure size	Number of elements		Dimensions									Protection degree
		L	L1	L	L1	B	B1	C	C1	D	G	P	
GN200	250x316	1 - 3	4 - 6	162	252	250	316	270	200	9	4.5	98	IP54
GN315		1 - 3	4 - 6	162	252	250	316	270	200	9	4.5	98	IP54

Wiring diagrams



Certifications and compliance

Compliance

- IEC/EN/BS 60947-1

- IEC/EN/BS 60947-3

- IEC/EN/BS 60947-5-1

ETIM classification

ETIM 8.0

EC001029 -
Selector switch,
complete