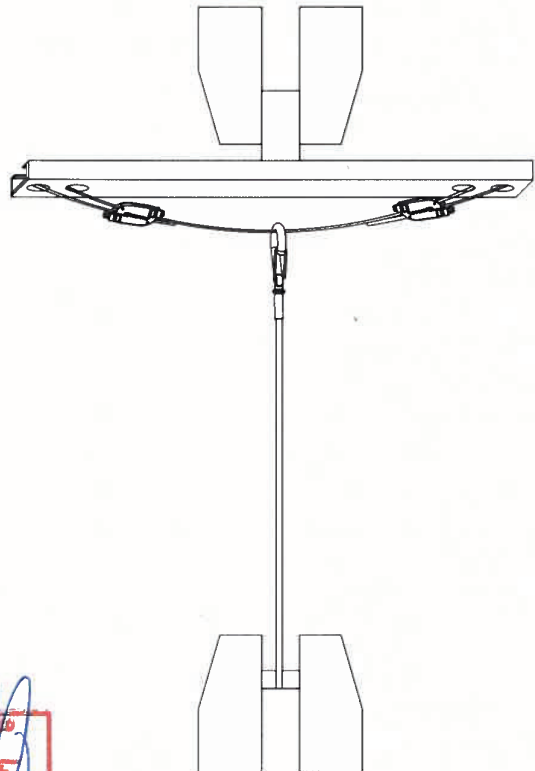


Project: 3 mm Catenary
Client: Gripple Ltd
Client's Order No: I4182
Inspection Date:
First: 15 / 04 / 2010

Certificate No: COV1019137
Office: Sheffield
Date: 15 / 04 / 2010
Order Status: Complete
Final: 14 / 07 / 2010

This certificate is issued to Gripple Ltd to certify that the undersigned surveyor did, at their request attend the premises at The Old West Gun Works, Sheffield on and between the above dates for the purpose of examining and witnessing tests on the items listed below. All tests produced satisfactory results

TEST CONFIGURATION



M Cobb
 Surveyor of Lloyd's Register

Gripple Model	Rope Construction	Horizontal Rated Load	Gripple Load Limit 5:1	Results		
3 mm Catenary	7x7	0 - 30 kg 0 - 65 lbs	150 kg 325 lbs	424 kg 932 lbs	395 kg 869 lbs	373 kg 820 lbs