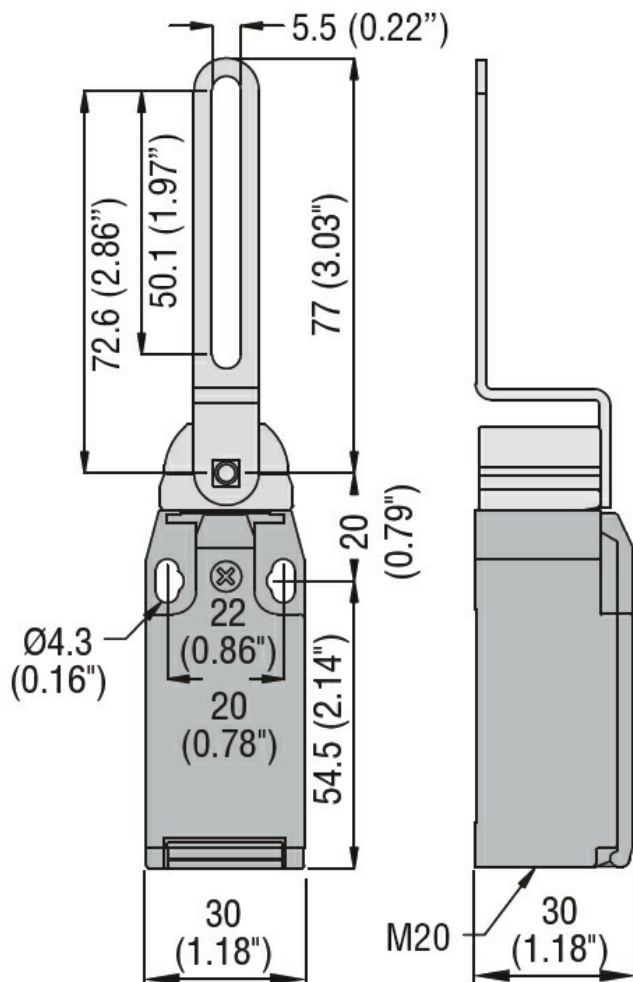




Product designation				Slotted lever
Product type designation				KMQ
General characteristics				
General characteristics				
Housing Material				Aluminium-zinc alloy
Contact characteristics				
Type of contact				3NC Slow action
Thermal current I _{th}		A		10
IEC/EN 60947-5-1 designation				A300 Q300
Rated insulation voltage U _i		V		440
Rated impulse withstand voltage U _{imp}		kV		4
Short-circuit protection with fuse		Class/A		10 gG/SC QUICK FUSE
Switching speed				
		min	m/s	0.5
		max	m/s	1.5
IEC Conventional free air thermal current I _{th}		A		10
Resistance per pole (average value)		mΩ		<10
Operations				
Mechanical life		cycles		100000
B10d		cycles		100000
Mechanical operation		cycles/h		3600
Output characteristics				
Mechanical life		cycles		100000
Mechanical features				
Operating head fixing				Locking bayonet insert
Operating torque				
		Ncm		15
		ozin		21.2
Tightening torque (Max)				
Switch fixing				
		Nm		2.5
		lbin		22.1
Contact terminals				
		Nm		0.8
		lbin		7
Body lid screw fixing				
		Nm		0.8
		lbin		7
Conductor section				
AWG/Kcmil				
		min		16
		max		14

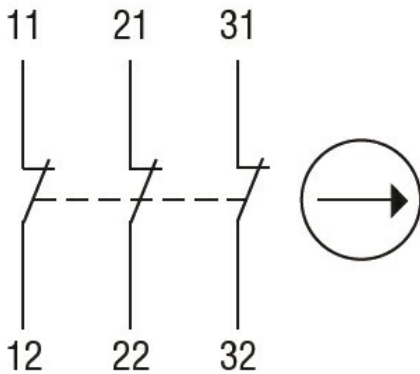
IEC		min	mm ²	1 or 2
		max	mm ²	2.5
Cable connection				Self-releasing screw terminal
Cable entry				M20 on the bottom
Ambient conditions				
Pollution degree				3
Temperature	Operating temperature			
	min	°C	-25	
	max	°C	+70	
	Storage temperature			
	min	°C	-40	
	max	°C	+70	

Dimensions



Wiring diagrams

Slow action



3NC

Certifications and compliance

Compliance

CSA C22.2 n° 14

EN 50047

IEC/EN 60204-1

IEC/EN 60947-1

IEC/EN 60947-5-1

UL508

Certificates

CCC

cULus

EAC

ETIM classification

ETIM 8.0

EC000030 - End switch