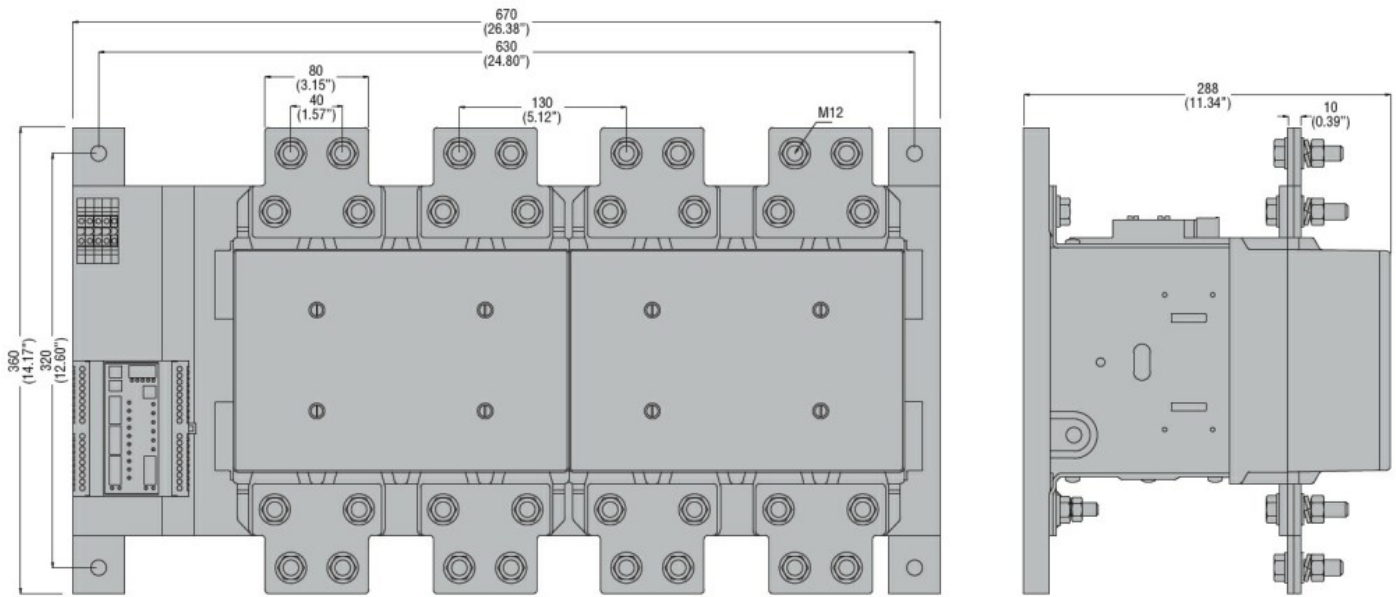




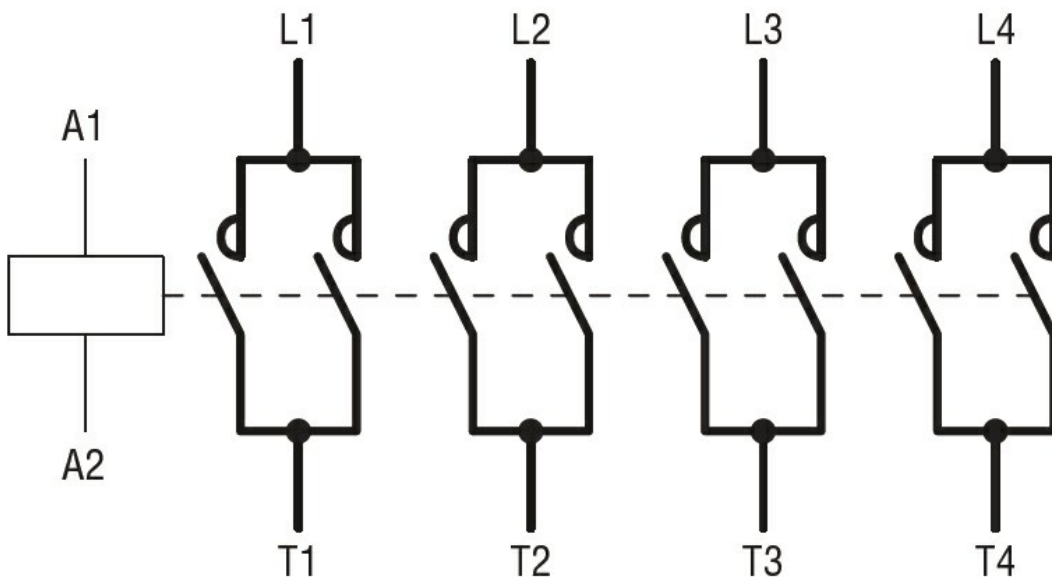
| | | | | |
|-----------------------------------------------------------|-----------------|------------------|--------------|-----------------|
| Product designation | | | | Power contactor |
| Product type designation | | | | B1250 |
| Contact characteristics | | | | |
| Number of poles | Nr. | | | 4 |
| Rated insulation voltage U _i IEC/EN | V | | | 690 |
| Rated impulse withstand voltage U _{imp} | kV | | | 8 |
| Operational frequency | min | Hz | 25 | |
| | max | Hz | 400 | |
| IEC Conventional free air thermal current I _{th} | A | | | 1250 |
| Operational current I _e | AC-1 (≤40°C) | A | 1250 | |
| | AC-1 (≤55°C) | A | 1050 | |
| | AC-1 (≤70°C) | A | 880 | |
| Rated operational power AC-1 (T≤40°C) | 230V | kW | 480 | |
| | 400V | kW | 830 | |
| | 500V | kW | 1100 | |
| | 690V | kW | 1450 | |
| Short-time allowable current for 10s (IEC/EN60947-1) | A | | | 6500 |
| Protection fuse | gG (IEC) | A | 1250 | |
| | | A | 6300 | |
| Making capacity (RMS value) | | | A | 6300 |
| Breaking capacity at voltage | 440V | A | 6300 | |
| | 500V | A | 5600 | |
| | 690V | A | 5000 | |
| Resistance per pole (average value) | | | mΩ | 7 |
| Power dissipation per pole (average value) | I _{th} | W | 110 | |
| | min | Nm | 35 | |
| Tightening torque for terminals | max | Nm | 35 | |
| | min | I _{bin} | 25.8 | |
| | max | I _{bin} | 25.8 | |
| | | | | |
| Max number of wires simultaneously connectable | | | Nr. | 2 |
| Conductor section | AWG/Kcmil | | | |
| | max | | 2x 1500kcmil | |
| Power terminal protection according to IEC/EN 60529 | | | IP00 | |
| Mechanical features | | | | |
| Operating position | normal | | | Vertical plan |
| | allowable | | | ±30° |
| Fixing | | | Screw | |

| | | | |
|----------------------------------------------------|---------------------------------|-----------------|----------------|
| Weight | | g | 5750 |
| Conductor section | AWG/kcmil conductor section | | |
| | | max | 2x 1500kcmil |
| Auxiliary contact characteristics | | | |
| Thermal current Ith | | A | 16 |
| IEC/EN 60947-5-1 designation | | | A600 - P600 |
| Operating current AC15 | | | |
| | | 230V | A 3 |
| | | 400V | A 1.9 |
| | | 500V | A 1.4 |
| Operating current DC12 | | | |
| | | 110V | A 5.7 |
| Operating current DC13 | | | |
| | | 24V | A 5.7 |
| | | 48V | A 2.9 |
| | | 60V | A 2.3 |
| | | 125V | A 0.6 |
| | | 220V | A 0.2 |
| | | 600V | A 1.2 |
| Operations | | | |
| Mechanical life | | cycles | 5000000 |
| Electrical life | | cycles | 700000 |
| Safety related data | | | |
| Performance level B10d according to EN/ISO 13489-1 | | | |
| | | rated load | cycles 700000 |
| | | mechanical load | cycles 5000000 |
| Mirror contacts according to IEC/EN 60947-4-1 | | | yes |
| EMC compatibility | | | yes |
| AC coil operating | | | |
| Rated AC voltage at 50/60Hz, 60Hz | | | |
| | | min | V 110 |
| | | max | V 125 |
| AC operating voltage | | | |
| | of 50/60Hz coil powered at 50Hz | | |
| | pick-up | min | %Us 80 |
| | | max | %Us 110 |
| | drop-out | min | %Us 20 |
| | | max | %Us 60 |
| | of 50/60Hz coil powered at 60Hz | | |
| | pick-up | min | %Us 80 |
| | | max | %Us 110 |
| | drop-out | min | %Us 20 |
| | | max | %Us 60 |
| | of 60Hz coil powered at 60Hz | | |
| | pick-up | min | %Us 80 |
| | | max | %Us 110 |
| | drop-out | | |

| | | | |
|------------------------------------------------------|---------|-------------|--------|
| | min | %Us | 20 |
| | max | %Us | 60 |
| AC average coil consumption at 20°C | | | |
| of 50/60Hz coil powered at 50Hz | | | |
| | in-rush | VA | 800 |
| | holding | VA | 45 |
| of 50/60Hz coil powered at 60Hz | | | |
| | in-rush | VA | 800 |
| | holding | VA | 45 |
| Dissipation at holding ≤20°C 50Hz | | W | 40 |
| DC coil operating | | | |
| DC rated control voltage | | | |
| | min | V | 110 |
| | max | V | 125 |
| DC operating voltage | | | |
| pick-up | | | |
| | min | %Us | 80 |
| Max cycles frequency | | | |
| Mechanical operation | | cycles/h | 1200 |
| Operating times | | | |
| Average time for Us control | | | |
| in AC | | | |
| Closing NO | | min | ms 300 |
| | | max | ms 450 |
| Opening NO | | min | ms 70 |
| | | max | ms 130 |
| in DC | | | |
| Closing NO | | min | ms 300 |
| | | max | ms 450 |
| Opening NO | | min | ms 70 |
| | | max | ms 130 |
| UL technical data | | | |
| Contact rating of auxiliary contacts according to UL | | A600 - P600 | |
| Ambient conditions | | | |
| Temperature | | | |
| Operating temperature | | | |
| | min | °C | -50 |
| | max | °C | 60 |
| Storage temperature | | | |
| | min | °C | -60 |
| | max | °C | 80 |
| Max altitude | | m | 3000 |
| Resistance & Protection | | | |
| Pollution degree | | 3 | |
| Dimensions | | | |



Wiring diagrams



Certifications and compliance

Compliance

CSA C22.2 n° 60947-1
CSA C22.2 n° 60947-4-1
IEC/EN 60947-1
IEC/EN 60947-4-1
UL 60947-1
UL 60947-4-1

Certificates

/

ETIM classification

ETIM 8.0

EC000066 -
Power contactor,
AC switching