

PANDUIT® NET-ACCESS N-Type Switch Cabinets

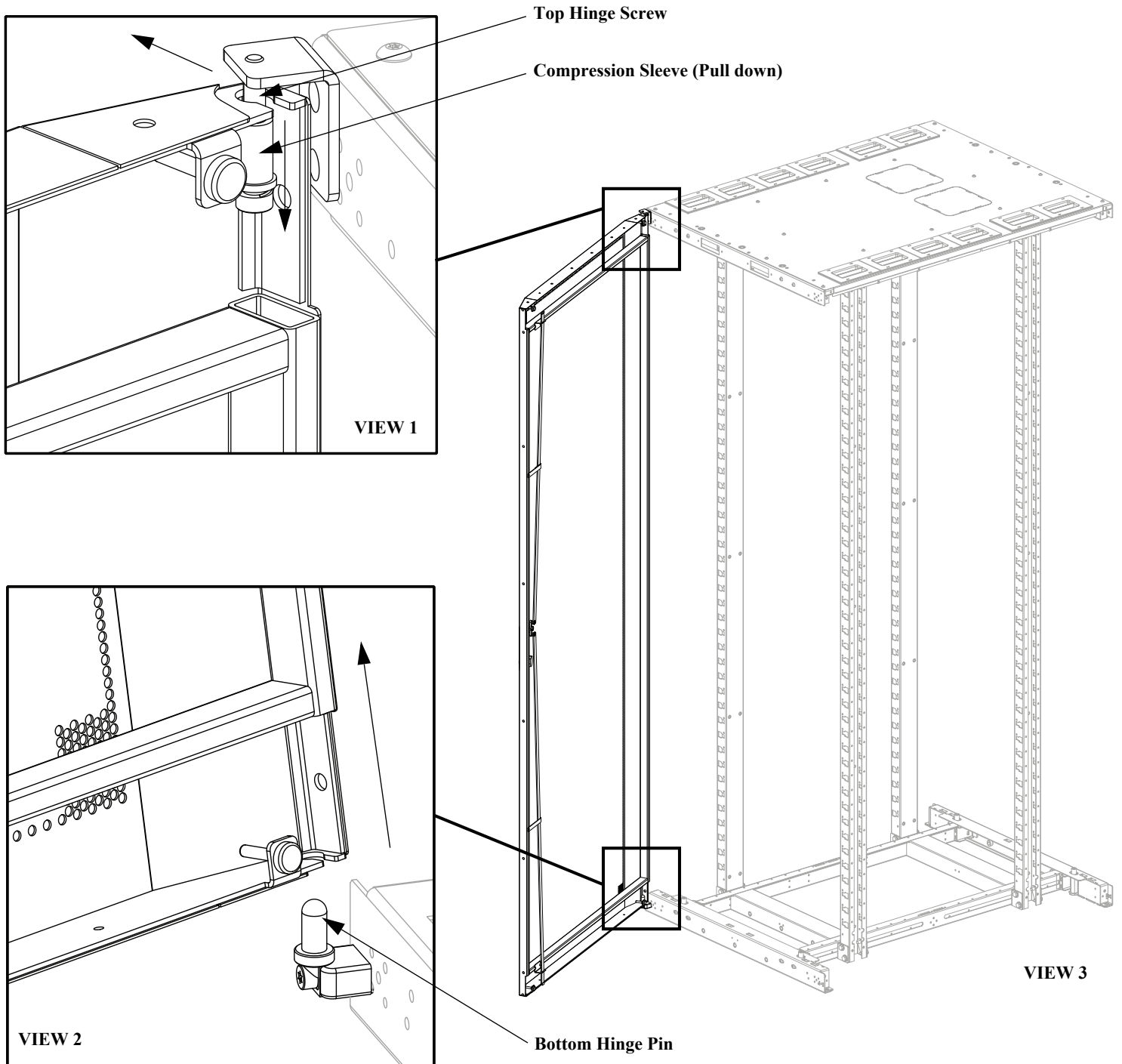
(Single Hinge Door Installation)

INSTRUCTIONS V00029BL

© Panduit Corp. 2012-2013

Single Hinge Door (Removal and Installation)

- VIEW 1 Pull down Compression Sleeve at top door hinge
- VIEW 1 Pull Single Hinge Door away from cabinet so that Top Hinge Screw fits through cutout of door
- VIEW 2 Lift bottom of door off Bottom Hinge Pin
- REVERSE STEPS to install Single Hinge Door



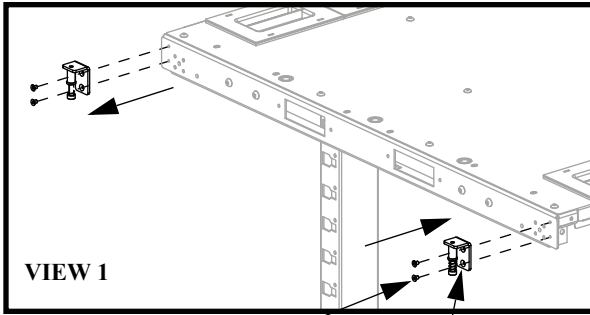
FOR TECHNICAL SUPPORT www.panduit.com/resources/install_maintain.asp

Single Hinge Door (Door Handle Direction Reversal)

- VIEW 1, 2 Remove Top and Bottom Hinge Brackets from current location (remove top hinge screw, if necessary)
- VIEW 1, 2 Install Top and Bottom Hinge Brackets on opposite side of cabinet (re-install top hinge screw, if necessary)

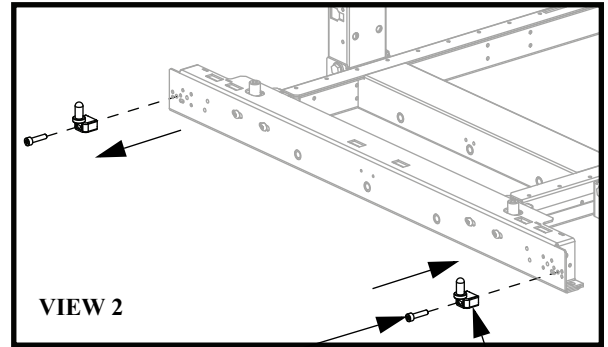
Door Handle Reversal (Lay door on a flat surface) - VIEW 3, 4

- Remove [2] E-clips from Door Handle Cam and exchange positions of Top and Bottom Door Rods
- Remove Door Handle Backing Plate and rotate position of Door Handle 180°
- With Door Handle repositioned, secure Door Handle Backing Plate to Door Handle
- Attach Top and Bottom Door Rods to Door Handle Cam with [2] E-clips (ensure that door rods are behind door rod guides)
- Remove PANDUIT label and re-attach in correct orientation near top of door
- Reinstall Single Hinge Door per instructions on Page 1



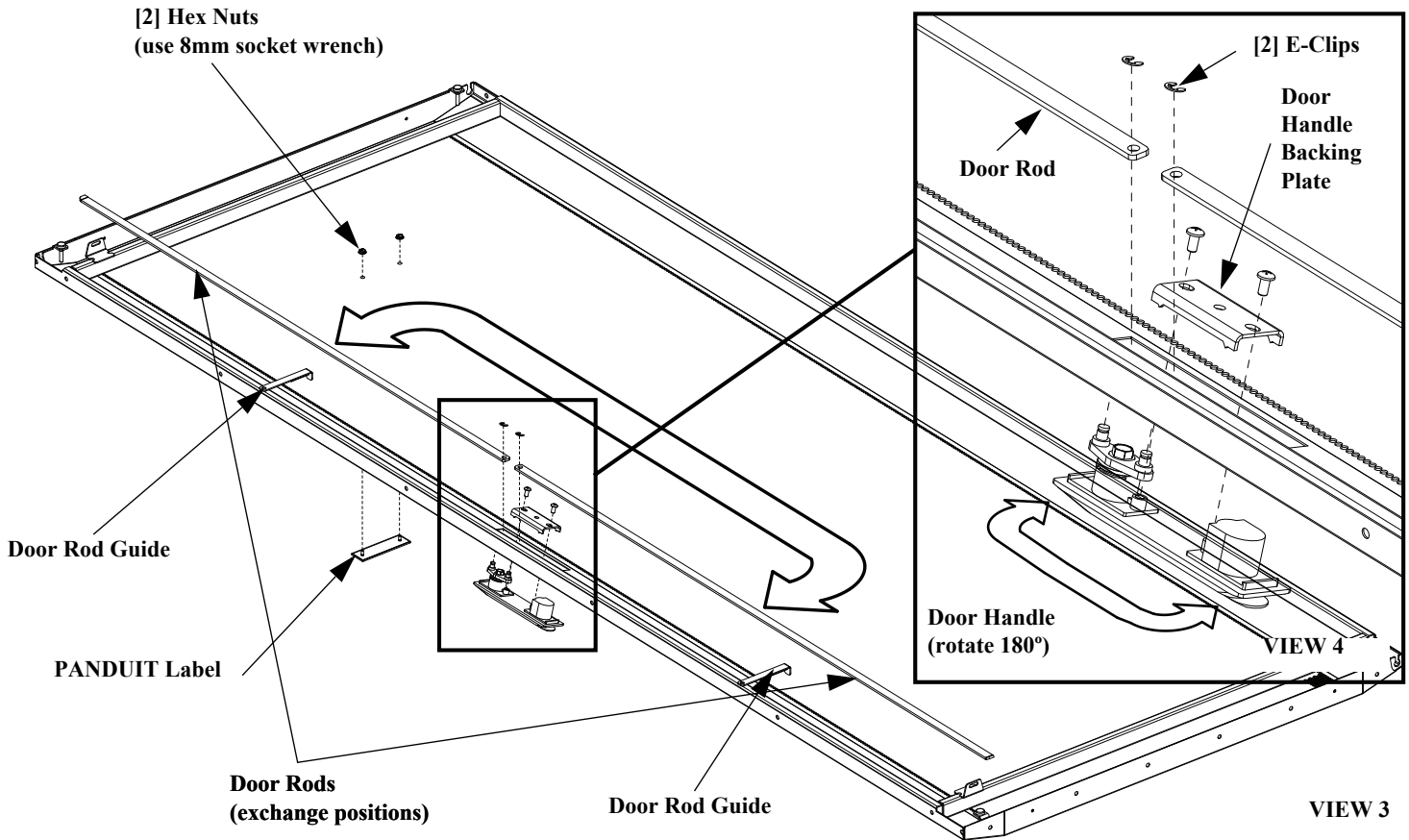
[2] M4 Screws
(use 2.5mm Allen Key)

Top Hinge Bracket



M6 Torx Screw
(use T30 Torx bit)

Bottom Hinge Bracket



VIEW 3

[2] E-Clips

Door Handle Backing Plate

Door Rod

Door Handle
(rotate 180°)

VIEW 4

[2] Hex Nuts
(use 8mm socket wrench)

Door Rod Guide

PANDUIT Label

Door Rods
(exchange positions)

Door Rod Guide

For Instructions in Local Languages
and Technical Support:

www.panduit.com/resources/install_maintain.asp

PANDUIT[®]
www.panduit.com

E-mail:
techsupport@panduit.com
Phone:
866-405-6654