

|   |                                       |    |      |                                      |
|---|---------------------------------------|----|------|--------------------------------------|
| Product designation                                       |                                       |    |      | Rotary cam switches                  |
| Product type designation                                  |                                       |    |      | GN200                                |
| <b>General characteristics</b>                            |                                       |    |      |                                      |
| Switching diagram   |                                       |    |      | 12 - Star-delta motor starter switch |
| N° of elements  |                                       |    |      | 4                                    |
| Mounting form   |                                       |    |      | O - Rear mounting with black handle  |
| <b>Contact characteristics</b>                            |                                       |    |      |                                      |
| Rated insulation voltage $U_i$                            | IEC/EN                                | V  | 690  |                                      |
|   | UL/CSA                                | V  | 600  |                                      |
| Rated impulse withstand voltage $U_{imp}$                 |                                       | kV | 8    |                                      |
| Conventional free air thermal current $I_{th}$            | IEC/EN                                | A  | 200  |                                      |
|   | UL/CSA                                | A  | 200  |                                      |
| Rated operational voltage                                 |                                       | V  | 690  |                                      |
| Rated operational impulse voltage                         |                                       | kV | 6    |                                      |
| Maximum fuse size for short-circuit protection $I_n$ (gG) | 10kA                                  | A  | 200  |                                      |
|   | 15kA                                  | A  | 200  |                                      |
| Rated short time current $I_{cw}$                         | 1s                                    | A  | 3300 |                                      |
| Operational current $I_e$ IEC/EN<br>AC1/AC21A             |                                       | A  | 200  |                                      |
| Rated operational power in AC<br>Three-phase AC-3         | 220/230V                              | kW | 27.5 |                                      |
|   | 380/440V                              | kW | 47   |                                      |
| Rated operational current in DC<br>DC21A                  | 48V                                   | A  | 200  |                                      |
|   | 60V                                   | A  | 200  |                                      |
|   | 110V                                  | A  | 35   |                                      |
|   | 220V                                  | A  | 2.5  |                                      |
|   | 440V                                  | A  | 0.9  |                                      |
| Power dissipation   |                                       | W  | 26   |                                      |
| <b>Mechanical features</b>                                |                                       |    |      |                                      |
| Terminals screw   |                                       |    |      | M10                                  |
| Tightening torque for terminals max                       |                                       |    |      | Nm 10                                |
| Conductor size  | AWG - Rigid cable                     |    |      | Max AWG 1X3                          |
|   | AWG - Flexible cable                  |    |      | Max AWG 0                            |
|   | Conductor size (IEC) - Flexible cable |    |      | Max mm <sup>2</sup> 1X95             |
|   | Conductor size (IEC) - Rigid cable    |    |      | Max mm <sup>2</sup> 1X95             |

Mechanical life cycles 2X10<sup>5</sup>

**UL technical data**

|   |      |    |     |
|---|------|----|-----|
| Motor power for direct-on-line control<br>for three-phase motor | 120V | HP | 30  |
|   | 240V | HP | 50  |
|   | 480V | HP | 100 |
|   | 600V | HP | 75  |
| for single-phase motor  | 120V | HP | 15  |
|   | 240V | HP | 30  |

**Ambient conditions**

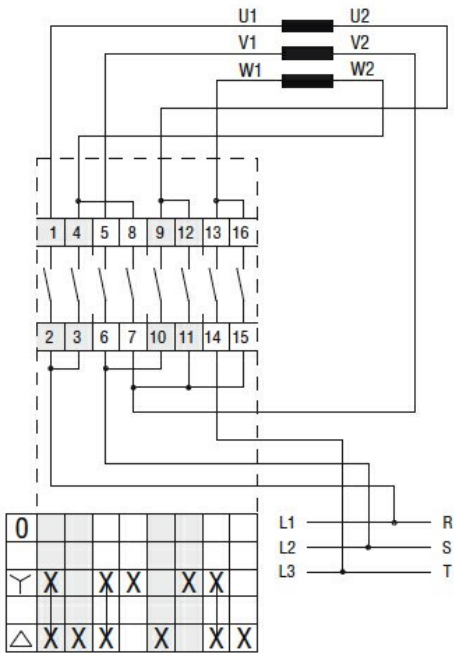
|             |                       |     |    |     |
|-------------|-----------------------|-----|----|-----|
| Temperature | Operating temperature | min | °C | -25 |
|             |                       | max | °C | +55 |
|             | Storage temperature   | min | °C | -40 |
|             |                       | max | °C | +70 |

**Resistance & Protection**

|                     |      |
|---------------------|------|
| Frontal IP degree   | IP40 |
| Terminals IP degree | IP00 |

**Dimensions**

**Wiring diagrams**



**Certifications and compliance**

|            |                     |
|------------|---------------------|
| Compliance | IEC/EN/BS 60947-1   |
|            | IEC/EN/BS 60947-3   |
|            | IEC/EN/BS 60947-5-1 |
|            | UL60947-4-1         |

Certificates UR

**ETIM classification**

ETIM 8.0

EC001029 -  
Selector switch,  
complete