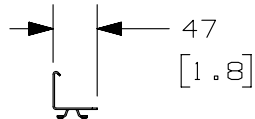
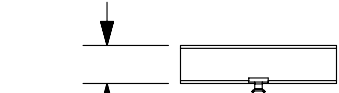
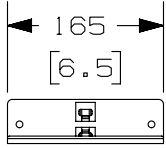
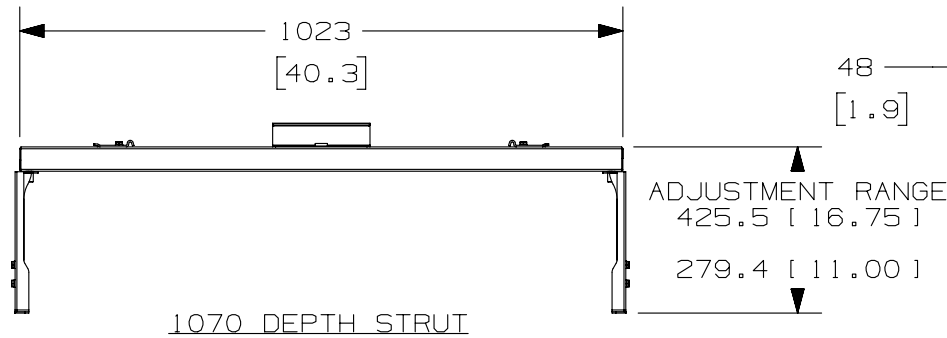
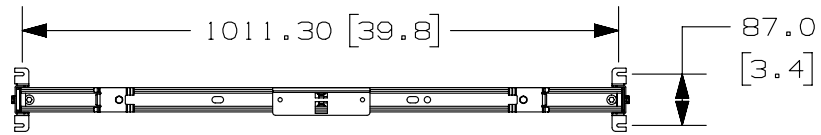


THIS COPY IS PROVIDED ON A RESTRICTED BASIS AND IS NOT TO BE USED IN ANY WAY DETRIMENTAL TO THE INTERESTS OF PANDUIT CORP.

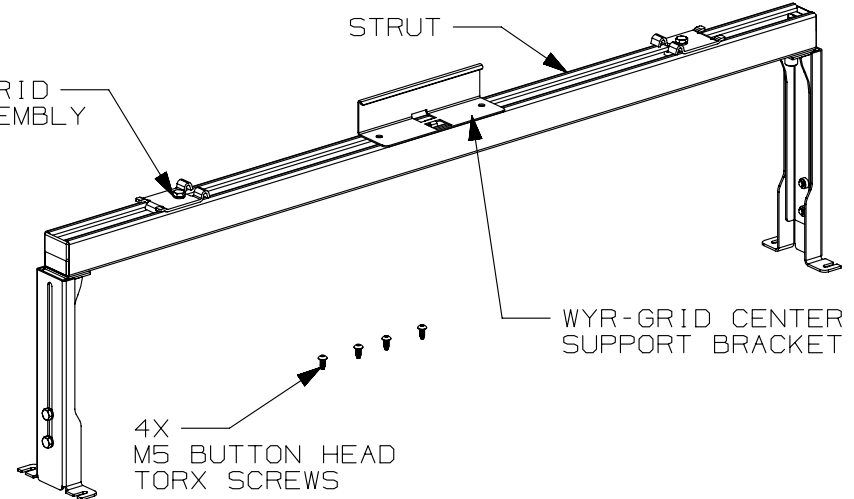
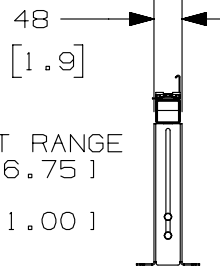


WYR-GRID CENTER SUPPORT BRACKET



1070 DEPTH STRUT

FIBERRUNNER/WYR-GRID QUIKLOCK CLIP ASSEMBLY



NOTES:

- VISIT OUR ON-LINE CATALOG AT WWW.PANDUIT.COM FOR A LIST OF CURRENT PARTS APPLICABLE FOR USE WITH THIS PRODUCT.
- THE WYR-GRID CABINET MOUNT BRACKET 1070 PACKAGE CONTAINS THE FOLLOWING:
 - ONE (1) WYR-GRID CENTER SUPPORT BRACKET
 - TWO (2) WYR-GRID UPRIGHT SUPPORT BRACKETS
 - TWO (2) FIBERRUNNER/WYR-GRID QUIKLOCK CLIP ASSEMBLY
 - ONE (1) TOP OF CABINET 1070 DEPTH STRUT ASSEMBLY
 - TWO (2) M10 X 1.5 X 30 SOCKET HEAD CAP SCREW
 - TWO (2) M10 HELICAL SPRING LOCKWASHER
 - FOUR (4) M5 BUTTON HEAD TORX SCREWS
- ALL DIMENSIONS IN PARENTHESES ARE INCHES.

TITLE		WYR-GRID CABINET MOUNT BRACKET 1070 (WGCMK1070**)		
CUSTOMER DRAWING				
ITEM REVISION NAME		14D419AE/01		
DATASET FILE NAME		14D419AE_DC/01A WGCMK1070**		
UNLESS OTHERWISE SPECIFIED, DIMENSIONAL TOLERANCES ARE:		MATERIAL:		
INCHES	METRIC - MILLIMETER	N/A		
X.X +/- 0.18	X +/- 0.57	ANGLE		
X.XX +/- 0.10	X.X +/- 2.54	+/- 1°		
X.XXX +/- 0.036	X.XX +/- 0.92			
DRAWING NUMBER:		14D419AE-DC		
THIRD ANGLE PROJECTION				
DRAWN BY	DATE	CHK	SCALE	SIZE
TWV	12-16-14	DWR	NONE	A

01A	12-16-14	TWV	DWR	RELEASED TO PRODUCTION	V09000DB	
REV	DATE	BY	CHK	APR	DESCRIPTION	ECN