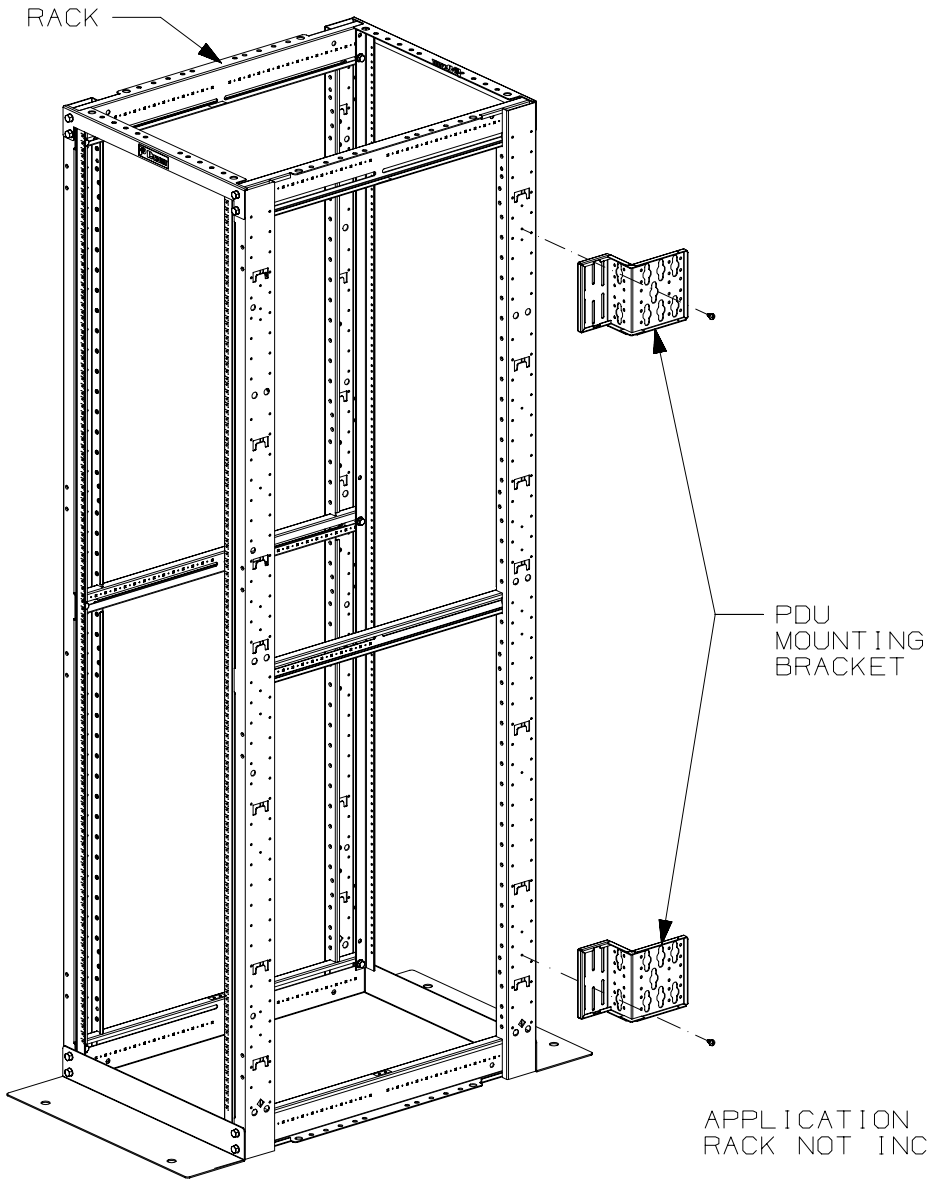
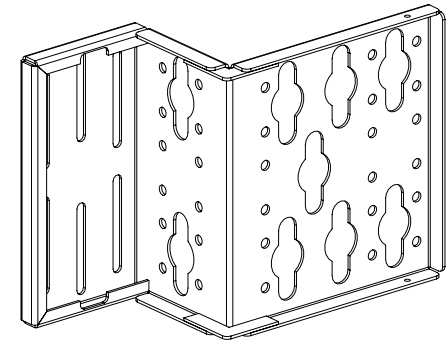


THIS COPY IS PROVIDED ON A RESTRICTED BASIS AND IS NOT TO BE USED IN ANY WAY DETRIMENTAL TO THE INTERESTS OF PANDUIT CORP.



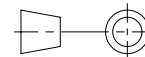
PANDUIT PART NO.	WEIGHT
CVPDUB	2.7 LBS/EACH 1.2 Kg/EACH
CVPDUBWH	2.7 LBS/EACH 1.2 Kg/EACH

1. VISIT OUR ON-LINE CATALOG AT WWW.PANDUIT.COM FOR A LIST OF CURRENT PARTS APPLICABLE FOR USE WITH THIS PRODUCT.
2. DIMENSIONS IN PARENTHESSES
3. PARTS SUPPLIED:
1- PAIR OF PDU MOUNTING BRACKETS
1- HARDWARE KIT
4. FULLY BONDED STRUCTURE WHEN ASSEMBLED PER INSTRUCTIONS.
5. SEE INSTALLATION INSTRUCTIONS CM344** FOR EXACT MOUNTING LOCATIONS.



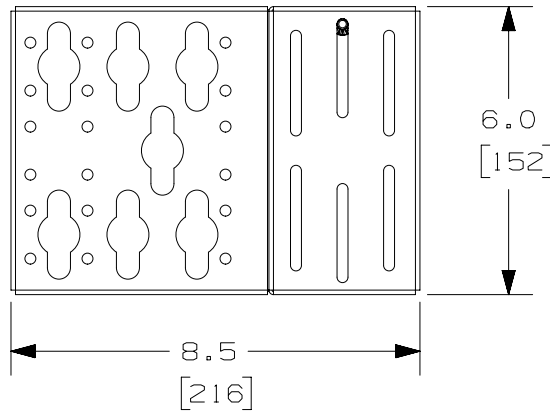
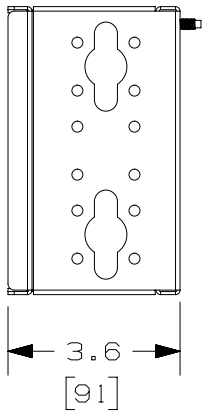
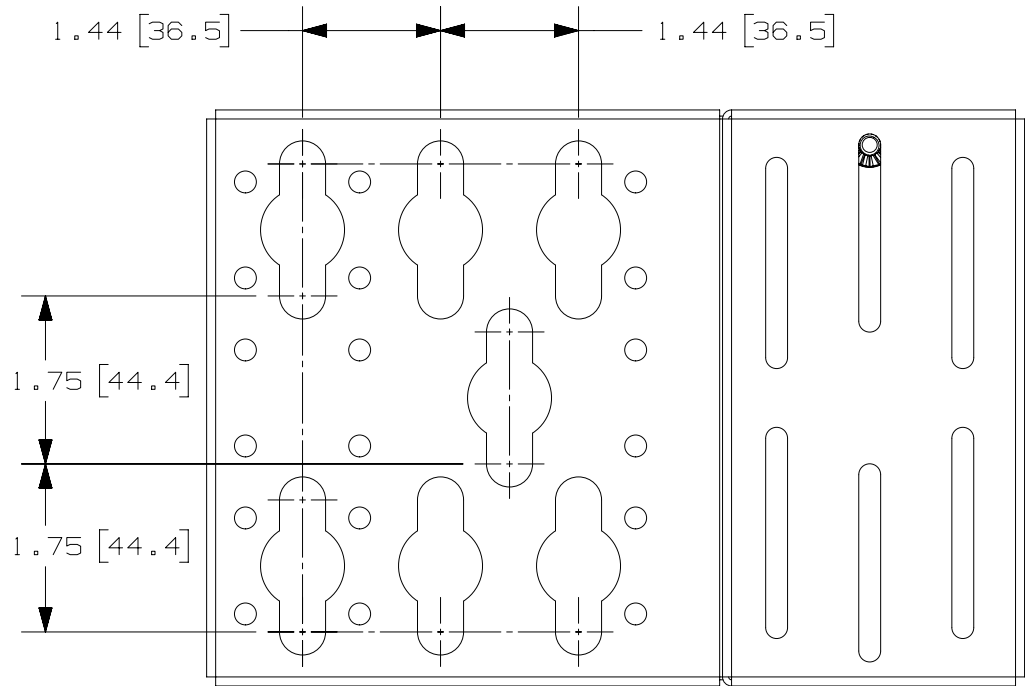
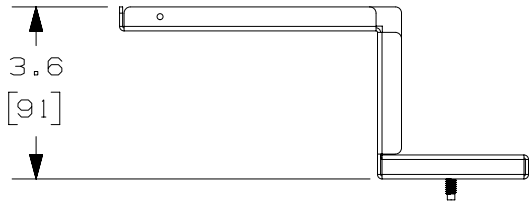
TITLE									
PDU VERTICAL MOUNTING BRACKET (CVPDUB AND CVPDUBWH)									
CUSTOMER DRAWING									
ITEM REVISION NAME					V10502ZH/04				
DATASET FILE NAME					V10502ZH_DC/04A				
UNLESS OTHERWISE SPECIFIED, DIMENSIONAL TOLERANCES ARE:								MATERIAL:	
								STEEL	
								DRAWING NUMBER:	
								V10502ZH-DC	
DRAWN BY		DATE		CHK		SCALE		SIZE	
TWV		2-20-12		NAGL		NONE		SHT 1 OF 2	

04A	8-22-19	BAME	JEFK		ADDED P/N CVPDUBWH	V10502ZH-DC
03B	5-1-17	TWV	JEFK		REPLACED CABINET WITH 4 POST RACK	V10502ZH-DC
03A	2-20-12	TWV	NAGL		P/N: WAS V10502CU-DC	V10502ZH-DC
REV	DATE	BY	CHK	APR	DESCRIPTION	ECN



THIRD ANGLE
PROJECTION

THIS COPY IS PROVIDED ON A RESTRICTED BASIS AND IS NOT TO BE USED IN ANY WAY DETRIMENTAL TO THE INTERESTS OF PANDUIT CORP.



TITLE		PDU VERTICAL MOUNTING BRACKET (CVPDUB AND CVPDUBWH)		
		CUSTOMER DRAWING		
ITEM REVISION NAME		V10502ZH/04		
DATASET FILE NAME		V10502ZH_DC/04A		
UNLESS OTHERWISE SPECIFIED, DIMENSIONAL TOLERANCES ARE:		MATERIAL:		
		STEEL		
DRAWN BY		DATE		DRAWING NUMBER:
TWV		2-20-12		V10502ZH-DC
CHK		SCALE		
NAGL		NONE		
THIRD ANGLE PROJECTION		SHT 2 OF 2		
REV		DATE		SIZE
A		A		A

REV	DATE	BY	CHK	APR	DESCRIPTION	ECN
04A	8-22-17	BAME	JEFK		SEE SHEET 1 OF 2 FOR REVISIONS	V10502ZH-DC
03B	5-1-17	TWV	JEFK		SEE SHEET 1 OF 2 FOR REVISIONS	V10502ZH-DC
03A	2-20-12	TWV	NAGL		SEE SHEET 1 OF 2 FOR REVISIONS	V10502ZH-DC