

Part number

# MKAX IAF25



Angled Bulkhead mounting housing, CKA series, with 1 lever, M25 fixing thread, size "21.21"

Product description		Material properties	
<b>Product type</b>	Angled bulkhead mounting housing	<b>Main material</b>	Zinc die-cast
<b>Series</b>	CKA	<b>Other materials</b>	Lever: Stainless steel Gasket: TPE
<b>Closing type</b>	With 1 lever	<b>Colour</b>	RAL 7040 grey
<b>Size</b>	Size "21.21"	<b>RoHs conformity</b>	Compliant
<b>Cable entry</b>	Round threaded appendix M25	<b>China RoHs - EFUP</b>	E
Technical data		<b>REACH SVHC substances</b>	No
<b>IP degree of protection</b>	IP44 - IP66 / IP67 / IP69 with CKR 65 (D)	Approvals / Standards	
Further technical details		<b>UL</b>	ECBT2
<b>Weight</b>	41,50 g	<b>cUL</b>	ECBT8
<b>Operating temperature range (min, max)</b>	-40°C...+125°C	General ordering information	
		<b>EAN13 code</b>	8015747175180
		<b>eCl@ss 8.1</b>	27440202
		<b>ETIM 7.0</b>	EC000437
		Packaging Information	
		<b>Sub-packaging length</b>	185,00 mm
		<b>Sub-packaging height</b>	40,00 mm
		<b>Sub-packaging width</b>	155,00 mm
		<b>Sub-packaging weight</b>	0,42 kg
		<b>Sub-packaging volume</b>	1,15 dm <sup>3</sup>
		<b>Sub-packaging description</b>	Carton box
		<b>Sub-packaging quantity</b>	10 Pcs
		<b>Sub-packaging EAN barcode</b>	8015747175197

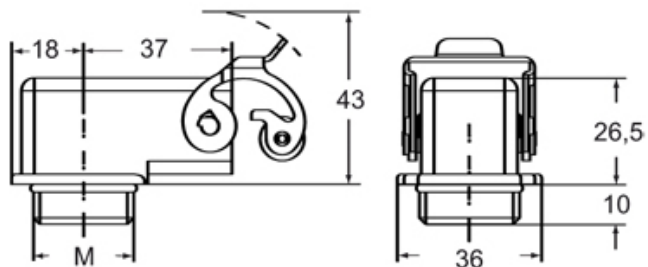
Part number

# MKAX IAF25

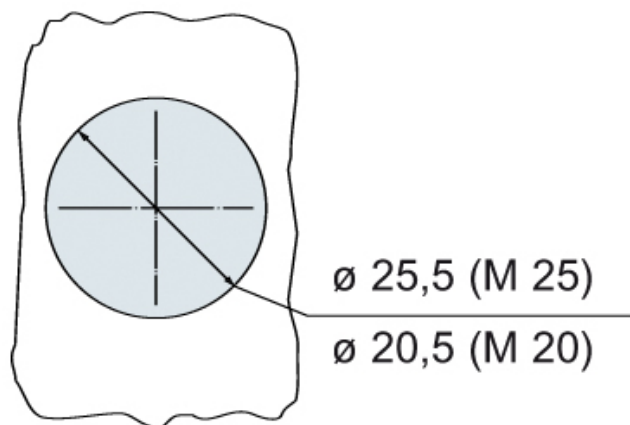


Catalogue drawings

**MKAX IAF**



Catalogue drawings



## Notes

(\*) counternut supplied on request, see catalogue cable glands (part No. AS M20N and AS M25N metal version, AS M20L and AS M25L insulating version)

Dimensions shown in mm are not binding and may be changed without notice.