
PROTECTION AND CONNECTION

Baseline

OFAZ and OFAX Fuse Bases

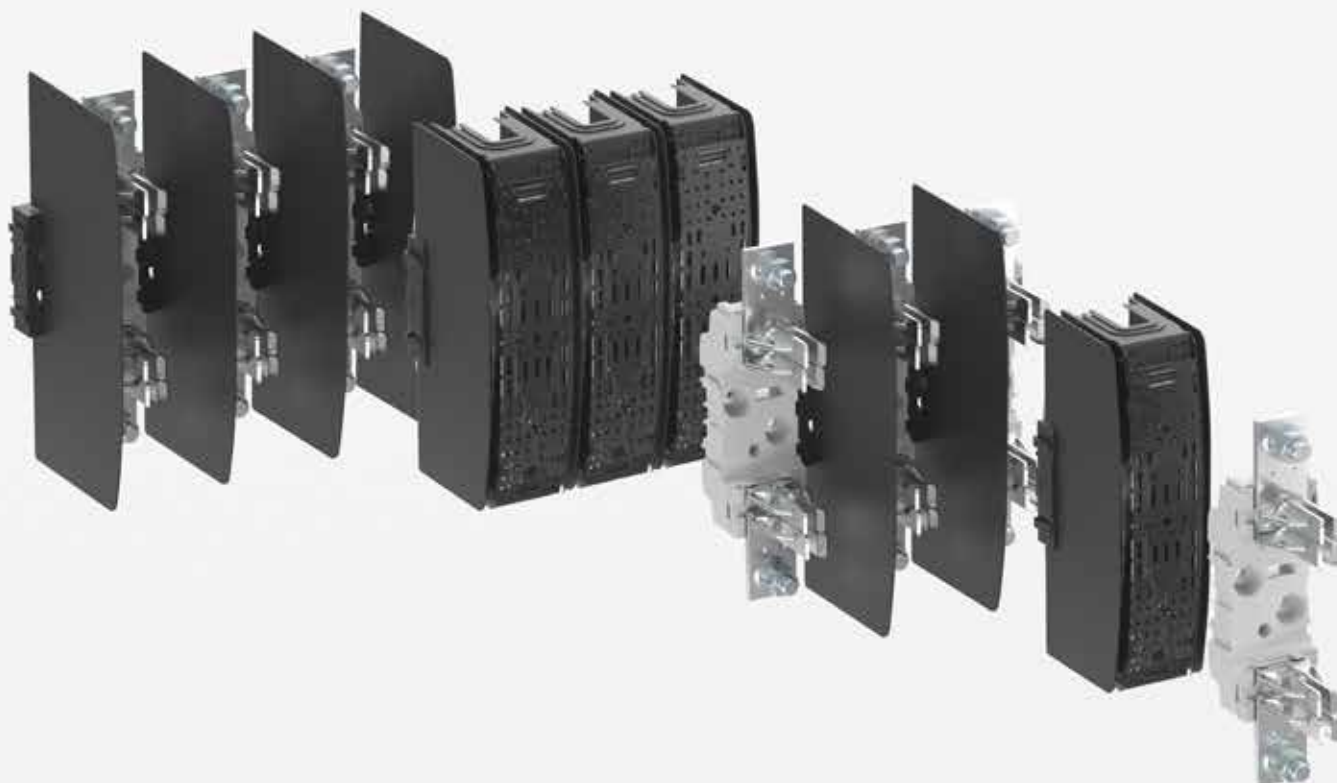


Table of contents

004	OFAZ and OFAX fuse bases
005	Part number key
006	Ordering information
007	Accessories
008	Technical data
009-012	Dimension drawings

Fuse bases

Simple and compact solution for low voltage applications

The OFAZ and OFAX plastic fuse bases fulfil the highest requirements with a total safety concept. The fuse bases can be used in combination with NH fuse-links according to IEC 60269-2 and DIN VDE 0636-2 and solid links.



Safety and protection

Fuse bases offer a compact and simple solution for application of fuses as protective elements in low voltage applications and are characterized by galvanically silver plated contacts providing reliable and high performing contact characteristics. OFAZ and OFAX fuse bases are available as open types or fully protected IP20 versions.



Easy to install

Plastic fuse bases OFAZ and OFAX for NH fuses are suitable for screw mounting. A wide range of cable terminals make the installation easy and fast. Replacement is compatible to similar types in the market.



Affordable range

Affordability has been one of the key objectives for this device. The available functionalities have been carefully selected to meet market requirements without added niche features that would elevate price. It is simple, reliable and functional.

Part number key

OFAZ00P3L

Fuse base, size

OFAZ = 000, 00, 0, 1, 2, 3

OFAZ = 4a

Protection

A Open (phase barriers only between the poles)

P Open with phase barriers

S Full protection to IP 20

Number of poles

1 1-pole

2 2-pole

3 3-pole

Note: Contact ABB for more details on the available versions.

Ordering information

Fuse bases OFAZ and OFAX

Fuse bases

Standard delivery including terminal bolt set in sizes 00-4a. ¹⁾



OFAZ00P1L

OFAZ00P3L



OFAZ00S1LA

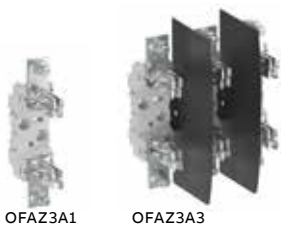
OFAZ00S2L

OFAZ1P1;
OFAZ2P1

OFAZ3P3

OFAZ1S1;
OFAZ2S1

OFAZ1S3; OFAZ2S3



OFAZ3A1

OFAZ3A3

Number of poles	Terminal Width mm	Rated current In A	Type	Order code	Packing pcs	Weight kg
-----------------	-------------------	--------------------	------	------------	-------------	-----------

Fuse bases for fuse size 000,00

Open with phase barriers IP 00

1	20	160	OFAZ00P1L	1SCA151155R1001	3	0,5
3	20	160	OFAZ00P3L	1SCA151156R1001	1	0,5

Full protection IP 20

1	20	160	OFAZ00S1L	1SCA151157R1001	3	0,6
2	20	160	OFAZ00S2L	1SCA151158R1001	1	0,4
3	20	160	OFAZ00S3L	1SCA151159R1001	1	0,6

Fuse bases for fuse size 0,1

Open with phase barriers IP 00

1	35	250	OFAZ1P1	1SCA151160R1001	3	0,1
3	35	250	OFAZ1P3	1SCA151161R1001	1	0,1

Full protection IP 20

1	35	250	OFAZ1S1	1SCA151162R1001	3	0,2
2	35	250	OFAZ1S2	1SCA151163R1001	1	0,1
3	35	250	OFAZ1S3	1SCA151164R1001	1	0,2

Fuse bases for fuse size 1,2

Open with phase barriers IP 00

1	35	400	OFAZ2P1	1SCA151165R1001	3	0,2
3	35	400	OFAZ2P3	1SCA151166R1001	1	0,2

Full protection IP 20

1	35	400	OFAZ2S1	1SCA151167R1001	3	0,2
2	35	400	OFAZ2S2	1SCA151168R1001	1	0,2
3	35	400	OFAZ2S3	1SCA151169R1001	1	0,2

Fuse bases for fuse size 2,3

Open (phase barriers only between the poles) IP 00

1	35	630	OFAZ3A1	1SCA151170R1001	3	0,2
3	35	630	OFAZ3A3	1SCA151171R1001	1	0,2

Open with phase barriers IP 00

1	35	630	OFAZ3P1	1SCA151172R1001	3	0,3
3	35	630	OFAZ3P3	1SCA151173R1001	1	0,3

Full protection IP 20

1	35	630	OFAZ3S1	1SCA151174R1001	3	0,3
2	35	630	OFAZ3S2	1SCA151175R1001	1	0,2
3	35	630	OFAZ3S3	1SCA151177R1001	1	0,3

Fuse bases for fuse size 4a

Full protection IP 20

1	60	1250	OFAX4AS1	1SCA022631R2410	1	4,2
3	60	1250	OFAX4AS31 ²⁾	1SCA022631R2500	1	12,6
3	60	1250	OFAX4AS33 ³⁾	1SCA022631R2680	1	13,0

¹⁾ OFAZ00 M8x20
OFAZ1 M10x30
OFAZ2 M10x30
OFAZ3 M12x30
OFAX4a M16x50

²⁾ 1-pole cover

³⁾ 3-pole cover

Ordering information

Accessories



OZXB2

OZXB3

OZXB4

OZXB5

OZXB6

Terminal Accessories

To be ordered separately.

For fuse base sizes	Terminal Width mm	Remarks	Type	Order code	Packing pcs
Terminal sets for Al and Cu cables. Suitable only for IP00 fuse bases (OFAZ_P_, OFAZ_A_)					
00_L	20	25...120 mm ² Al/Cu	OZXB2	1SCA022119R7610	3
1,2,3	35	70...185 mm ² Al/Cu	OZXB3	1SCA022136R8100	3
1,2,3	35	2x(70...185) mm ² Al/Cu	OZXB4	1SCA022137R4760	3
1,2,3	35	120...300 mm ² Al/Cu	OZXB5	1SCA022137R2470	3
3	35	2x(120...300) mm ² Al/Cu	OZXB6	1SCA022137R4920	3
Terminal bolt sets					
00_L	20	M8 x 20 mm	OZXE1/3E	1SCA126302R1001	6
1,2	35	M10 x 30 mm	OZXE2/3E	1SCA127688R1001	6
1,2	35	M10 x 40 mm	OZXE6/3E	1SCA126311R1001	6
3	35	M12 x 40 mm	OZXE3/3E	1SCA126305R1001	6



OFAE506

Fuse handles

For fuse sizes	Type	Order code	Packing pcs
000, 00, 0, 1, 2, 3, 4	OFAE506	1SCA128175R1001	1

Solid links

Suitable for fuse bases	Rated current In	Type	Order code	Weight kg
OFAZ00	160	OFAW00	1SCA022003R9680	0.08
OFAZ1	250	OFAW1	1SCA022003R9760	0.15
OFAZ2	400	OFAW2	1SCA022003R9840	0.24
OFAZ3	800	OFAW3	1SCA022003R9920	0.28
OFAZ4a	1250	OFAW4a	1SCA148430R1001	0.665



OFAW00



OFAW1



OFAW2



OFAW3

Technical data

	OFAZ00_	OFAZ1_	OFAZ2_	OFAZ3_	OFAX4_
Fuse size	NH00, NH000	NH0, NH1	NH1, NH2	NH2, NH3	NH4a
Rated insulation voltage U_i	1000 VAC/DC	1000 VAC/DC	1000 VAC/DC	1000 VAC/DC	800 VAC/DC
Rated operational voltage U_e	690 VAC	690 VAC	690 VAC	690 VAC	
Rated current I_n	160 A	250 A	400 A	630 A	1250 A
Conv. free air thermal current with fuse links I_{th}	160 A	250 A	400 A	630 A	1250 A
Conv. free air thermal current with solid links I_{th}	200 A	320 A	500 A	800 A	1250 A
Rated frequency	40-60 Hz	40-60 Hz	40-60 Hz	40-60 Hz	50 Hz
Max. permis. power dissipation per fuse link Pa	12 W	32 W	45 W	60 W	190 W
Current derating factors for max. temperature ¹⁾	35 °C	1	1	1	1
	40 °C	0,95	0,95	0,95	0,95
	50 °C	0,85	0,85	0,85	0,85
Ambient temperature range T_{amb}	-25 ...+55 °C	-25 ...+55 °C	-25 ...+55 °C	-25 ...+55 °C	-40 ... +55 °C
Rated operating mode	Uninterrupted	Uninterrupted	Uninterrupted	Uninterrupted	Uninterrupted
Mounting position	Vertical, horizontal	Vertical, horizontal	Vertical, horizontal	Vertical, horizontal	Vertical, horizontal
Pollution degree	3	3	3	3	3
Overvoltage category	III	III	III	III	IV
Degree of protection	IP00 without covers, IP20 with covers	IP00 without covers, IP20 with covers	IP00 without covers, IP20 with covers	IP00 without covers, IP20 with covers	IP2X (Front)
Standards	IEC60269-2, DIN VDE 0636, DIN 43620	IEC60269-2, DIN VDE 0636, DIN 43620	IEC60269-2, DIN VDE 0636, DIN 43620	IEC60269-2, DIN VDE 0636, DIN 43620	IEC60269-2, DIN VDE 0636, DIN 43620

¹⁾ OFAZ_ and OFAX4_ types fuse bases derating needed as follows, please contact us for further information.

Catalog: Fuse link

DIN-type HRC-fuse links can be used with fuse bases OFAZ00, OFAZ1, OFAZ2, OFAZ3 and OFAX4. For more information refer to the catalog Fusegear, code 1SCC317001C0201.

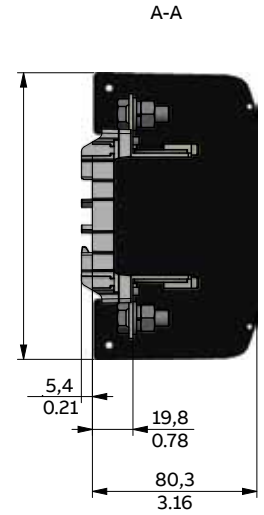
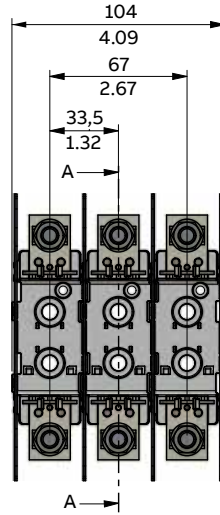
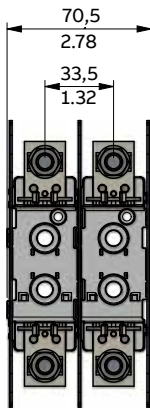
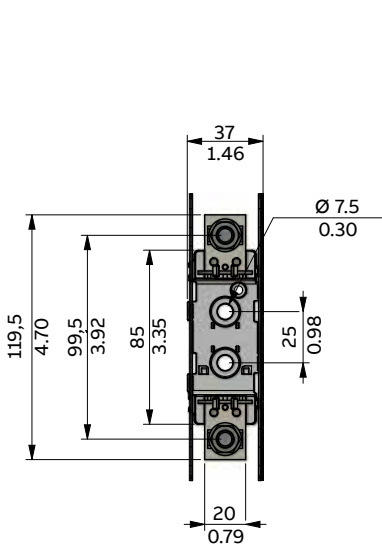


Dimension drawings

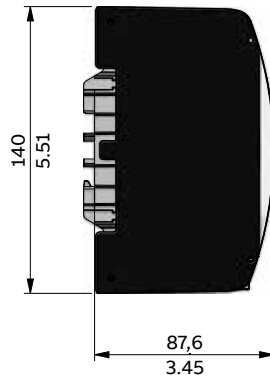
Fuse bases OFAZ00_

mm
in

OFAZ00P_

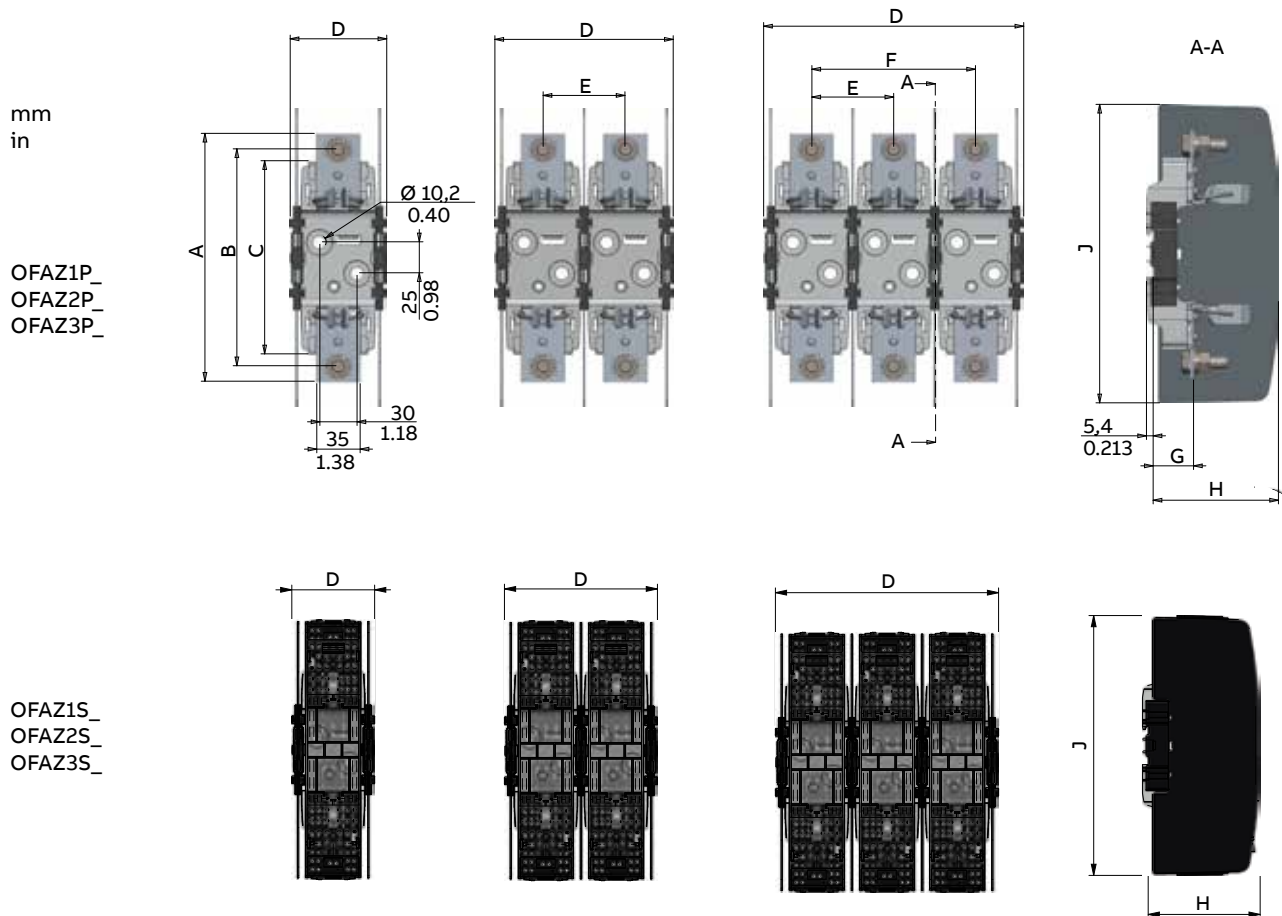


OFAZ00S_



Dimension drawings

Fuse bases OFAZ1/2/3_

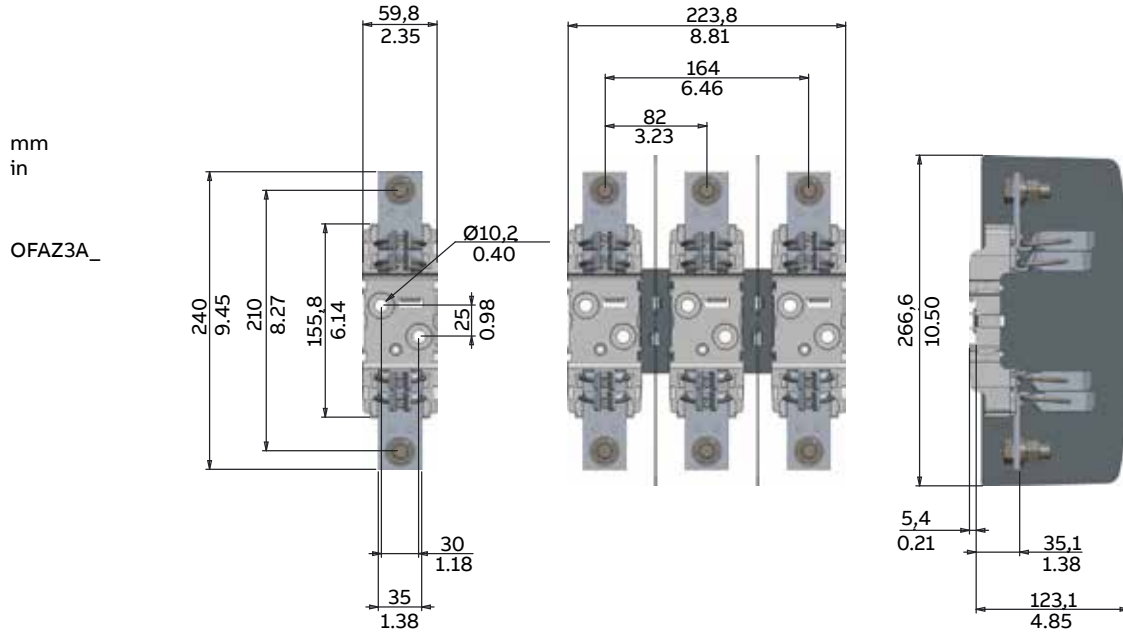


	OFAZ1P1/S1		OFAZ1P2/S2		OFAZ1P3/S3		OFAZ2P1/S1		OFAZ2P2/S2	
A	200/7,87		200/7,87		200/7,87		225/8,86		225/8,86	
B	175/ 6,89		175/6,89		175/6,89		200/7,87		200/7,87	
C	155,8/6,14		155,8/6,14		155,8/6,14		155,8/6,14		155,8/6,14	
D	77,9/3,07		143,9/5,67		209,9/8,26		77,9/3,07		143,9/5,67	
E			66/2,60		66/2,60				66/2,60	
F					132/5,20					
G	32,6/1,28		32,6/1,28		32,6/1,28		32,6/1,28		32,6/1,28	
H	101,1/3,98	105,3/4,15	101,1/3,98	105,3/4,15	101,1/3,98	105,3/4,15	108,6/4,28	113,8/4,48	108,6/4,28	113,8/4,48
J	241/9,49	244,4/9,62	241/9,49	244,4/9,62	241/9,49	244,4/9,62	265,8/10,46	269,4/10,61	265,8/10,46	269,4/10,61

	OFAZ2P3/S3		OFAZ3P1/S1		OFAZ3P2/S2		OFAZ3P3/S3	
A	225/8,86		240/9,45		240/9,45		240/9,45	
B	200/7,87		210/8,27		210/8,27		210/8,27	
C	155,8/6,14		155,8/6,14		155,8/6,14		155,8/6,14	
D	209,9/8,26		109,9/4,33		191,9/7,56		273,9/10,78	
E	66/2,60				82/3,23		82/3,23	
F	132/5,20						164/6,46	
G	32,6/1,28		35,1/1,38		35,1/1,38		35,1/1,38	
H	108,6/4,28	113,8/4,48	123,1/4,85	128,5/5,06	123,1/4,85	128,5/5,06	123,1/4,85	128,5/5,06
J	265,8/10,46	269,4/10,61	266,6/10,5	270,2/10,64	266,6/10,5	270,2/10,64	266,6/10,5	270,2/10,64

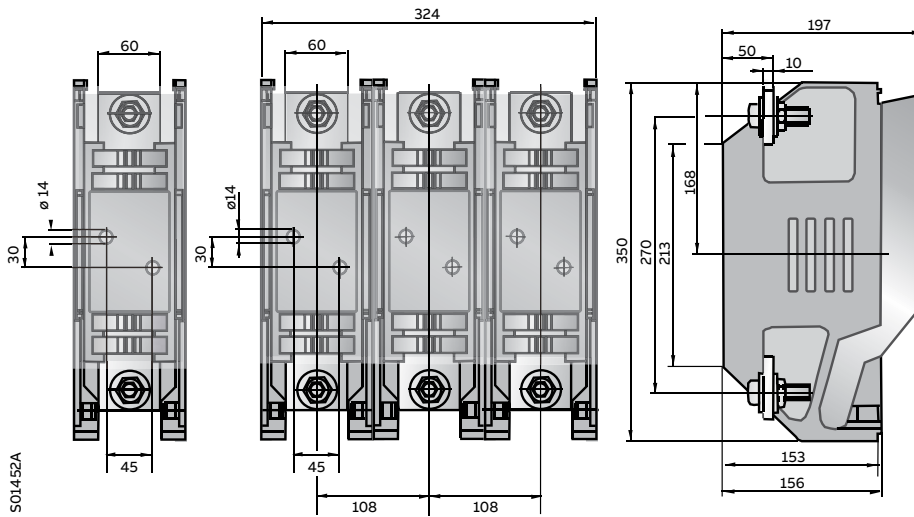
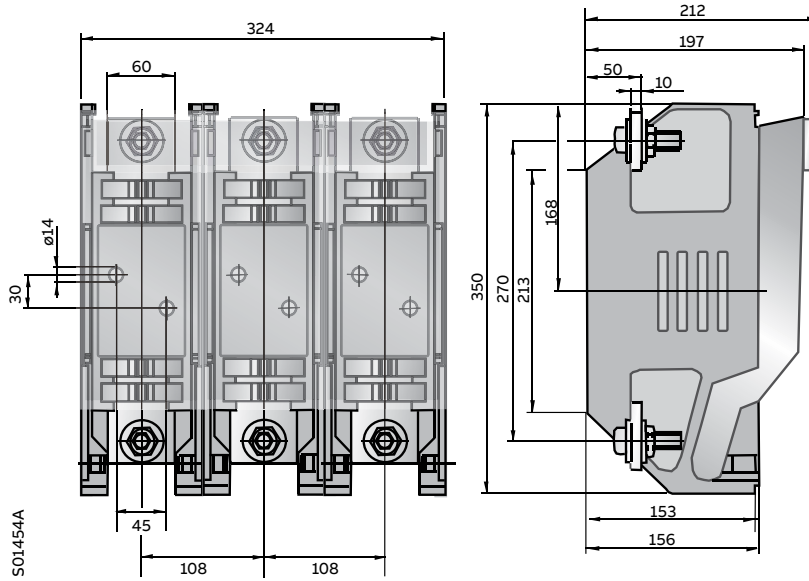
Dimension drawings

Fuse bases OFAZ3A_



Dimension drawings

Fuse bases OFAX4A_



Additional information

We reserve the right to make technical changes or modify the contents of this document without prior notice. With regard to purchase orders, the agreed particulars shall prevail. ABB AG does not accept any responsibility whatsoever for potential errors or possible lack of information in this document.

We reserve all rights in this document and in the subject matter and illustrations contained therein. Any reproduction, disclosure to third parties or utilization of its contents – in whole or in parts – is forbidden without prior written consent of ABB AG.

—
ABB Oy
Smart Power

www.abb.com

Find the address of your local sales
organization on the ABB homepage:

www.abb.com/contacts
> Low Voltage Products and Systems

